

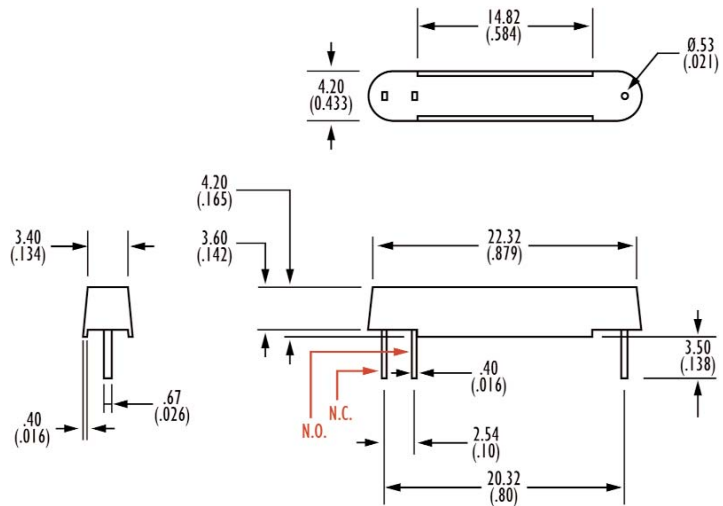
Part Number : PPS 175C
Polypropylene Moulded Reed Switch - Change Over Contact
Product Data Sheet

PICTURE **DIMENSIONS**



✓ RoHS Compliant

This product is fully sealed to give maximum protection and minimise the ingress of dust and moisture. As a guide, the product is expected to meet the requirements of IP65.



Drawings not to scale
 All dimensions in mm(inches) nominal

SPECIFICATIONS

Contact Form/Style	Change Over
Switching Voltage	100 VAC
Switching Current	0.5 A
Switching Capacity (Resistive)	5 VA
Contact Resistance	150 mOhms Max.
Switch AT before crop & from	15-50 AT (configurable)
Switching Distance	Dependent on magnet
Operating Temperature	-20 +110 °C Deg.
Case Material	Polypropylene

REV. NO.	REVISION NOTE	DATE	SIGNATURE
-	Original	23-04-07	LG

Take a look at our variety of products



FORM AE043 ISS.2 As part of the company policy of continued product improvement, specifications may change without notice. Our sales office will be pleased to help you with the latest information on this product range and the details of our full design and manufacturing service. All products are supplied to our standard conditions of sale unless otherwise agreed in writing.



Phone : +44 (0)1255 862236 **www.assemtech.co.uk** **Fax: +44 (0)1255 862014**

©2007 Copyright Assemtech Europe Ltd, Unit 7, Rice Bridge Industrial Estate, Thorpe - Le - Soken, Essex, CO16 0HL, ENGLAND.
 USA: + 1 973 777 6900 - Belgium: + 32 (0)12 390400 - France: + 33 (0) 1 43 96 86 10