

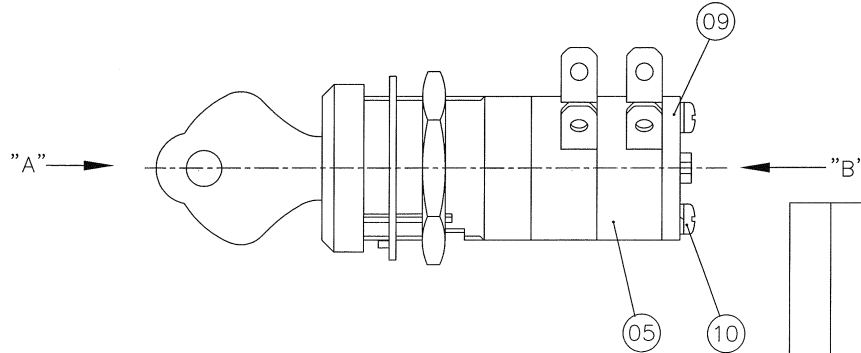
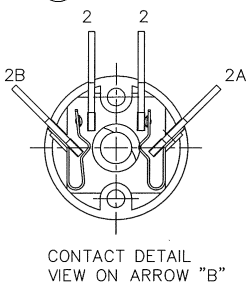
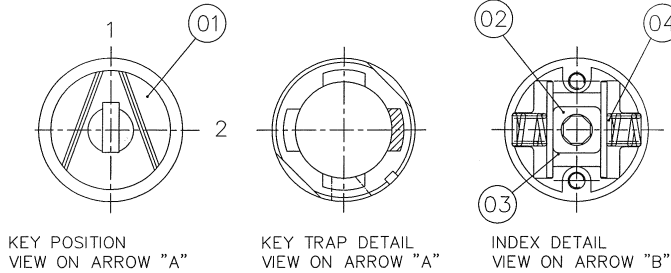
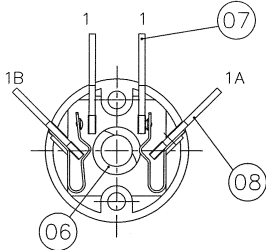
© THIS DRAWING IS THE PROPERTY OF SAIA-BURGESS GATESHEAD AND MUST NOT BE USED OR COPIED, ENTIRELY OR IN PART, WITHOUT THE PERMISSION OF SAIA-BURGESS GATESHEAD. ©

Drq No :- F 60771

**FINAL ASSEMBLY**

NO OFF	ITEM No	DRG No	DESCRIPTION
1	01	MS 65345	LOCK ASSEMBLY
1	02	MS 68178	INDEX CAM
2	03	MS 68182	INDEX SHOE
2	04	MS 68184	INDEX SPRING
2	05	MS 68197	PACKET
2	06	MS 68200	CAM
4	07	MS 68207	INLAID TERMINAL
4	08	MS 68209	CONTACT ARM SA
1	09	MS 68219	BACK PLATE
2	10	MS 68438	SEMS SCREW

**SPECIFICATION**



**DIAGRAM OF CONNECTIONS**

CON POS	1-1A	1-1B	2-2A	2-2B
1	X	X		
2		X	X	

1	FIRST ISSUE	10/09/02
ISSUE	REVISION	DATE

**saia-burgess**

Smart solutions for comfort and safety  
 Saia-Burgess Gateshead Limited  
 Dukesway, Team Valley Trading Estate  
 Gateshead, Tyne & Wear NE11 0UB  
 Tel: +44 (0) 191 401 6100  
 Fax: +44 (0) 191 401 6322  
 www.saia-burgess.co.uk

THIRD ANGLE PROJECTION

DO NOT SCALE!  
 THIS DRAWING MUST ONLY BE AMENDED ON A CAD SYSTEM  
 ALL DIMENSIONS SPECIFIED IN MILLIMETRES

TOLERANCES UNLESS STATED:-

NO DECIMAL PLACE ±0.50  
 1 DECIMAL PLACES ±0.25  
 2 DECIMAL PLACES ±0.15  
 ANGULAR ±1°

APPROVED

DRAWN	T.BELL	CHECKED BY	<i>[Signature]</i>
DATE	10/09/02	ENGINEERING	<i>[Signature]</i>
SCALE	2/1	QUALITY ASSURANCE	<i>[Signature]</i>

TITLE / DESCRIPTION  
**P2/3F-CC-209**

Drq No :- F 60771

A3