

Keylock Switches



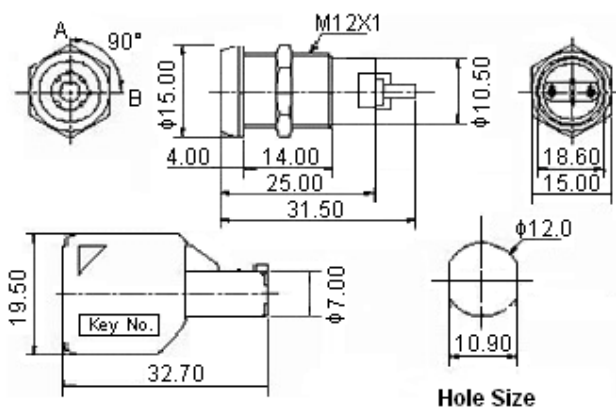
Features:

NS106-1, NS106-2 and NS106-M

- Zinc alloy keys, chrome plated with plastic cover.
- Silver plated contacts and terminals.
- 4 pins tumbler mechanism.
- NS106 2 Positions (off-on) 2 Terminals.
- NS106 2 Positions (off-on) 4 Terminals.
- NS106M 2 Positions (off-on) 2 spring loaded for momentary contact.



NS106-1, NS106-2 and NS106-M



Hole Size

Dimensions: Millimetres

Specifications:

Contact rating	: 1A @ 125V ac, 0.5A @ 250V ac.
Maximum contact resistance	: 10mΩ.
Insulation resistance	: 200MΩ minute (500V dc).
Dielectric strength	: 1,000V ac at 1 minute.
Combinations	: 200.
Housing	: Zinc alloy die cast, chrome plated.

Key-Pull Figures

- Off Position
- | Indicates Key-Pull
- Indicates No Key-Pull

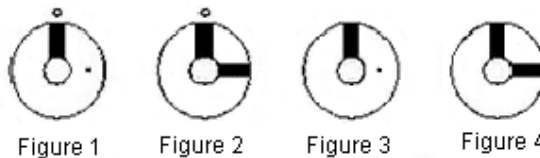


Figure Number	Lock Number	Pole	Positions	Terminals	Key Pulls	Lum	↑	↓	Type
1	NS106-1	1	2	2	1	90	Off	On	SPSI
2	NS106-2				2				
1	NS106M				1				

Dimensions: Millimetres

<http://www.farnell.com>
<http://www.newark.com>
<http://www.cpc.co.uk>



Keylock Switches

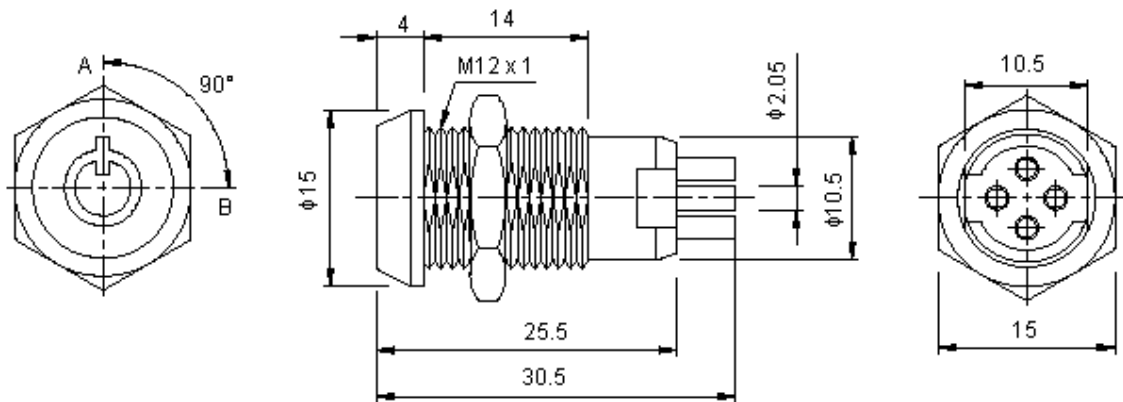


S116-1

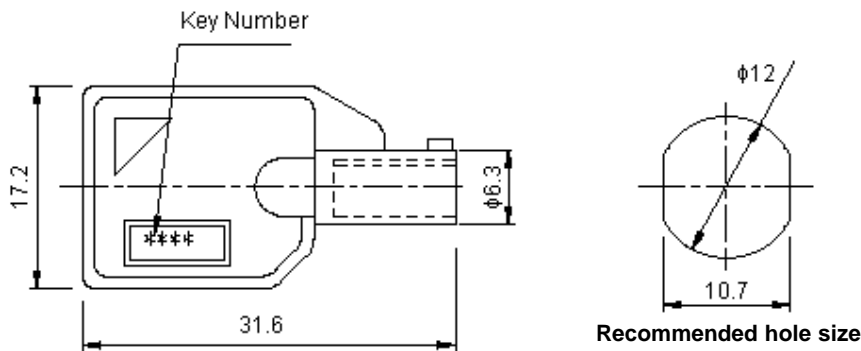
Features:

- Zinc alloy die cast housing and cylinder, chrome plated.
- Zinc alloy keys, chrome plated.
- Silver plated contacts and terminals.
- 2 positions (on-on) 4 Terminals.
- 150 Combinations available.
- Rating: 1A @ 125V ac, 0.5A @ 250 V ac.
- Met with RoHS.

Dimensions



Dimensions: Millimetres



Recommended hole size

Dimensions: Millimetres

S116-2

Features:

- Zinc alloy die cast housing and cylinder, chrome plated.
- Zinc alloy keys, chrome plated.
- Silver plated contacts and terminals.
- 2 positions (on-on) 4 terminals.
- A O'clock position (1-3 on).
- B O'clock position (2-4 on).
- 150 combinations available.
- Rating: 1A @ 125V ac, 0.5A @ 250 V ac.
- Met with RoHS.

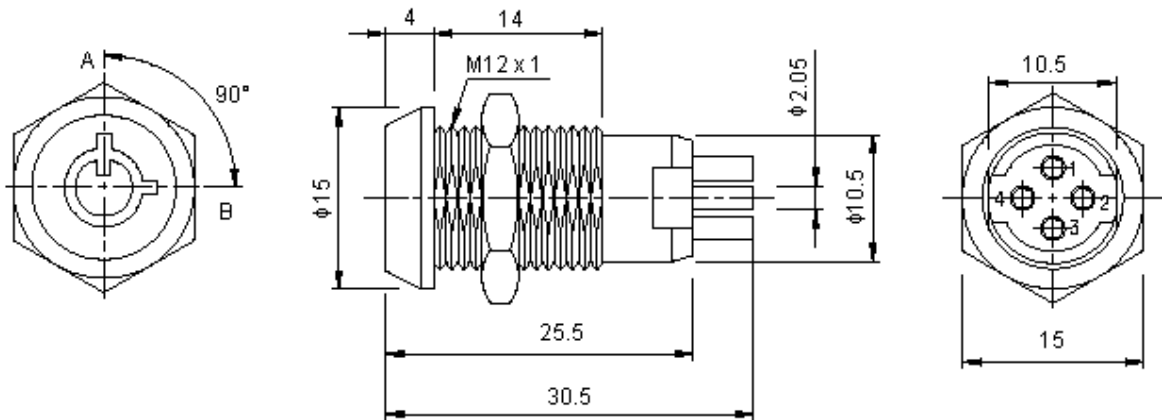
<http://www.farnell.com>
<http://www.newark.com>
<http://www.cpc.co.uk>



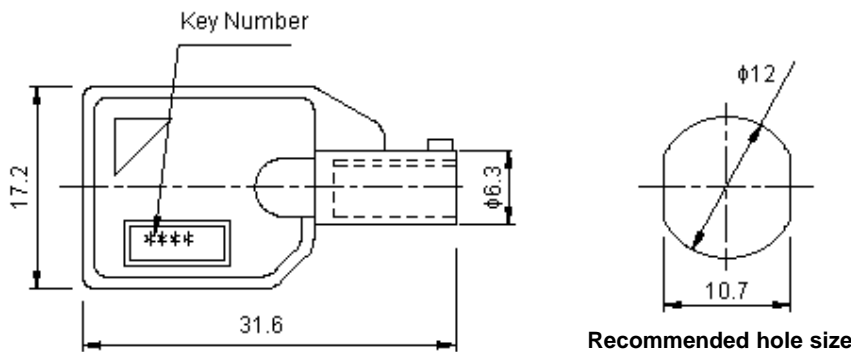
Keylock Switches



Dimensions



Dimensions: Millimetres



Recommended hole size

Dimensions: Millimetres

Part Number Table

Description	Part Number
Keyswitch, SPST, 2 Pos, RDM, 1Keypull	NS106-1
Keyswitch, SPST, 2 Pos, RDM, 2Keypull	NS106-2
Keyswitch, SPDT, 2 Pos, RDM, 1Keypull	S116-1
Keyswitch, SPDT, 2 Pos, RDM, 2Keypull	S116-2
Keyswitch, SPST, 2 Pos, MOM, RDM	NS106-M

Disclaimer This data sheet and its contents (the "Information") belong to the Premier Farnell Group (the "Group") or are licensed to it. No licence is granted for the use of it other than for information purposes in connection with the products to which it relates. No licence of any intellectual property rights is granted. The Information is subject to change without notice and replaces all data sheets previously supplied. The Information supplied is believed to be accurate but the Group assumes no responsibility for its accuracy or completeness, any error in or omission from it or for any use made of it. Users of this data sheet should check for themselves the Information and the suitability of the products for their purpose and not make any assumptions based on information included or omitted. Liability for loss or damage resulting from any reliance on the Information or use of it (including liability resulting from negligence or where the Group was aware of the possibility of such loss or damage arising) is excluded. This will not operate to limit or restrict the Group's liability for death or personal injury resulting from its negligence. SPC Multicomp is the registered trademark of the Group. © Premier Farnell plc 2009.

<http://www.farnell.com>
<http://www.newark.com>
<http://www.cpc.co.uk>

