

P2

Panel Mounted

Keylock

P2

Panel cut-out (mm) Ø 19.1

- Characteristics
- up to 12 contact pairs
 - 2 security options with key actuation
 - from 2 to 4 switch positions
 - key trapping option
 - solder terminals

Rating 250 VAC, 2 A

Dimensions (mm) Ø 22

Actuator ■ key (common or differs)

Approvals UL (optional)



Preferred Range

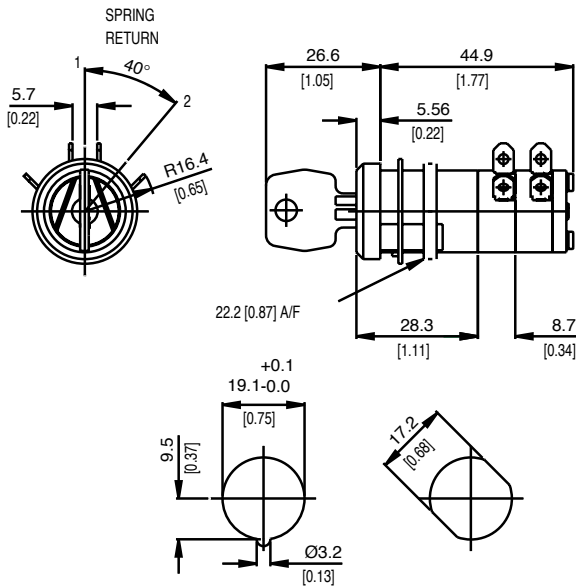
Ordering Reference	Terminal	Circuit	Actuator	Contacts	Electrical rating
P23FBA206	Screws	2 pole CO	Key	Ag	Up to 250 VAC, 2 A
P23FBA209	Screws	2 pole CO	Key	Ag	Up to 250 VAC, 2 A
P23FBC209	Screws	2 pole CO	Key	Ag	Up to 250 VAC, 2 A
P23FMA209	Screws	2 pole CO	Key	Ag	Up to 250 VAC, 2 A



Specifications

Key	Nickel silver
Body	Glass-fibre reinforced nylon
Springs	Stainless steel
Contacts	Silver
Terminals	4.8 × 0.8 mm (0.19 × 0.032 in) faston (faston) - silver-plated brass
Temperature range °C	-20°C to +85°C
Mechanical life	50,000 operations (minimum)
Mounting	Locknut and washer
Actuators	General duty keylocks
Switching function	Change-over (spring return), change-over (separate circuits)
Key indexing	90°

Dimensions



Recommended maximum electrical ratings

Voltage (max)	Resistive load (A)	Inductive load	Horsepower	Approval
125 VAC	4 (0.75 pf)	-	-	UL 1054/CSA 22.2 No. 55 - 6,000 operations
250 VAC	2 (0.75 pf)	2	-	UL 1054/CSA 22.2 No. 55 - 6,000 operations
12 VDC	10	-	-	UL 1054/CSA 22.2 No. 55 - 6,000 operations



Operating Characteristics

Switching function	Reference	Actuator Type	Code	Key trapping	Diagram
2 pole change-over, spring return	P23FBA206	Key	001	No	
	P23FMA206	Key	Production run key coding	No	
2 pole change-over, separate circuits	P23FBA209	Key	001	No	
	P23FMA209	Key	Production run key coding	No	
2 pole change-over, separate circuits	P23FBC209	Key	001	Yes	
	P23DMC209	Key - increased security	Production run key coding	Yes	

Type coding key for standard products

Basic type	P2	Example: P2	3F	B	A	2	06
Actuators	3F	Key - general duty					
Keycode	B	001 key					
	M	Production run key coding					
Key trapping	A	Key removable in all positions					
	C	Key trapped horizontally, right					
Number of poles	2	2 poles					
Switching function	06	Change-over with spring return					
	09	Change-over with separate circuits					



K2

Panel Mounted

Keyswitches

K2

Panel cut-out (mm)	Ø 19.1
Characteristics	<ul style="list-style-type: none">■ choice of off-on or change-over centre off or spring return options■ key trapping option■ solder terminals
Rating	up to 250 VAC, 2 A
Dimensions (mm)	Ø 22
Actuator	■ key (common or differs)
Approvals	UL and CSA



Preferred Range

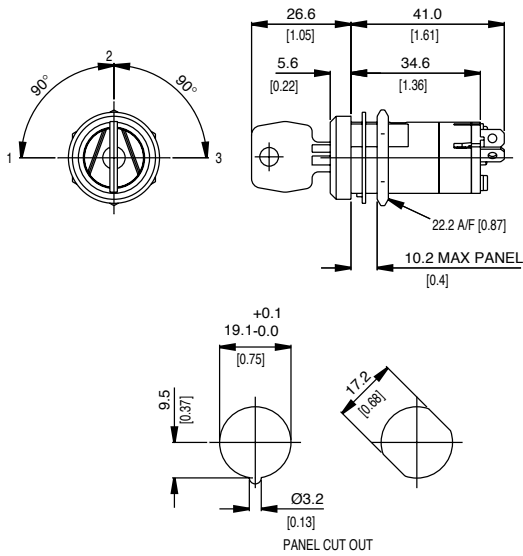
Ordering Reference	Terminal	Circuit	Actuator	Contacts	Electrical rating
K23FBA201	Screws	2 pole off-on	Key	Ag	Up to 250 VAC, 2 A



Specifications

Key	Nickel silver
Body	Glass-fibre reinforced nylon
Springs	Stainless steel
Contacts	Silver
Terminals	4.8 × 0.8 mm (0.19 × 0.032 in) faston (faston) - silver-plated brass
Temperature range °C	-20°C to +85°C
Mechanical life	50,000 operations (minimum)
Mounting	Locknut and washer
Actuators	General duty keylocks
Switching function	Off-on, change-over (centre off)
Key indexing	90°

Dimensions



Recommended maximum electrical ratings

Voltage (max)	Resistive load (A)	Inductive load	Horsepower	Approval
125 VAC	4 (0.75 pf)	-	-	UL 1054/CSA 22.2 No. 55 - 6,000 operations
250 VAC	2 (0.75 pf)	-	-	UL 1054/CSA 22.2 No. 55 - 6,000 operations
12 VDC	10	-	-	UL 1054/CSA 22.2 No. 55 - 6,000 operations



Operating Characteristics

Switching function	Reference	Actuator		Key trapping	Diagram
		Type	Code		
1 pole change-over with centre off	K23FBA123	Key	001	No	
2 pole off-on	K23FBA201	Key	001	No	

Type coding key for standard products

Basic type	K2	Example: K2	3F	B	A	2	01
Actuators	3F Key - general duty						
Keycode	B 001 key						
Key trapping	A Key removable in all positions C Key trapped horizontally; right						
Number of poles	1 1 pole 2 2 poles						
Switching function	01 Off-on 23 Change-over with centre off						

