

TREADLITE II

FOOT SWITCH



The Linemaster Treadlite II offers reliable, high quality, long-life performance. The rugged formed steel low profile housing ergonomically helps reduce operator fatigue. The non-skid cover and

base pads provide for a sure and stable actuation. Available as a single, twin, triple and a wide range of OEM model variations. Momentary and maintained functions are offered in a variety of models. The Treadlite II is also offered watertight

with a Stainless Steel housing providing the added benefits of corrosion resistance, light weight strength, hygienic properties and aesthetic appeal. Full and Oversized guards are available for added protection.

LINEMASTER Switch Corporation
Tel (860) 974-1000

29 Plaine Hill Road, P.O. Box 238

Woodstock, Connecticut 06281-0238 USA
Fax (800) 974-FOOT(3668)

www.linemaster.com/ds/treadlite2/

TREADLITE II CONTROLS

CUSTOM DESIGNS FOR YOUR APPLICATIONS



FEATURES:

Compact Size and Low Profile



Easy to Operate



Adjustable Strain Relief Connector



Momentary and Maintained Function



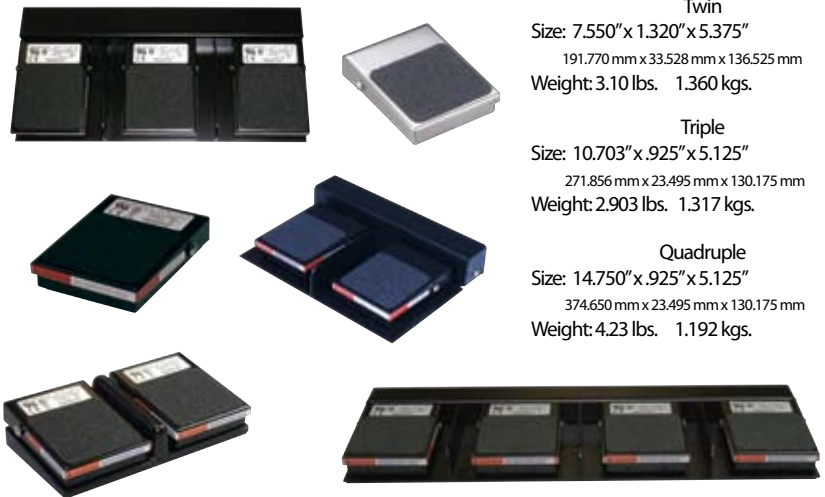
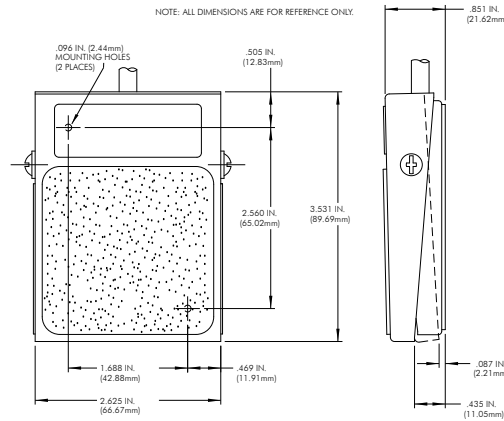
Standard Single and Twin Models with Triple and Quad OEM Variations



Stainless Steel Models Watertight to IP68



Full and Oversized Guards Available



Dimensions (W x H x D)

Single (Metal)

Size: 2.625 in x .851 in x 3.531 in
 66.675 mm x 21.615 mm x 89.687 mm
 Weight: 7 oz. .199 kgs.

Single (Stainless Steel)

Size: 2.625" x .851" x 3.531"
 66.675 mm x 21.615 mm x 89.687 mm
 Weight: 6.8 oz. .193 kgs.

Twin (without Channel)

Size: 6.125" x 1.488 x 3.562"
 155.575 mm x 37.795 mm x 90.475 mm
 Weight: 1.86 lbs. .844 kgs.

Twin

Size: 7.550" x 1.320" x 5.375"
 191.770 mm x 33.528 mm x 136.525 mm
 Weight: 3.10 lbs. 1.360 kgs.

Triple

Size: 10.703" x .925" x 5.125"
 271.856 mm x 23.495 mm x 130.175 mm
 Weight: 2.903 lbs. 1.317 kgs.

Quadruple

Size: 14.750" x .925" x 5.125"
 374.650 mm x 23.495 mm x 130.175 mm
 Weight: 4.23 lbs. 1.192 kgs.

SPECIFICATIONS

	CATALOG NUMBER	DESCRIPTION	CIRCUIT	FORM	ELECTRICAL RATINGS
	T-91-S	Momentary	SPDT	C	15 A 125-250 VAC
	TWIN T-91-S	Momentary	Each Side SPDT	C	1/2 H.P. 125-250 VAC
	T-91-D	Maintained	SPDT	C	15 A 125-250 VAC
	T-91-SC36*	Momentary	SPDT Wired N.O.	A	10 A 125-250 VAC
	T-91-DC36*	Maintained	SPDT Wired N.O.	A	1/2 H.P. 125-250 VAC
	T-91-SC36A**	Momentary	SPDT Wired N.O.	A	15 A 125-250 VAC 1/2 H.P. 125-250 VAC
	TWIN T-91-SC48***	Momentary	Both Sides SPDT Wired N.O.	A	13 A 125-250 VAC 1/2 H.P. 125-250 VAC
	T-91-SC3±	Momentary	SPDT Wired N.O.	A	10 A 125 VAC
	T-91-DC3±	Maintained	SPDT Wired N.O.	A	1/2 H.P. 125 VAC
	T-91-SC3A±±	Momentary	SPDT Wired N.O.	A	15 A 125 VAC 1/2 H.P. 125 VAC
	T-91-PS±±±	Momentary	SPST Wired N.O.	A	3 A 30 VAC Max.
	T-91-PSNC±±±	Momentary	SPST Wired N.C.	B	Class 2 Circuits Only
	T-91-SWANOS°	Momentary	SPST N.O.	A	3 A 125-250 VAC
	T-91-SWANO3S°°	Momentary	SPST Wired N.O.	A	3 A 125 VAC
	T-91-SWANO38S°°°	Momentary	SPST Wired N.O.	A	3 A 125-250 VAC

THESE ARE LOW POWER DEVICES AND MUST BE USED ONLY IN THOSE APPLICATIONS WHERE SUITABLE DESIGN CONSTRAINTS AND SAFETY PRECAUTIONS ARE MET.

* Supplied with 6 ft. 18/3 cord without plug. Green lead grounded.

** Supplied with 6 ft. 14/3 cord without plug. Green lead grounded.

*** Supplied with 8 ft. 16/4 cord without plug. Green lead grounded.

± Supplied with 6 ft. 18/3 cord with 3 prong series plug. Green lead grounded.

±± Supplied with 8 ft. 14/3 cord with 3 prong series plug. Green lead grounded.

±±± Supplied with 8 ft. 22/1 audio cable with 2 contact .250 diameter phone plug, not grounded.

° Supplied without cord set.

°° Supplied with 8 ft. 18/3 cord and 3 prong series plug, green lead grounded.

°°° Supplied with 8 ft. 18/3 cord without plug, green lead grounded.

www.linemaster.com/ds/treadlite2/