



**FAK complete unit**

**Part no.**

**FAK-R/KC11/I**

**Article no.**

**229746**





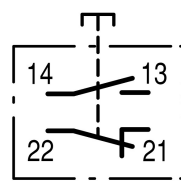
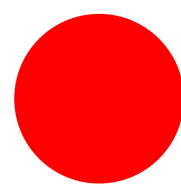
Enclosure base: black (RAL 9005)

Enclosure top: light grey (RAL 7035)



totally insulated

### Delivery programme

Range			Foot and palm switches
Basic function			Basic devices
Single unit/Complete unit			Complete unit
Function			momentary
Farbe Gehäuse			Enclosure base RAL 9005, black Operator only RAL 7035, light gray
Auxiliary contacts:  = safety function, by positive opening to IEC/EN 60947-5-1			
N/O = Normally open			1 N/O
N/C = Normally closed			1 N/C 
Contact sequence			
Colour of mushroom head, indicator light			Red
			
Connection to SmartWire-DT			no



Approval totally insulated

## Approbationen

Product Standards  
 UL File No.  
 UL CCN  
 CSA File No.  
 CSA Class No.  
 NA Certification  
 Degree of Protection

IEC/EN 60947-5; UL 508; CSA-C22.2 No. 14-05; CSA-C22.2 No. 94-91; CE marking  
 E29184  
 NKCR  
 012528  
 3211-03  
 UL Listed, CSA certified  
 UL/CSA Type 3R, 4X, 12, 13

## General

Lifespan, mechanical	Operations	$\times 10^6$	> 1
Operating frequency	Operations/h		3600
Actuating force		N	20 - 40
Degree of protection, IEC/EN 60529			IP67, IP69K
Climatic proofing			Damp heat, constant to IEC 60068-2-78 Damp heat, cyclic to IEC 60068-2-30
Ambient temperature		°C	
Open		°C	
Max. ambient temperature		°C	+40
Mounting position			As required
Mechanical shock resistance		g	> 15 Schockdauer 11 ms Halbsinus gemäß IEC 60068-2-27

## Technische Daten nach ETIM 4.0

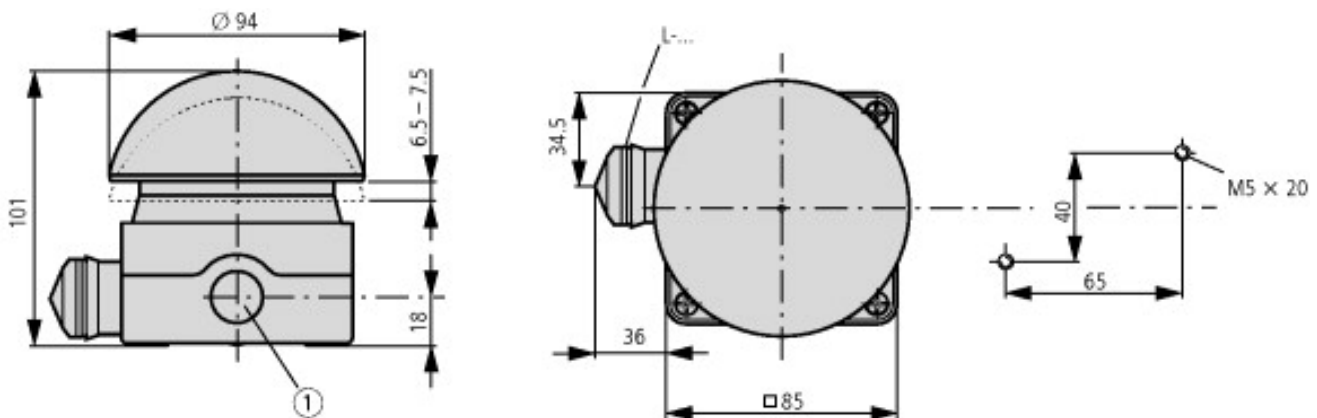
Protection type (IP)			IP65/IP67
Momentary			YES
Color of cap			red
Unlocking method			-
Hole diameter		mm	22

## CAD-Daten

Product standards CAD data:

<http://eaton-moeller.partcommunity.com>

## Dimensions



3 x M20 (PG 13.5) on the side

1 x M16 in the base

### Additional product information (links)

AWA1160-1467 (IL04716017Z) Foot and palm switch

[ftp://ftp.moeller.net/DOCUMENTATION/AWA\\_INSTRUCTIONS/14670201.pdf](ftp://ftp.moeller.net/DOCUMENTATION/AWA_INSTRUCTIONS/14670201.pdf)

AWA1160-1696 (IL04716006Z) Indicator lights

[ftp://ftp.moeller.net/DOCUMENTATION/AWA\\_INSTRUCTIONS/16961098.pdf](ftp://ftp.moeller.net/DOCUMENTATION/AWA_INSTRUCTIONS/16961098.pdf)