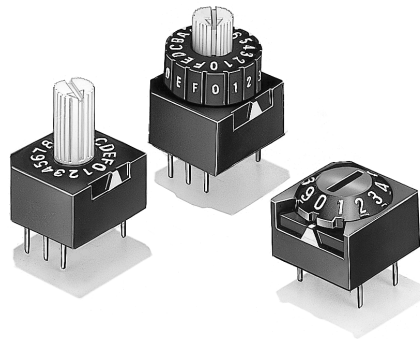


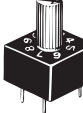



### Select the Right Rotary DIP Switch for the Type of Operation

- Series includes a standard type that can be operated from the top or side, an extended shaft type that can be operated while mounted on a panel, and a flat type.
- A slider lock and rotating PCB system ensure stable contact reliability.
- Completely sealed construction prevents flux entry during automatic flow soldering.



### Ordering Information

Type (rotor color)		Standard type (Black)	Flat type (White)	Extended shaft type (White)	Thumbwheel type (White)
No. of switching positions	Appearance				
	Output code				
10	BCD/hexadecimal 1-2-4-8 code	A6A-10R	A6A-10RF	A6A-10RS	A6A-10RW
	BCD/hexadecimal 1-2-4-8 complement code	A6A-10C	A6A-10CF	A6A-10CS	A6A-10CW
16	BCD/hexadecimal 1-2-4-8 code	A6A-16R	A6A-16RF	A6A-16RS	A6A-16RW
	BCD/hexadecimal 1-2-4-8 complement code	A6A-16C	A6A-16CF	A6A-16CS	A6A-16CW

- Note:**
1. Contact your OMRON sales representative to request special markings or designations.
  2. The standard packing configuration is units of 100 per box.

# Specifications

## ■ Ratings/Characteristics

Switching capacity	1 mA to 0.1 A at 5 to 28 VDC (switching current)
Ambient temperature	Operating: -10 to 70°C (no icing)
Ambient humidity	85% max.
Insulation resistance	10 MΩ min. (at 250 VDC)
Contact resistance	200 mΩ max. (initial value)
Dielectric strength	500 VAC at 50/60 Hz for 1min between ground and the charging plate 250 VAC at 50/60 Hz for 1min between terminals of the same polarity
Vibration resistance	Malfunction: 10 to 55 Hz, 1.5 mm double amplitude
Shock resistance	Malfunction: 300 m/s <sup>2</sup> min.
Operating force	1.18 to 2.45 × 10 <sup>-2</sup> N·m
Weight	Approx. 0.75g for the A6A-10R

### 10-position Models

Terminal No. Position	BCD/hexadecimal 1-2-4-8 code				BCD/hexadecimal 1-2-4-8 complement code			
	1	2	4	8	1	2	4	8
0					•	•	•	•
1	•					•	•	•
2		•			•		•	•
3	•	•					•	•
4			•		•	•		•
5	•		•			•		•
6		•	•		•			•
7	•	•	•					•
8				•	•	•	•	
9	•			•		•	•	

### 16-position Models

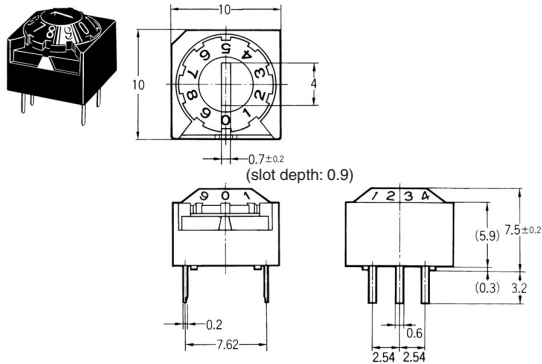
Terminal No. Position	BCD/hexadecimal 1-2-4-8 code				BCD/hexadecimal 1-2-4-8 complement code			
	1	2	4	8	1	2	4	8
0					•	•	•	•
1	•					•	•	•
2		•			•		•	•
3	•	•					•	•
4			•		•	•		•
5	•		•			•		•
6		•	•		•			•
7	•	•	•					•
8				•	•	•	•	
9	•			•		•	•	
A		•		•	•		•	
B	•	•		•			•	
C			•	•	•	•		
D	•		•	•		•		
E		•	•	•	•			
F	•	•	•	•				

**Note:** “•” indicates that the internal switch is ON.

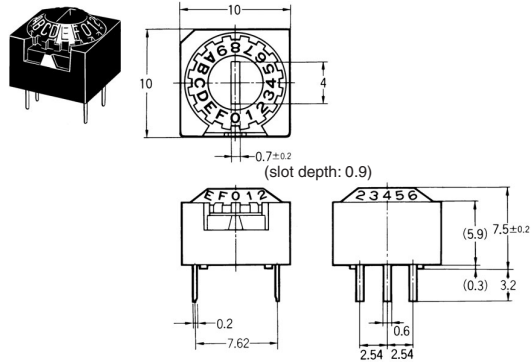
# Dimensions

Note: All units are in millimeters unless otherwise indicated.

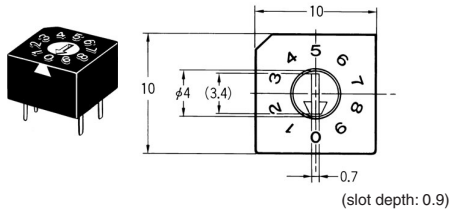
## Standard Type, 10 Positions A6A-10R, A6A-10C



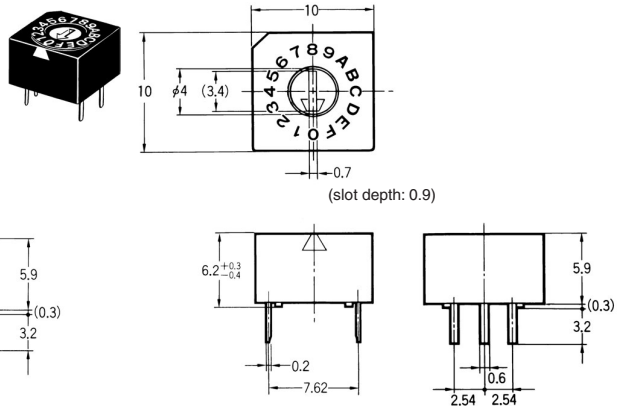
## Standard Type, 16 Positions A6A-16R, A6A-16C



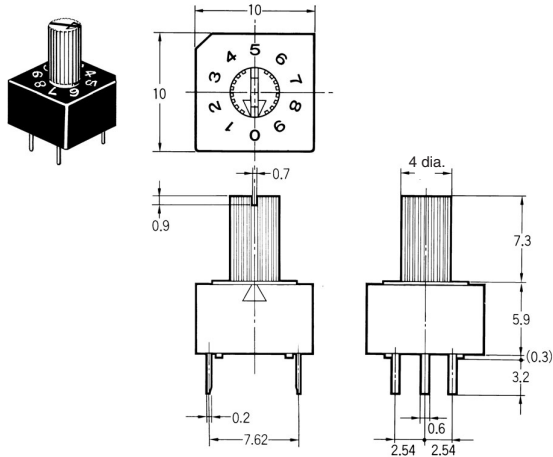
## Flat Type, 10 Positions A6A-10RF, A6A-10CF



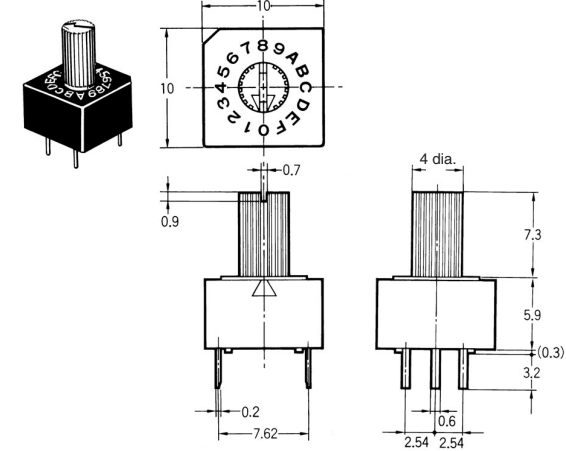
## Flat Type, 16 Positions A6A-16RF, A6A-16CF



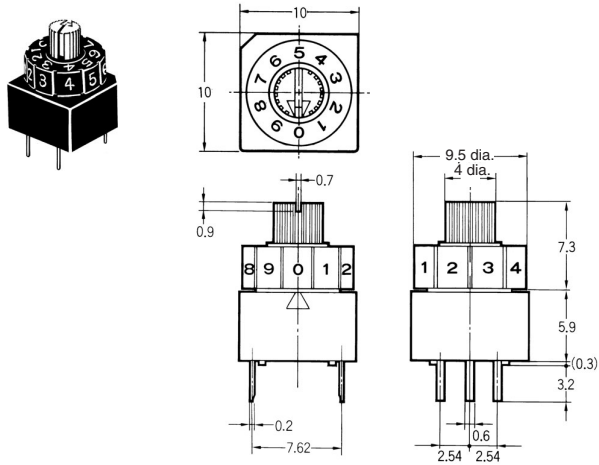
## Extended Shaft Type, 10 Positions A6A-10RS, A6A-10CS



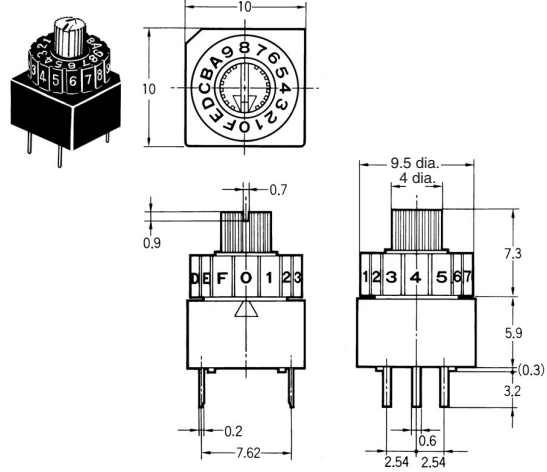
## Extended Shaft Type, 16 Positions A6A-16RS, A6A-16CS



**Thumbwheel Type, 10 Positions**  
A6A-10RW, A6A-10CW

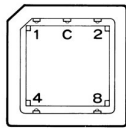


**Thumbwheel Type, 16 Positions**  
A6A-16RW, A6A-16CW

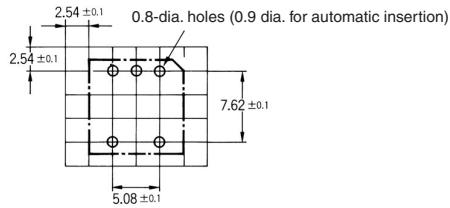


## Installation

**Terminal arrangement (bottom view)**



**Mounting holes (top view)**



## Precautions

Be sure to refer to General Precautions on pages 4 to 6 for details on proper use.

**ALL DIMENSIONS SHOWN ARE IN MILLIMETERS.**  
To convert millimeters into inches, multiply by 0.03937. To convert grams into ounces, multiply by 0.03527.