

KSU Series

Micro Mini Surface Mount Detect Switches



Features/Benefits

- **New multi contact construction**
- **Metal actuator**
- **Low actuating force**
- **Gold contacts**
- **Compatible with pick and place machines**
- **RoHS compliant and compatible**

Typical Applications

- **Mobile phones and other handheld devices**
- **Portable medical devices**
- **Audio devices**
- **Automotive**
- **Alarm devices**
- **Payment terminals**

Specifications

FUNCTION: Momentary action.
 CONTACT TYPE: SPST Normally open.
 TERMINALS: Gullwing type for SMT.

Mechanical

ACTUATING FORCE:
 W version: 1,1 N \pm 0,8 N
 ST version: 0,7 N \pm 0,5 N
 TRAVEL TO MAKE:
 W version: 0,65 mm - 0,45/+0,25 mm
 ST version: 0,45 mm - 0,25/+0,1 mm
 MAXIMUM FORCE AT MAXIMUM TRAVEL: 1,8 N
 OPERATING LIFE: 100,000 cycles

Packaging

Switches are delivered on continuous tape, in reels of 1,000 pieces

Electrical

MAXIMUM POWER: 0.2 VA
 MAXIMUM VOLTAGE: 32 VDC
 MINIMUM VOLTAGE: 20 mV
 MAXIMUM CURRENT: 0.01 A
 MINIMUM CURRENT: 0.01 mA
 CONTACT RESISTANCE: \leq 100 m Ω
 INSULATION RESISTANCE: (100 VDC) $10^9 \Omega$
 DIELECTRIC STRENGTH: \geq 250 Vrms
 BOUNCE TIME: \leq 3 ms

Environmental

OPERATING TEMPERATURE: -40°C to +125°C
 STORAGE TEMPERATURE: -55°C to +125°C

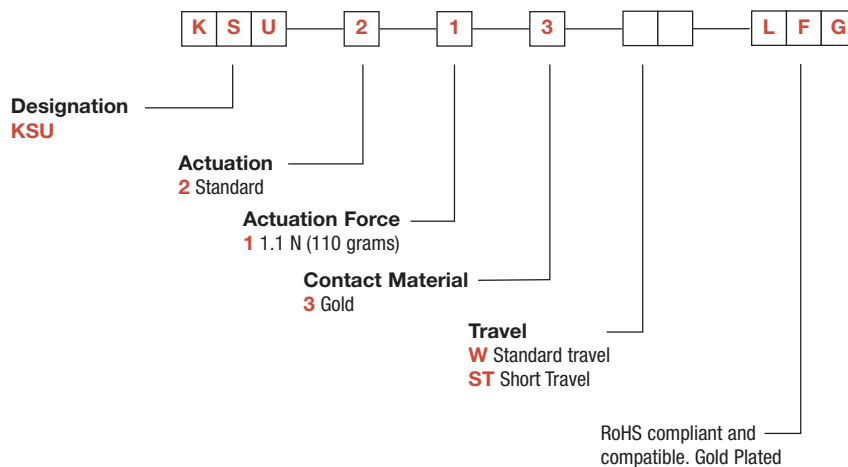
Process

SOLDERING: Compatible with lead free reflow process

NOTE: Specifications listed above are for switches with standard options.
 For information on specific and custom switches, consult Customer Service Center.

Build-A-Switch

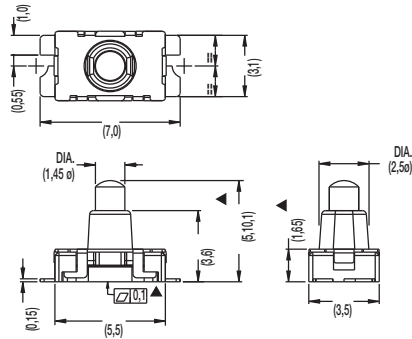
To order, simply select desired option from each category and place in the appropriate box. Available options are shown and described on page E-20. For additional options not shown in catalog, consult our Customer Service Center.



Dimensions are shown: mm
 Specifications and dimensions subject to change

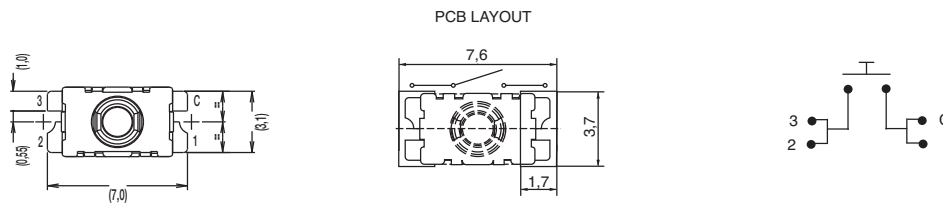
KSU Series Micro Mini Surface Mount Detect Switches

KSU

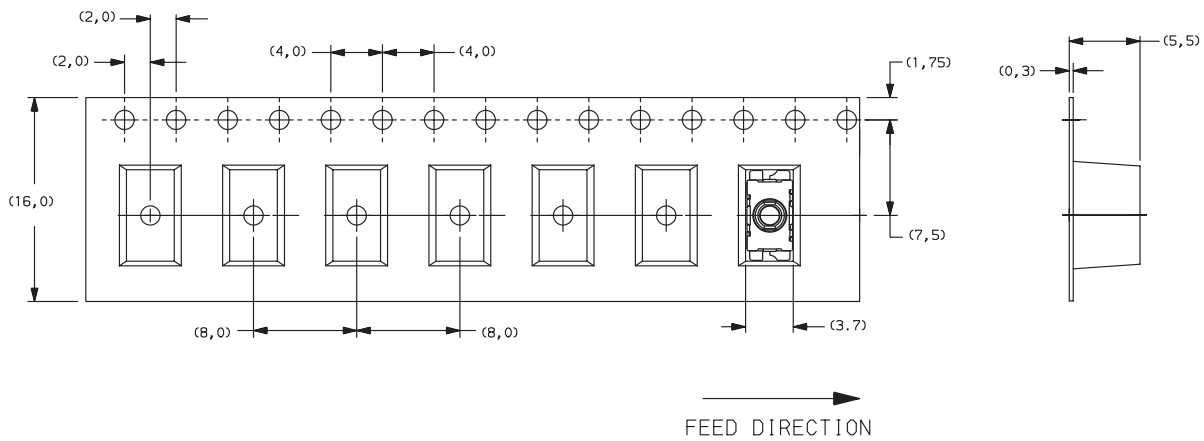


KSU213W
SPST

W GULLWING



TAPE & REEL



Detect



First Angle
Projection

Dimensions are shown: mm
Specifications and dimensions subject to change

