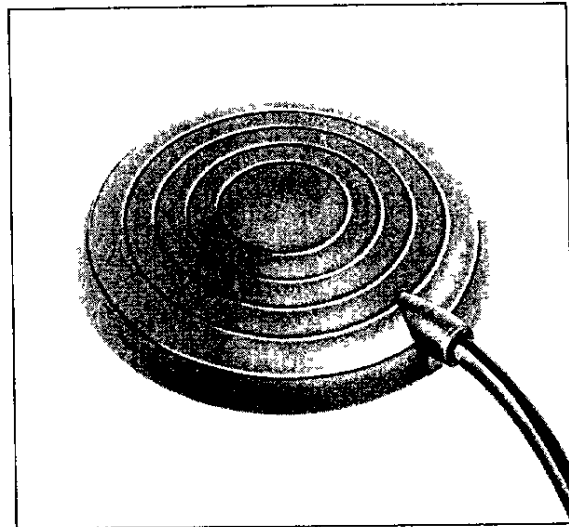
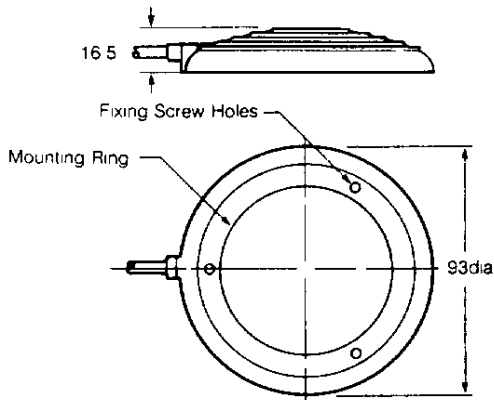


FARNELL ORDER CODE 107-271/12/13.

HERGA - FOOT ACTUATORS

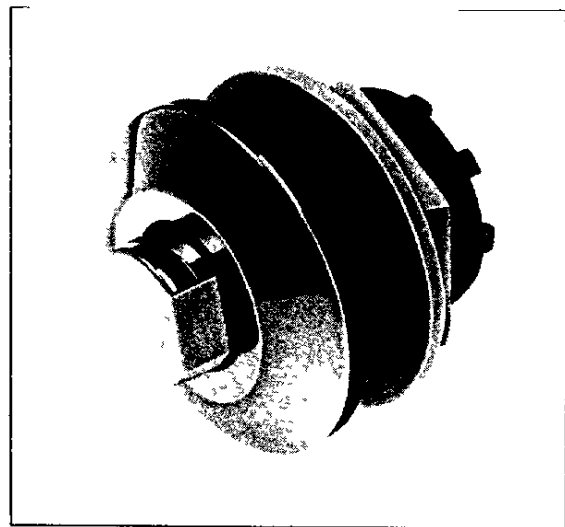
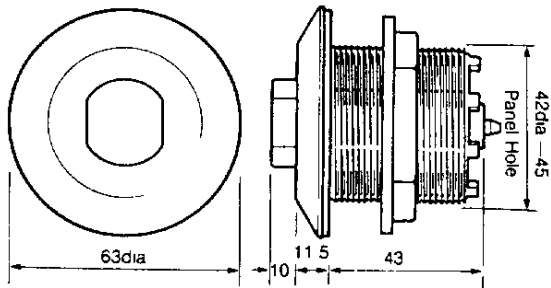


6448-00

A simple, low profile foot actuator for general light duty. The unit may be free-standing or secured by the invisible twist-lock mounting plate supplied. Standard colour black with 2m x 3mm bore tubing pre-fitted.

FARNELL ORDER CODE 107-272

HERGA - ACTUATORS



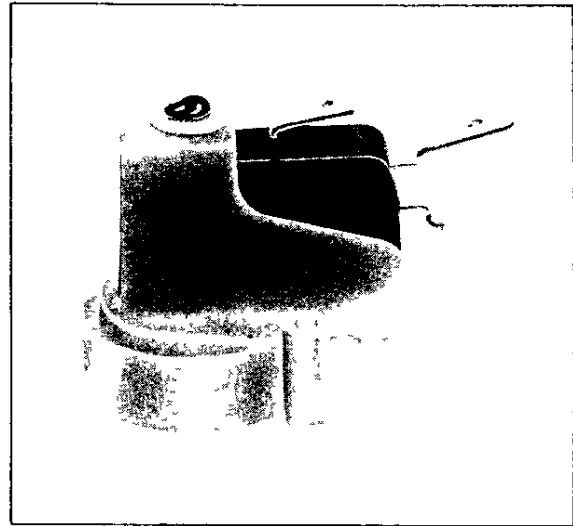
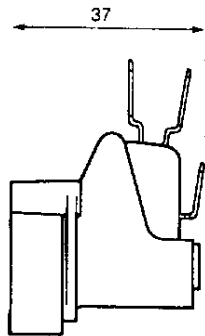
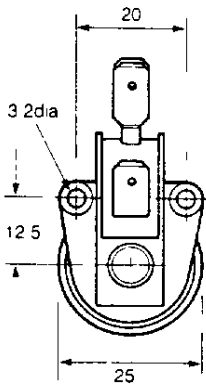
6442-OC

A very attractive range of push button units. The chromium plated plastic versions are suitable for most conditions. Where contact with heavily chlorinated water is likely to be encountered, the chrome on brass pushbutton is recommended.

Chrome escutcheon and button

FARNELL ORDER CODE 107-273.

HERGA - PRESS-ON/RELEASE-OFF



6871-01

Physically small general purpose switch set as press-ON, release-OFF.

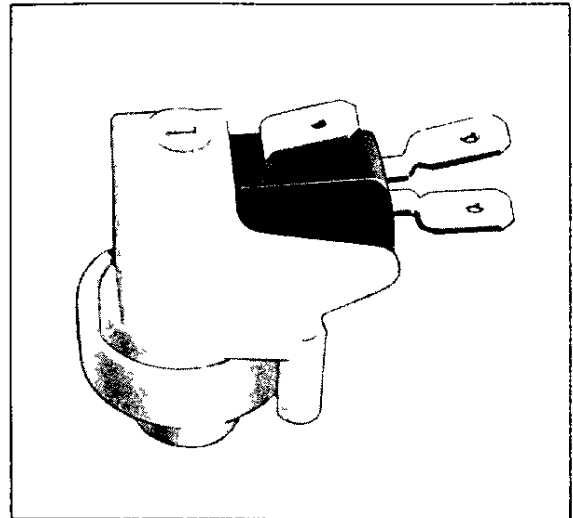
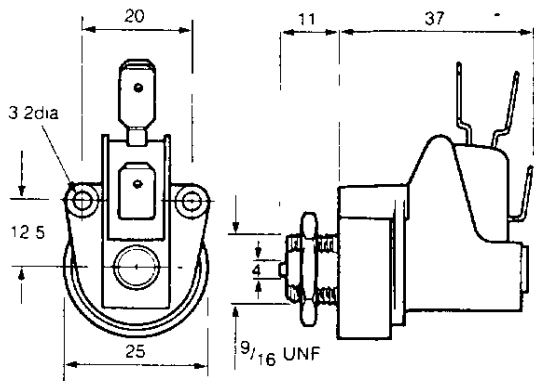
Rating AC : 15A/250V non-inductive

DC : 15A/ 30V resistive

Configured SPCO

FARNELL ORDER CODE 107-275.

HERGA - PRESS-ON/PRESS-OFF



6871-AO

A physically small, general purpose switch set as press-ON, press-OFF.

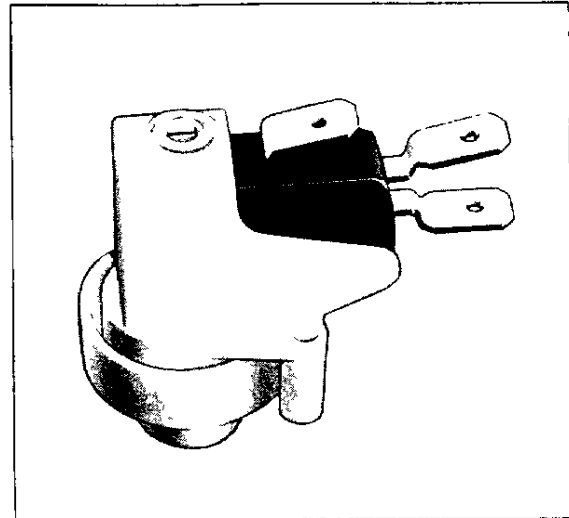
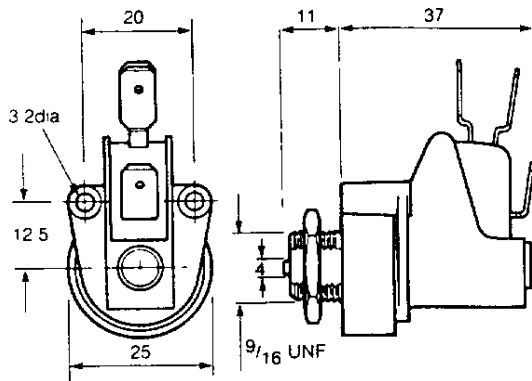
Rating : AC: 15A/250V non-inductive
DC: 15A/ 30V resistive

Configured
6871-AO : SPCO side connection

*

FARNELL ORDER CODE 107-276.

HERGA - PRESS-ON/PRESS-OFF



6871-AC

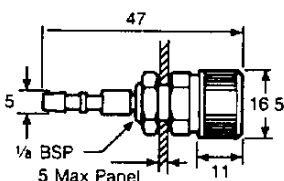
A physically small, general purpose switch set as press-ON, press-OFF

Rating : AC: 15A/250V non-inductive
DC: 15A/ 30V resistive

Configured
6871-AC : SPCO base connection

HERGA - ACCESSORIES

FARNELL ORDER CODE 107-277



6419-00

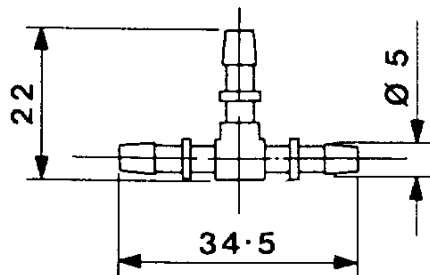
Bulkhead connector with 3mmn push-on tube connector on one side a screw locking connector for extra security on the other. Body thread is 1/8" BSP.

Panel 1mm to 5mm
Cutout 4mm dia.

*

HERGA - ACCESSORIES

FARNELL ORDER CODE 107-278



6421-00

Tee connector for use only with 6753-OF pulse switch where the device may have two operating bellows.