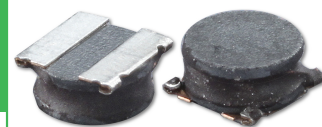


LOW PROFILE SHIELDED SMD CHIP POWER INDUCTOR



3.0 x 3.0 x 1.5mm

ASPI-0315FS



RoHS
Compliant

FEATURES:

- Small size and low profile: 1.5mm
- Small DCR and high rated current
- High reliability to mechanical stress
- Magnetically shielded by magnetic powder molding
- Suitable for RoHS reflow profile

APPLICATIONS:

- Mobile phones
- MP3 & 4 and other portable communication equipment
- Digital cameras.

ELECTRICAL SPECIFICATIONS:

Abracon P/N:	ASPI-0310FS Series
Operating Temperature & Humidity:	-30°C to +100°C, 5% to 85% RH. Please avoid moisture due to the humidity.
Storage Temperature & Humidity:	-20°C to +60°C, 5% to 85% RH. Please avoid moisture due to the humidity.

Part Number	Inductance	DCR	Saturation Current	Temperature Rise Current	Marking
Units	$\mu\text{H}\pm 20\%$	$\text{m}\Omega\pm 20\%$	A	A	—
Symbol	L	DCR	I_{sat}^*	I_{rms}^*	—
ASPI-0315FS-2R2M	2.2	60	1.45	1.45	2R2
ASPI-0315FS-3R3M	3.3	80	1.22	1.25	3R3
ASPI-0315FS-4R7M	4.7	120	1.02	1.10	4R7
ASPI-0315FS-6R8M	6.8	160	0.87	0.90	6R8
ASPI-0315FS-100M	10.0	230	0.70	0.85	100
ASPI-0315FS-220M	22.0	550	0.50	0.50	220

*The rated current is subject to change depending upon the temperature cooling condition.

Test Conditions

Inductance: 100kHz, 0.3V, $T_a=20^\circ\text{C}$
 DCR: $T_a=20^\circ\text{C}$
 Isat: $\Delta L/L$ (initial) $\geq -30\%$
 Irms: $\Delta T \leq 40^\circ\text{C}$

OPTIONS AND PART IDENTIFICATION

ASPI-0315FS- -

Inductance Code

Please refer to the table above

Packaging

T: Tape and Reel (1kpcs / reel)
 T4: Tape and Reel (4kpcs / reel)

ABRACON IS
ISO9001:2008
CERTIFIED



ABRACON
CORPORATION

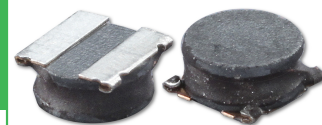
Visit www.abracon.com for Terms & Conditions of Sale **Revised: 08.31.10**
 30332 Esperanza, Rancho Santa Margarita, California 92688
 tel 949-546-8000 | fax 949-546-8001 | www.abracon.com

LOW PROFILE SHIELDED SMD CHIP POWER INDUCTOR

ASPI-0315FS



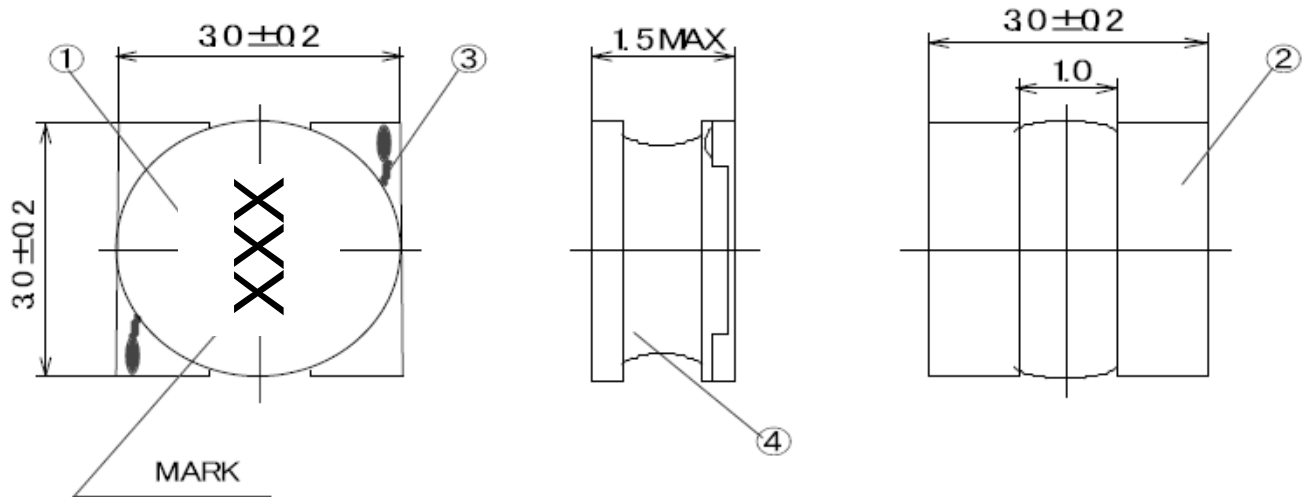
RoHS
Compliant



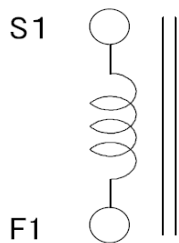
3.0 x 3.0 x 1.5mm

OUTLINE DRAWING:

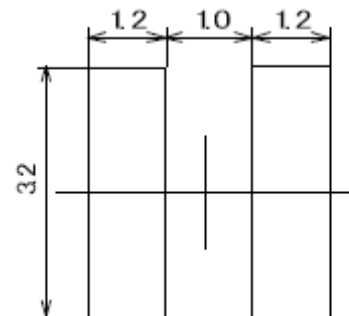
Mechanical Dimensions



Circuit Schematic



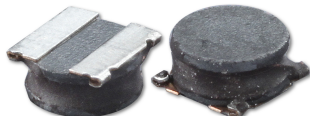
Recommended Land Pattern



No	Part Name	Material
1	Drum core	Ni-Zn Ferrite
2	Terminals	Copper alloy, Sn
3	Coil	Cu/UEW
4	Adhesive	Epoxy base resin
	Magnetic powder	Ni-Zn Ferrite

Dimension: mm

LOW PROFILE SHIELDED SMD CHIP POWER INDUCTOR



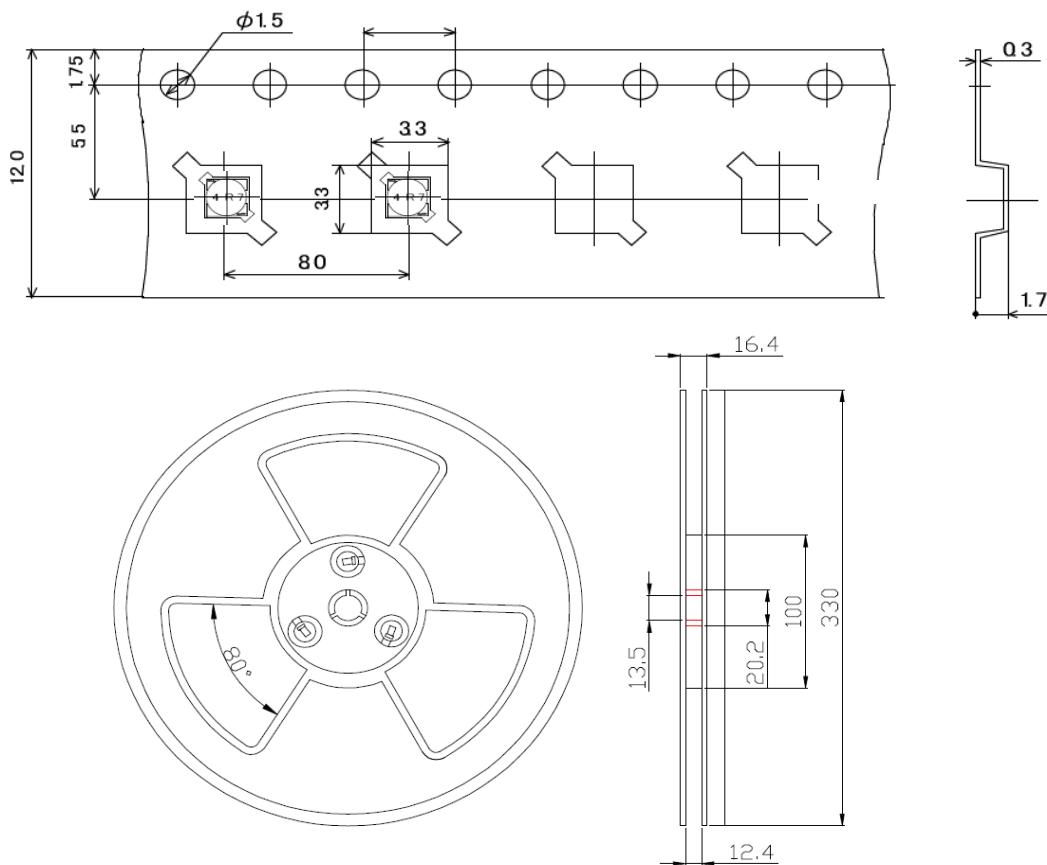
3.0 x 3.0 x 1.5mm

ASPI-0315FS

Pb | **RoHS**
Compliant

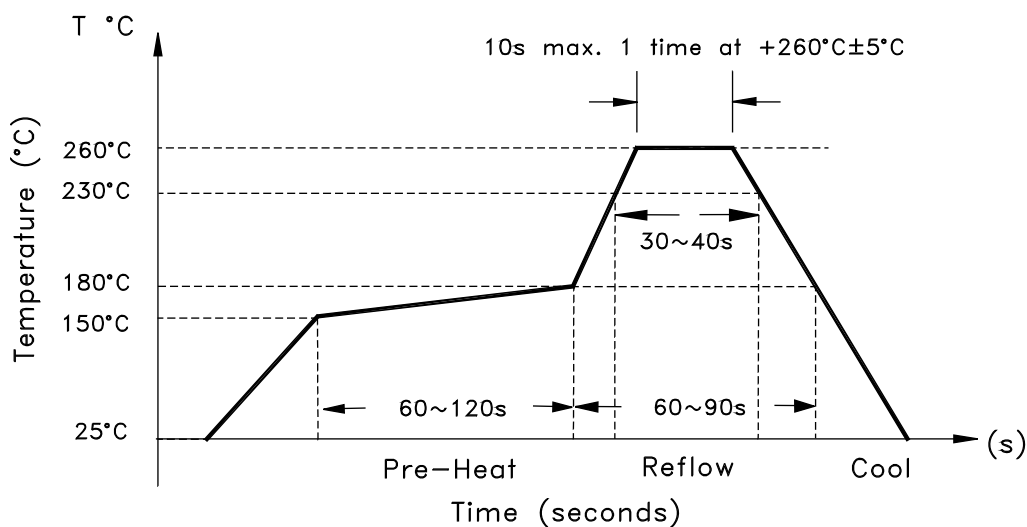
TAPE & REEL:

T: 1,000pcs / reel
T4: 4,000pcs / reel



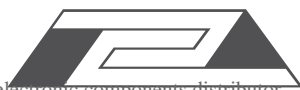
Dimension: mm

REFLOW PROFILE:



ATTENTION: Abracon Corporation's products are COTS – Commercial-Off-The-Shelf products; suitable for Commercial, Industrial and, where designated, Automotive Applications. Abracon's products are not specifically designed for Military, Aviation, Aerospace, Life-dependant Medical applications or any application requiring high reliability where component failure could result in loss of life and/or property. For applications requiring high reliability and/or presenting an extreme operating environment, written consent and authorization from Abracon Corporation is required. Please contact Abracon Corporation for more information.

ABRACON IS
ISO9001:2008
CERTIFIED



ABRACON
CORPORATION

Visit www.abracon.com for Terms & Conditions of Sale **Revised: 08.30.10**
30332 Esperanza, Rancho Santa Margarita, California 92688
tel 949-546-8000 | fax 949-546-8001 | www.abracon.com