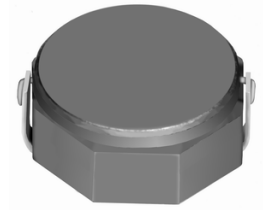
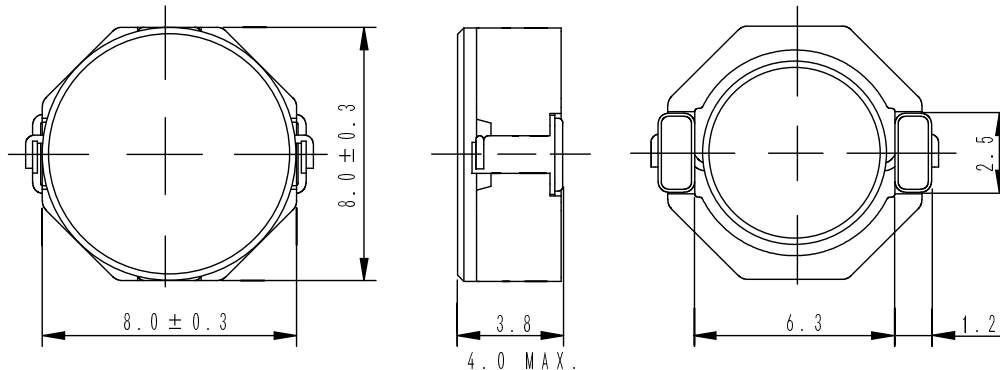
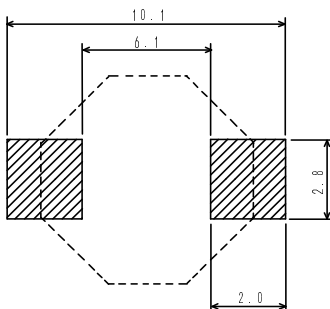


Type: CDRH8D38
◆ Product Description

- 8.3×8.3mm Max. (L×W), 4.0 mm Max. Height.
- Inductance range: 1.8~100μH.
- Rated current range: 0.88~6.8A.
- In addition to the standards versions shown here, custom inductors are also available to meet your exact requirements.


◆ Feature

- Magnetically shielded construction.
- Storage temperature range: -40°C ~+105°C.
- Operating temperature range: -40°C ~+105°C (Including coil's self temperature rise).
- Ideally used in Notebook PC, Game machine ,DVD,LCD TV,STB ,etc as DC-DC converter inductors.
- RoHS compliance and Halogen Free.

◆ Dimensions (mm)

◆ Land Pattern (mm)


Type: CDRH8D38
◆ Specification

Part Name ※	Stamp	Inductance (μ H) 100kHz/1V	D.C.R.(m Ω) Max.(Typ.) (at 20°C)	Saturation Current (A) ※1		Temperature Rise Current (A) ※2
				at 20°C	at 105°C	
CDRH8D38NP-1R8N□	1R8	1.8 \pm 30%	15.6(12.5)	7.00	6.20	6.80
CDRH8D38NP-2R5N□	2R5	2.5 \pm 30%	17.5(14)	6.50	5.50	6.00
CDRH8D38NP-3R5N□	3R5	3.5 \pm 30%	24(19)	5.00	4.40	5.20
CDRH8D38NP-4R7N□	4R7	4.7 \pm 30%	29(23)	4.60	4.00	4.40
CDRH8D38NP-6R0N□	6R0	6.0 \pm 30%	32(25)	4.20	3.50	4.00
CDRH8D38NP-100N□	100	10 \pm 30%	48(38)	3.00	2.60	3.20
CDRH8D38NP-150N□	150	15 \pm 30%	67(53)	2.75	2.30	2.50
CDRH8D38NP-220N□	220	22 \pm 30%	105(84)	2.30	1.88	2.00
CDRH8D38NP-330N□	330	33 \pm 30%	157(125)	1.75	1.52	1.60
CDRH8D38NP-470N□	470	47 \pm 30%	189(151)	1.52	1.28	1.42
CDRH8D38NP-680N□	680	68 \pm 30%	290(232)	1.30	1.10	1.08
CDRH8D38NP-101N□	101	100 \pm 30%	410(328)	1.05	0.88	0.88

※ Description of part name

CDRH8D38NP-1R8N□

- B Box
- C Carrier Tape

※1. Saturation current: The DC current at which the inductance decreases to 65% of its nominal value.

 ※2. Temperature rise current: The DC current at which the temperature rise is $\Delta t=40^{\circ}\text{C}$ ($T_a=20^{\circ}\text{C}$).