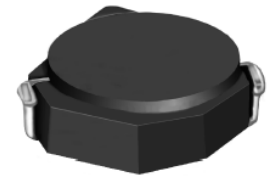
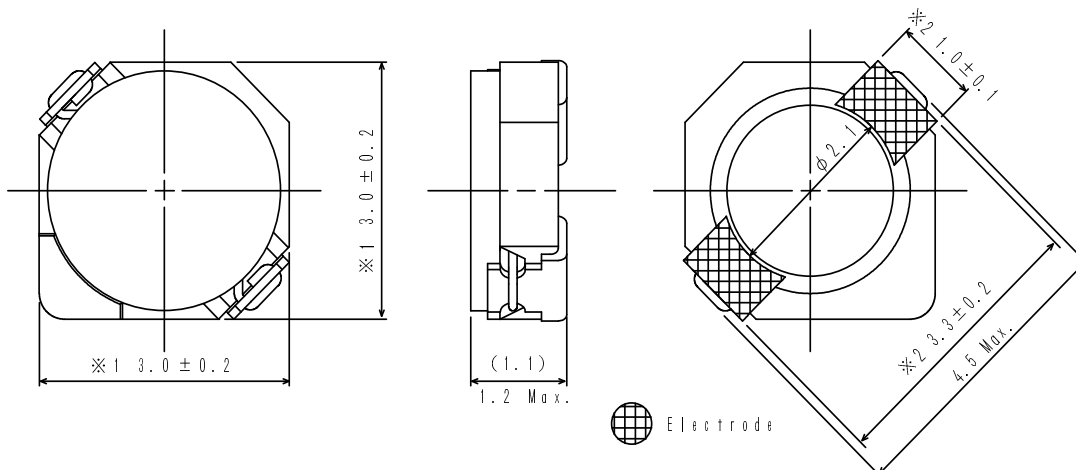


**Type: CDRH2D11**
**◆ Product Description**

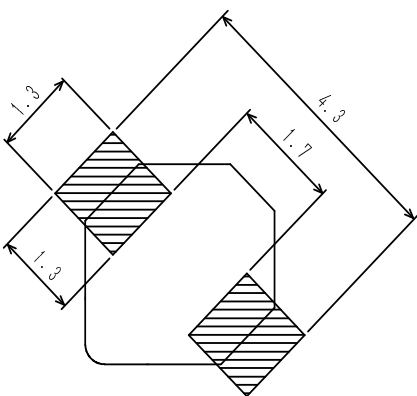
- 3.2×3.2mm Max.(L×W), 1.2mm Max. Height.
- Inductance range: 1.5~10 μ H.
- Rated current range: 0.35~0.90A .
- Custom design is available.


**◆ Feature**

- Magnetically shielded construction.
- Storage temperature range: -40°C~+100°C.
- Operating temperature range: -40°C~+100°C (Including coil's self temperature rise).
- Ideally used in Mobilephone,PDA,MP3,DSC/DVC,Portable DVD, etc as DC-DC converter.
- RoHS compliance and Halogen Free.

**◆ Dimensions (mm)**


※ 1 Not including terminal dimension

**◆ Land Pattern (mm)**


Please refer to the sales offices on our website for a representative near you

[www.sumida.com](http://www.sumida.com)

**Type: CDRH2D11**
**◆ Specification**

Part Name ※	Stamp	Inductance ( $\mu$ H) 100kHz/1V	D.C.R. (m $\Omega$ ) Max.(Typ.) (at 20 $^{\circ}$ C)	Saturation Current (A) ※1		Temperature Rise Current (A) ※2
				at 20 $^{\circ}$ C	at 100 $^{\circ}$ C	
CDRH2D11NP-1R5N□	A	1.5 $\pm$ 30%	68(54)	0.90	0.68	1.48
CDRH2D11NP-2R2N□	C	2.2 $\pm$ 30%	98(78)	0.78	0.58	1.27
CDRH2D11NP-3R3N□	E	3.3 $\pm$ 30%	123(98)	0.60	0.45	1.02
CDRH2D11NP-4R7N□	G	4.7 $\pm$ 30%	170(135)	0.50	0.37	0.88
CDRH2D11NP-6R8N□	I	6.8 $\pm$ 30%	260(210)	0.44	0.33	0.80
CDRH2D11NP-100N□	K	10.0 $\pm$ 30%	400(320)	0.35	0.26	0.65

**※ Description of part name**

CDRH2D11NP-1R5N□

- B Box
- C Carrier Tape

※1.Saturation current: The DC current at which the inductance decreases to 65% of it's nominal value.

※2.Temperature rise current: The DC current at which the temperature rise is  $\Delta t=40^{\circ}$ C.( $T_a=20^{\circ}$ C).