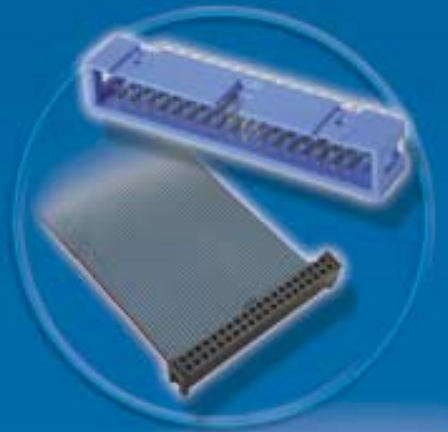


**PREFERRED**

**PARTS**

**CATALOGUE**

*Click on appropriate product images for more info*



**ANSLEY**



**AUGAT**



**TRIAD**



**ALCOSWITCH**



# ANSLEY® IDC SOCKETS

## 609 FEMALE SOCKET CONNECTOR

Ansley® Female Socket Connector  
 0.76 µm Gold Plated Contacts  
 2.54mm x 2.54mm Centres



• **PHYSICAL PROPERTIES**

**Insulation Material:** Glass filled thermoplastic rated UL 94V-0

**Colour:** Blue

**Contacts:** Beryllium copper, 0.76 µm min. gold over 1.27 µm nickel in contact zone; tin/lead over nickel in termination area

• **ELECTRICAL PROPERTIES**

**Current Rating:** 1A

**Insulation Resistance:** >1 x 10<sup>9</sup> Ω @ 500 V DC

**Dielectric Strength:** >1000 VRMS at sea level

• **ENVIRONMENTAL PROPERTIES**

**Temperature Rating:** -55°C to +105°C

PRODUCT INFORMATION		
Model number	Tyco order number	Description
609-0630	2-1437020-0	06 position socket with centre bump
609-1030	3-1437020-0	10 position socket with centre bump
609-1430	4-1437020-6	14 position socket with centre bump
609-1630	6-1437020-1	16 position socket with centre bump
609-2030	7-1437020-9	20 position socket with centre bump
609-2630	0-1437021-5	26 position socket with centre bump
609-3430	2-1437021-6	34 position socket with centre bump
609-4030	5-1437021-0	40 position socket with centre bump
609-5030	7-1437021-4	50 position socket with centre bump
609-6030	9-1437021-9	60 position socket with centre bump

PRODUCT INFORMATION		
Model number	Tyco order number	Description
609-0641	2-1437020-2	06 position socket with centre bump & strain relief
609-1041	3-1437020-9	10 position socket with centre bump & strain relief
609-1441	5-1437020-2	14 position socket with centre bump & strain relief
609-1641	6-1437020-8	16 position socket with centre bump & strain relief
609-2041	8-1437020-8	20 position socket with centre bump & strain relief
609-2641	1-1437021-4	26 position socket with centre bump & strain relief
609-3441	3-1437021-4	34 position socket with centre bump & strain relief
609-4041	5-1437021-7	40 position socket with centre bump & strain relief
609-5041	8-1437021-3	50 position socket with centre bump & strain relief
609-6041	0-1437022-7	60 position socket with centre bump & strain relief

## 622 FEMALE SOCKET CONNECTOR

Ansley® Female Socket Connector  
 0.76 µm Gold Plated Contacts  
 2.54mm x 2.54mm Centres



• **PHYSICAL PROPERTIES**

**Insulation Material:** Glass filled thermoplastic rated UL 94V-0

**Colour:** Blue

**Contacts:** Beryllium copper, 0.76 µm min. gold over 1.27 µm nickel in contact zone; tin/lead over nickel in termination area

• **ELECTRICAL PROPERTIES**

**Current Rating:** 1A

**Insulation Resistance:** >1 x 10<sup>9</sup> Ω @ 500 V DC

**Dielectric Strength:** >1000 VRMS at sea level

• **ENVIRONMENTAL PROPERTIES**

**Temperature Rating:** -55°C to +105°C

PRODUCT INFORMATION		
Model number	Tyco order number	Description
622-0630	2-1437023-6	06 position socket with centre bump
622-1030	4-1437023-1	10 position socket with centre bump
622-1630	8-1437023-3	16 position socket with centre bump
622-2030	0-1437024-2	20 position socket with centre bump
622-2630	2-1437024-4	26 position socket with centre bump
622-3430	4-1437024-8	34 position socket with centre bump
622-4030	7-1437024-7	40 position socket with centre bump
622-5030	0-1437025-4	50 position socket with centre bump
622-6030	2-1437025-7	60 position socket with centre bump

PRODUCT INFORMATION		
Model number	Tyco order number	Description
622-0641	3-1437023-1	06 position socket with centre bump & strain relief
622-1041	4-1437023-9	10 position socket with centre bump & strain relief
622-1641	9-1437023-1	16 position socket with centre bump & strain relief
622-2041	0-1437024-7	20 position socket with centre bump & strain relief
622-2641	3-1437024-0	26 position socket with centre bump & strain relief
622-3441	5-1437024-6	34 position socket with centre bump & strain relief
622-4041	8-1437024-6	40 position socket with centre bump & strain relief
622-5041	1-1437025-6	50 position socket with centre bump & strain relief
622-6041	3-1437025-2	60 position socket with centre bump & strain relief

1

# ANSLEY® IDC SOCKETS

## 636 FEMALE SOCKET CONNECTOR

Ansley® Female Socket Connector  
 0.38µm Gold Plated Contacts  
 2.54 mm x 2.54 mm Centres



### PHYSICAL PROPERTIES

**Insulation Material:** Glass filled thermoplastic rated UL 94V-0

**Colour:** Black

**Contacts:** Phosphor bronze, 0.38 µm min. gold over 1.27 µm nickel in contact zone; tin/lead over nickel in termination area

### ELECTRICAL PROPERTIES

**Current Rating:** 1A

**Insulation Resistance:** >1 x 10<sup>8</sup> Ω @ 500 V DC

**Dielectric Strength:** >1000 VRMS at sea level

### ENVIRONMENTAL PROPERTIES

**Temperature Rating:** -55°C to +105°C

### PRODUCT INFORMATION

Model number	Tyco order number	Description
636-1030	3-1437026-4	10 position socket with centre bump
636-1630	7-1437026-8	16 position socket with centre bump
636-2030	0-1437027-2	20 position socket with centre bump
636-2630	2-1437027-7	26 position socket with centre bump
636-3430	6-1437027-3	34 position socket with centre bump
636-4030	0-1437028-9	40 position socket with centre bump
636-5030	5-1437028-7	50 position socket with centre bump
636-6030	9-1437028-3	60 position socket with centre bump
636-6430	0-1437029-1	64 position socket with centre bump

### PRODUCT INFORMATION

Model number	Tyco order number	Description
636-0641	2-1437026-0	06 position socket with centre bump & strain relief
636-1041	4-1437026-2	10 position socket with centre bump & strain relief
636-1641	8-1437026-8	16 position socket with centre bump & strain relief
636-2041	0-1437027-9	20 position socket with centre bump & strain relief
636-2641	3-1437027-7	26 position socket with centre bump & strain relief
636-3441	8-1437027-4	34 position socket with centre bump & strain relief
636-4041	3-1437028-7	40 position socket with centre bump & strain relief
636-5041	7-1437028-2	50 position socket with centre bump & strain relief
636-6041	9-1437028-6	60 position socket with centre bump & strain relief

# ANSLEY® IDC BOX HEADERS

## 609 LOW PROFILE PCB HEADERS

Ansley® Low Profile PCB Headers  
 Straight/Right Angle Pins  
 2.54mm x 2.54mm Centres



• **PHYSICAL PROPERTIES**

**Insulation Material:** Glass filled thermoplastic rated UL 94V-0

**Colour:** Blue

**Contacts:** Brass, 0.76 µm min. gold over 1.27 µm min. nickel plating

• **ELECTRICAL PROPERTIES**

**Current Rating:** 1A

**Insulation Resistance:** >1 x 10<sup>9</sup> Ω @ 500 V DC

**Dielectric Strength:** >1000 VRMS at sea level

• **ENVIRONMENTAL PROPERTIES**

**Temperature Rating:** -55°C to +105°C

PRODUCT INFORMATION		
Model number	Tyco order number	Description
609-0627	2-1437044-7	06 position straight box header
609-1027	4-1437044-3	10 position straight box header
609-1627	8-1437044-0	16 position straight box header
609-2027	0-1437045-2	20 position straight box header
609-2627	3-1437045-2	26 position straight box header
609-3427	5-1437045-4	34 position straight box header
609-4027	8-1437045-3	40 position straight box header
609-5027	1-1437046-5	50 position straight box header
609-6027	3-1437046-4	60 position straight box header

PRODUCT INFORMATION		
Model number	Tyco order number	Description
609-0607	2-1437044-4	06 position right angle box header
609-1007	3-1437044-7	10 position right angle box header
609-1607	7-1437044-3	16 position right angle box header
609-2007	9-1437044-5	20 position right angle box header
609-2607	2-1437045-5	26 position right angle box header
609-3407	4-1437045-7	34 position right angle box header
609-4007	7-1437045-3	40 position right angle box header
609-5007	0-1437046-6	50 position right angle box header
609-6007	3-1437046-1	60 position right angle box header

## 636 LOW PROFILE PCB HEADERS

Ansley® Low Profile PCB Headers  
 Straight/Right Angle Pins  
 2.54mm x 2.54mm Centres



• **PHYSICAL PROPERTIES**

**Insulation Material:** Glass filled thermoplastic rated UL 94V-0, infrared and vapor phase process compatible

**Colour:** Black

**Contacts:** Brass, 0.38 µm min. gold over 1.27 µm nickel plating tin/lead over nickel in termination area

• **ELECTRICAL PROPERTIES**

**Current Rating:** 1A

**Insulation Resistance:** >1 x 10<sup>9</sup> Ω @ 500 V DC

**Dielectric Strength:** >1000 VRMS at sea level tin/lead over nickel in termination area

• **ENVIRONMENTAL PROPERTIES**

**Temperature Rating:** -55°C to +105°C

PRODUCT INFORMATION		
Model number	Tyco order number	Description
636-1027	1-1437061-9	10 position straight box header
636-1627	3-1437061-5	16 position straight box header
636-2027	4-1437061-3	20 position straight box header
636-2627	5-1437061-9	26 position straight box header
636-3427	7-1437061-5	34 position straight box header
636-4027	8-1437061-5	40 position straight box header
636-5027	9-1437061-5	50 position straight box header
636-6027	0-1437062-4	60 position straight box header

PRODUCT INFORMATION		
Model number	Tyco order number	Description
636-1007	1-1437061-5	10 position right angle box header
636-1607	3-1437061-1	16 position right angle box header
636-2007	3-1437061-9	20 position right angle box header
636-2607	5-1437061-5	26 position right angle box header
636-3407	7-1437061-1	34 position right angle box header
636-4007	7-1437061-9	40 position right angle box header
636-5007	9-1437061-1	50 position right angle box header

3



# ANSLEY® STANDARD HEADERS

## RIGHT ANGLE STANDARD HEADERS

### Ansley® Right Angle PCB Headers with Retainer/Ejector Latches 2.54mm x 2.54mm Centres



#### • PHYSICAL PROPERTIES

**Insulation Material:** Glass filled thermoplastic rated UL 94V-0

**Colour:** 609/622: Blue; 636: Black

**Contacts:**

609/622: Brass; 0.76 µm min. gold over 1.27 µm nickel plating

636: Brass; 0.38 µm min. gold over 1.27 µm min. nickel plating

#### • ELECTRICAL PROPERTIES

**Current Rating:** 1A

**Insulation Resistance:** >1 x 10<sup>9</sup> Ω @ 500 V DC

**Dielectric Strength:** >1000 VRMS at sea level

#### • ENVIRONMENTAL PROPERTIES

**Temperature Rating:** -55°C to +105°C



PRODUCT INFORMATION		
Model number	Tyco order number	Description
609-1004E	4-1437054-8	10 position right angle header short latches
609-1604E	4-1437055-5	16 position right angle header short latches
609-2004E	7-1437055-7	20 position right angle header short latches
609-2604E	4-1437056-3	26 position right angle header short latches
609-3404E	1-1437057-1	34 position right angle header short latches
609-4004E	7-1437057-0	40 position right angle header short latches
609-5004E	2-1437058-9	50 position right angle header short latches
609-6004E	2-1437059-0	60 position right angle header short latches

PRODUCT INFORMATION		
Model number	Tyco order number	Description
609-1004ES	5-1437054-1	10 position right angle header long latches
609-1604ES	4-1437055-8	16 position right angle header long latches
609-2004ES	8-1437055-0	20 position right angle header long latches
609-2604ES	4-1437056-6	26 position right angle header long latches
609-3404ES	1-1437057-4	34 position right angle header long latches
609-4004ES	7-1437057-3	40 position right angle header long latches
609-5004ES	3-1437058-2	50 position right angle header long latches
609-6004ES	0-1437059-8	60 position right angle header long latches

PRODUCT INFORMATION		
Model number	Tyco order number	Description
622-1004E	8-1437059-3	10 position right angle header short latches
622-1604E	0-1437060-7	16 position right angle header short latches
622-2004E	2-1437060-1	20 position right angle header short latches
622-3404E	5-1437060-3	34 position right angle header long latches
622-5004E	8-1437060-4	50 position right angle header short latches
622-6004E	9-1437060-6	60 position right angle header short latches

PRODUCT INFORMATION		
Model number	Tyco order number	Description
622-1004ES	8-1437059-4	10 position right angle header long latches
622-1604ES	0-1437060-8	16 position right angle header long latches
622-2004ES	2-1437060-2	20 position right angle header long latches
622-2604ES	3-1437060-8	26 position right angle header long latches
622-3404ES	5-1437060-4	34 position right angle header long latches
622-4004ES	6-1437060-8	40 position right angle header long latches
622-5004ES	8-1437060-5	50 position right angle header long latches
622-6004ES	9-1437060-7	60 position right angle header long latches

PRODUCT INFORMATION		
Model number	Tyco order number	Description
636-1004E	6-1437046-3	10 position right angle header short latches
636-1604E	9-1437046-4	16 position right angle header short latches
636-2004E	0-1437047-8	20 position right angle header short latches
636-2604E	2-1437047-8	26 position right angle header short latches
636-3404E	4-1437047-6	34 position right angle header short latches
636-4004E	6-1437047-0	40 position right angle header short latches
636-5004E	7-1437047-7	50 position right angle header short latches

PRODUCT INFORMATION		
Model number	Tyco Part Number	Description
636-1004ES	6-1437046-4	10 position right angle header long latches
636-1604ES	9-1437046-5	16 position right angle header long latches
636-2004ES	0-1437047-9	20 position right angle header long latches
636-2604ES	2-1437047-9	26 position right angle header long latches
636-3404ES	4-1437047-7	34 position right angle header long latches
636-4004ES	6-1437047-1	40 position right angle header long latches
636-5004ES	7-1437047-8	50 position right angle header long latches
636-6004ES	9-1437047-4	60 position right angle header long latches

# ANSLEY® STANDARD HEADERS

## STRAIGHT STANDARD HEADERS

Ansley® Straight PCB Headers  
with Retainer/Ejector Latches  
2.54mm x 2.54mm Centres



• **PHYSICAL PROPERTIES**

**Insulation Material:** Glass filled thermoplastic rated UL 94V-0

**Colour:** 609/622: Blue; 636: Black

**Contacts:**

609/622: Brass, 0.76 µm min. gold over 1.27 µm nickel plating

636: Brass; 0.38 µm min. gold over 1.27 µm min. nickel plating

• **ELECTRICAL PROPERTIES**

**Current Rating:** 1A

**Insulation Resistance:** >1 x 10<sup>9</sup> Ω @ 500 V DC

**Dielectric Strength:** >1000 VRMS at sea level

• **ENVIRONMENTAL PROPERTIES**

**Temperature Rating:** -55°C to +105°C



PRODUCT INFORMATION		
Model number	Tyco order number	Description
609-1024E	6-1437054-3	10 position straight header short latches
609-1624E	5-1437055-8	16 position straight header short latches
609-2024E	9-1437055-1	20 position straight header short latches
609-2624E	5-1437056-7	26 position straight header short latches
609-3424E	2-1437057-8	34 position straight header short latches
609-4024E	8-1437057-7	40 position straight header short latches
609-5024E	4-1437058-5	50 position straight header short latches
609-6024E	2-1437059-0	60 position straight header short latches

PRODUCT INFORMATION		
Model number	Tyco order number	Description
609-1024ES	6-1437054-6	10 position straight header long latches
609-1624ES	6-1437055-0	16 position straight header long latches
609-2024ES	9-1437055-4	20 position straight header long latches
609-2624ES	5-1437056-9	26 position straight header long latches
609-3424ES	3-1437057-1	34 position straight header long latches
609-4024ES	9-1437057-0	40 position straight header long latches
609-5024ES	4-1437058-9	50 position straight header long latches
609-6024ES	2-1437059-2	60 position straight header long latches

PRODUCT INFORMATION		
Model number	Tyco order number	Description
622-1024E	8-1437059-8	10 position straight header short latches
622-1624E	1-1437060-3	16 position straight header short latches
622-2024E	2-1437060-6	20 position straight header short latches
622-2624E	4-1437060-4	26 position straight header short latches
622-3424E	5-1437060-8	34 position straight header short latches
622-4024E	7-1437060-2	40 position straight header short latches
622-5024E	9-1437060-0	50 position straight header short latches
622-6024E	0-1437061-1	60 position straight header short latches

PRODUCT INFORMATION		
Model number	Tyco order number	Description
622-0624ES	7-1437059-9	6 position straight header long latches
622-1024ES	8-1437059-9	10 position straight header long latches
622-1624ES	1-1437060-4	16 position straight header long latches
622-2024ES	2-1437060-7	20 position straight header long latches
622-2624ES	4-1437060-5	26 position straight header long latches
622-3424ES	5-1437060-9	34 position straight header long latches
622-4024ES	7-1437060-3	40 position straight header long latches
622-5024ES	9-1437060-1	50 position straight header long latches
622-6024ES	0-1437061-2	60 position straight header long latches

PRODUCT INFORMATION		
Model number	Tyco order number	Description
636-1024E	7-1437046-0	10 position straight header short latches
636-1624E	9-1437046-9	16 position straight header short latches
636-2024E	1-1437047-5	20 position straight header short latches
636-2624E	3-1437047-4	26 position straight header short latches
636-3424E	5-1437047-2	34 position straight header short latches
636-4024E	6-1437047-6	40 position straight header short latches
636-5024E	8-1437047-6	50 position straight header short latches
636-6024E	9-1437047-8	60 position straight header short latches

PRODUCT INFORMATION		
Model number	Tyco order number	Description
636-1024ES	7-1437046-1	10 position straight header long latches
636-1624ES	0-1437047-1	16 position straight header long latches
636-2024ES	1-1437047-6	20 position straight header long latches
636-2624ES	3-1437047-5	26 position straight header long latches
636-3424ES	5-1437047-3	34 position straight header long latches
636-4024ES	6-1437047-7	40 position straight header long latches
636-5024ES	8-1437047-7	50 position straight header long latches
636-6024ES	9-1437047-9	60 position straight header long latches

# ANSLEY® VERTICAL EJECT HEADERS

## 501 LOW PROFILE HEADERS

Ansley® Low Profile Headers with  
Vertical Retainer/Ejector Latches  
Straight/Right Angle Pins  
2.54mm x 2.54mm Centres



### PHYSICAL PROPERTIES

**Insulation Material:** Glass filled thermoplastic rated UL 94V-0

**Colour:** Blue

**Contacts:** Brass, 0.76 µm min. gold over  
1.27 µm min nickel plating

### ELECTRICAL PROPERTIES

**Current Rating:** 1A

**Insulation Resistance:** >1 x 10<sup>9</sup> Ω @ 500 V DC

**Dielectric Strength:** >1000 VRMS at sea level

### ENVIRONMENTAL PROPERTIES

**Temperature Rating:** -55°C to +105°C

PRODUCT INFORMATION		
Model number	Tyco order number	Description
501-0627E	0-1437063-7	06 position straight box header short latches
501-1027E	2-1437063-8	10 position straight box header short latches
501-1627E	6-1437063-3	16 position straight box header short latches
501-2027E	8-1437063-0	20 position straight box header short latches
501-2627E	0-1437064-3	26 position straight box header short latches
501-3427E	3-1437064-9	34 position straight box header short latches
501-4027E	6-1437064-8	40 position straight box header short latches
501-5027E	9-1437064-8	50 position straight box header short latches

PRODUCT INFORMATION		
Model number	Tyco order number	Description
501-1027ES	3-1437063-0	10 position straight box header long latches
501-1427ES	5-1437063-3	14 position straight box header long latches
501-1627ES	6-1437063-4	16 position straight box header long latches
501-2027ES	8-1437063-1	20 position straight box header long latches
501-2627ES	0-1437064-5	26 position straight box header long latches
501-3427ES	4-1437064-1	34 position straight box header long latches
501-4027ES	7-1437064-0	40 position straight box header long latches
501-5027ES	0-1437065-1	50 position straight box header long latches

PRODUCT INFORMATION		
Model number	Tyco order number	Description
501-1007E	2-1437063-1	10 position right angle box header short latches
501-1607E	5-1437063-6	16 position right angle box header short latches
501-2007E	7-1437063-1	20 position right angle box header short latches
501-2607E	9-1437063-5	26 position right angle box header short latches
501-3407E	3-1437064-3	34 position right angle box header short latches
501-4007E	5-1437064-6	40 position right angle box header short latches
501-5007E	8-1437064-8	50 position right angle box header short latches

PRODUCT INFORMATION		
Model number	Tyco order number	Description
501-1007ES	2-1437063-3	10 position right angle box header long latches
501-1407ES	4-1437063-6	14 position right angle box header long latches
501-1607ES	5-1437063-8	16 position right angle box header long latches
501-2007ES	7-1437063-3	20 position right angle box header long latches
501-2607ES	9-1437063-7	26 position right angle box header long latches
501-3407ES	3-1437064-5	34 position right angle box header long latches
501-4007ES	5-1437064-8	40 position right angle box header long latches
501-5007ES	9-1437064-1	50 position right angle box header long latches

# ANSLEY® IDC SOLDER TRANSITION

## 2-ROW PCB SOLDER TRANSITION CONNECTORS

### Ansley® 2-Row PCB Solder Transition Connectors



#### PHYSICAL PROPERTIES

**Insulation Material:** Glass filled thermoplastic rated UL 94V-0

**Colour:** Blue

**Contacts:** Beryllium copper; tin/lead over 1.27 µm nickel

#### ELECTRICAL PROPERTIES

**Current Rating:** 1A

**Insulation Resistance:**  $>1 \times 10^9 \Omega$

**Dielectric Strength:**  $>1000$  VRMS at sea level

#### ENVIRONMENTAL PROPERTIES

**Temperature Rating:**  $-55^\circ\text{C}$  to  $+105^\circ\text{C}$

#### PRODUCT INFORMATION

Model number	Tyco order number	Description
622-0653	0-1437007-5	06 position solder transition
622-1053	0-1437007-2	10 position solder transition
622-1653	2-1437007-9	16 position solder transition
622-2053	3-1437007-7	20 position solder transition
622-2653	5-1437007-1	26 position solder transition
622-3453	6-1437007-5	34 position solder transition
622-4053	7-1437007-7	40 position solder transition
622-5053	8-1437007-9	50 position solder transition



# ANSLEY® IDC CABLE

## STANDARD FLAT CABLE

### Ansley® 1.27 mm Standard Flat Cable

#### Series 171 - 28 AWG (7/36) Stranded



<b>Product Series</b>	<b>171</b>
Wire Size	28 Stranded
Insulation Material	PVC
Conductor Spacing	1.27mm
Temperature Rating	+105°C
Voltage Rating (VRMS)	300
Impedance	100Ω
Capacitance pF/m	46
Inductance μH/m	0.46
Velocity of Propagation nS/m	4.53
Insulation Resistance	10 <sup>10</sup> Ω

Typical Crosstalk Rise Characteristics  
3.06m Sample 1 line driven

Rise Time nSec	3.0/7.0
Near end (%)	5.0/3.2
Far end (%)	6.7/2.7

UL style No. 2651

PRODUCT INFORMATION		
Model number	Tyco order number	Description
171-10G	2-1437356-9	10 position cable - 100 ft reel
171-16G	7-1437356-3	16 position cable - 100 ft reel
171-20G	9-1437356-1	20 position cable - 100 ft reel
171-26G	3-1437357-4	26 position cable - 100 ft reel
171-34G	5-1437357-5	34 position cable - 100 ft reel
171-40G	8-1437357-9	40 position cable - 100 ft reel
171-50G	1-1437358-1	50 position cable - 100 ft reel
171-60G	2-1437358-7	60 position cable - 100 ft reel

PRODUCT INFORMATION		
Model number	Tyco order number	Description
171-10G100M	3-1437356-0	10 position cable - 100 metres reel
171-16G100M	7-1437356-4	16 position cable - 100 metres reel
171-20G100M	9-1437356-2	20 position cable - 100 metres reel
171-26G100M	3-1437357-5	26 position cable - 100 metres reel
171-34G100M	5-1437357-6	34 position cable - 100 metres reel
171-40G100M	9-1437357-0	40 position cable - 100 metres reel
171-50G100M	1-1437358-2	50 position cable - 100 metres reel
171-60G100M	2-1437358-8	60 position cable - 100 metres reel

## COLOUR CODED FLAT CABLE

### Ansley® 1.27 mm Colour Flat Cable

#### Series 201 - 28 AWG (7/36) Stranded

<b>Product Series</b>	<b>201</b>
Wire Size	28 Stranded
Insulation Material	PVC
Conductor Spacing	1.27mm
Temperature Rating	+105°C
Voltage Rating (VRMS)	300
Impedance	100Ω
Capacitance pF/m	46
Inductance μH/m	0.46
Velocity of Propagation nS/m	4.53
Insulation Resistance	10 <sup>10</sup> Ω

Typical Crosstalk Rise Characteristics  
3.06m Sample 1 line driven

Rise Time nSec	3.0/7.0
Near end (%)	5.0/3.2
Far end (%)	6.7/2.7

UL style No. 20067

#### Wire Colour Sequence (Repeat conductor Numbers)

Conductor Number	Colour
1	Brown
2	Red
3	Orange
4	Yellow
5	Green
6	Blue
7	Violet
8	Gray
9	White
10	Black



ORDERING INFORMATION		
Model number	Tyco order number	Description
201-10G	3-1437366-9	10 position cable - 100 ft reel
201-16G	4-1437366-2	16 position cable - 100 ft reel
201-20G	4-1437366-3	20 position cable - 100 ft reel
201-26G	4-1437366-6	26 position cable - 100 ft reel
201-34G	4-1437366-7	34 position cable - 100 ft reel
201-40G	5-1437366-0	40 position cable - 100 ft reel
201-50G	5-1437366-1	50 position cable - 100 ft reel
201-60G	5-1437366-2	60 position cable - 100 ft reel

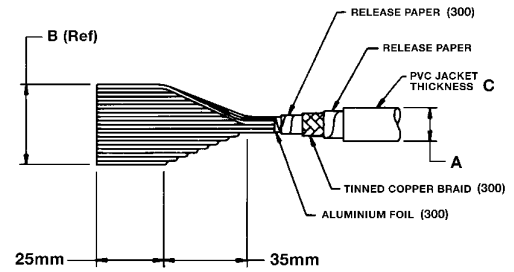
# ANSLEY® IDC CABLE

## PITCH ROUND-TO-FLAT JACKETED CABLE

Ansley® 1.27 mm Pitch round-to-flat cable

**Series 300 - 28 AWG (7/36)**  
**Shielded**

**Series 301 - 28 AWG (7/36)**  
**Non-Shielded**



Product Series	300	301
Wire Size AWG	28	28
Insulation Material	PVC	PVC
Conductor Spacing	1.27mm	1.27mm
Temperature Rating	+80°C	+80°C
Voltage Rating (VRMS)	300	300
Impedance	57Ω	63Ω
Capacitance pF/m	92.2	80.5
Inductance μH/m	0.30	0.33
Velocity of propagation nS/m	4.5	4.4
Typical Crosstalk Rise Characteristics 3.06m Sample 1 line driven		
Rise Time nSec	3.0/7.0	3.0/7.0
Near end (%)	3.8/1.8	4.8/3.5
Far end (%)	4.8/3.3	5.8/3.0
UL style No.	20267	20267

Numbers of positions	Dimensions (mm)			
	A (300)	A (301)	B	C
09	7.0	6.5	11.43	0.8
10	7.0	6.5	12.70	0.8
15	7.5	7.0	19.05	0.8
16	8.4	7.9	20.30	0.8
20	8.5	8.0	25.40	0.8
25	9.2	8.7	31.75	0.8
26	9.8	9.3	33.02	0.8
34	10.5	10.0	43.20	0.8
37	10.6	10.1	47.00	1.0
40	11.3	10.8	50.80	1.0
50	11.6	11.1	63.90	1.0

PRODUCT INFORMATION		
Model number	Tyco order number	Description
300-09	Consult Sales Office	09 position jacketed/shielded cable - 100 ft long
300-10	Consult Sales Office	10 position jacketed/shielded cable - 100 ft long
300-15	0-1437373-9	15 position jacketed/shielded cable - 100 ft long
300-16	1-1437373-3	16 position jacketed/shielded cable - 100 ft long
300-20	1-1437373-6	20 position jacketed/shielded cable - 100 ft long
300-25	2-1437373-0	25 position jacketed/shielded cable - 100 ft long
300-26	2-1437373-3	26 position jacketed/shielded cable - 100 ft long
300-34	2-1437373-7	34 position jacketed/shielded cable - 100 ft long
300-37	3-1437373-0	37 position jacketed/shielded cable - 100 ft long
300-40	3-1437373-3	40 position jacketed/shielded cable - 100 ft long
300-50	3-1437373-6	50 position jacketed/shielded cable - 100 ft long

PRODUCT INFORMATION		
Model number	Tyco order number	Description
301-09	4-1437373-4	09 position jacketed cable - 100 ft long
301-10	4-1437373-7	10 position jacketed cable - 100 ft long
301-15	5-1437373-0	15 position jacketed cable - 100 ft long
301-16	5-1437373-1	16 position jacketed cable - 100 ft long
301-20	5-1437373-3	20 position jacketed cable - 100 ft long
301-25	5-1437373-7	25 position jacketed cable - 100 ft long
301-26	5-1437373-8	26 position jacketed cable - 100 ft long
301-34	6-1437373-2	34 position jacketed cable - 100 ft long
301-37	6-1437373-5	37 position jacketed cable - 100 ft long
301-40	6-1437373-7	40 position jacketed cable - 100 ft long
301-50	6-1437373-9	50 position jacketed cable - 100 ft long



# ANSLEY FLEXSTRIP® JUMPERS

## FLEXSTRIP JUMPERS

### Ansley FLEXSTRIP® Jumpers 2.54mm Pitch

#### DESCRIPTION/APPLICATION

Ansley FLEXSTRIP® Jumpers are multi-conductor board-to-board interconnect devices, pre-plated and ready to use - with out wire stripping, cutting to length, or solder preparation. They provide a convenient, reliable alternative to conventional point-to-point wiring for high density, high vibration PC board interconnect applications.

Ansley FLEXSTRIP® Jumpers may be repeatedly flexed without failure. Flat/round conductor design and one-piece construction give vibration-proof reliability and longer life than conventional wiring systems.

#### NOMEX® INSULATION

- An opaque nylon insulation that has excellent temperature capability
- Can be installed by conventional soldering techniques
- Compatible with surface mount reflow soldering processes
- Suitable for most applications
- Resistant to damage from contact with a hot soldering iron
- UL Style Number 5188

#### PHYSICAL PROPERTIES

**Insulation Material:** NOMEX®

**Conductor Material:** Tin plated copper

#### ELECTRICAL PROPERTIES

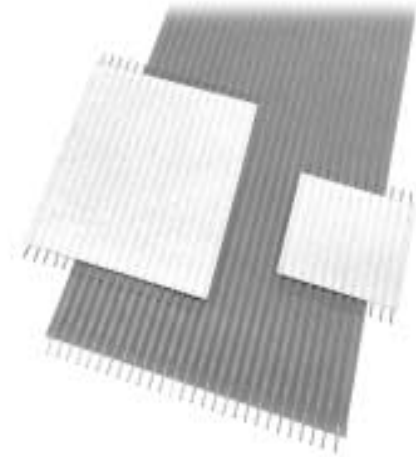
**Current Rating:** 1A/Pin

**Voltage Rating:** 300V

#### ENVIRONMENTAL PROPERTIES

**Temperature Rating:** -40°C to +105°C

**Solder Bath Temperature:** 250°C/4secs



#### ORDERING INFORMATION

Model number	Tyco order number	Description
FSN 21A-3	9-1437139-7	Nomex flex strip 25.4mm long - 3 position
FSN 21A-4	0-1437140-9	Nomex flex strip 25.4mm long - 4 position
FSN 21A-5	1-1437140-1	Nomex flex strip 25.4mm long - 5 position
FSN 21A-6	1-1437140-4	Nomex flex strip 25.4mm long - 6 position
FSN 21A-7	1-1437140-6	Nomex flex strip 25.4mm long - 7 position
FSN 21A-8	1-1437140-9	Nomex flex strip 25.4mm long - 8 position
FSN 21A-9	2-1437140-1	Nomex flex strip 25.4mm long - 9 position
FSN 21A-10	6-1437139-7	Nomex flex strip 25.4mm long - 10 position
FSN 21A-15	7-1437139-7	Nomex flex strip 25.4mm long - 15 position

#### ORDERING INFORMATION

Model number	Tyco order number	Description
FSN 22A-3	5-1437142-2	Nomex flex strip 50.8mm long - 3 position
FSN 22A-4	5-1437142-9	Nomex flex strip 50.8mm long - 4 position
FSN 22A-5	6-1437142-2	Nomex flex strip 50.8mm long - 5 position
FSN 22A-6	6-1437142-7	Nomex flex strip 50.8mm long - 6 position
FSN 22A-7	6-1437142-9	Nomex flex strip 50.8mm long - 7 position
FSN 22A-8	7-1437142-9	Nomex flex strip 50.8mm long - 8 position
FSN 22A-9	7-1437142-5	Nomex flex strip 50.8mm long - 9 position
FSN 22A-10	2-1437142-8	Nomex flex strip 50.8mm long - 10 position
FSN 22A-15	3-1437142-5	Nomex flex strip 50.8mm long - 15 position

#### ORDERING INFORMATION

Model number	Tyco order number	Description
FSN 23A-4	5-1437144-6	Nomex flex strip 76.2mm long - 4 position
FSN 23A-5	5-1437144-8	Nomex flex strip 76.2mm long - 5 position
FSN 23A-6	5-1437144-9	Nomex flex strip 76.2mm long - 6 position
FSN 23A-7	6-1437144-0	Nomex flex strip 76.2mm long - 7 position
FSN 23A-8	6-1437144-2	Nomex flex strip 76.2mm long - 8 position
FSN 22A-9	6-1437144-3	Nomex flex strip 76.2mm long - 9 position
FSN 22A-10	2-1437144-5	Nomex flex strip 76.2mm long - 10 position

# ANSLEY FLEXSTRIP® JUMPER SOCKETS

## FLEXSTRIP SINGLE ROW SOCKETS

Ansley FLEXSTRIP®  
Single Row Sockets  
2.54 mm Pitch



### · PHYSICAL PROPERTIES

**Insulation Material:** Glass filled thermoplastic rated UL 94V-0

**Colour:** Blue

**Contacts:** Copper alloy, tin plating over nickel

### · ELECTRICAL PROPERTIES

**Current Rating:** 1A/Pin

**Insulation Resistance:**  $>1 \times 10^9 \Omega$

**Dielectric Strength:**  $>650$  VRMS at sea level

### · ENVIRONMENTAL PROPERTIES

**Temperature Rating:**  $-40^\circ\text{C}$  to  $+100^\circ\text{C}$



### ORDERING INFORMATION

Model number	Tyco order number	Description
744-3	3-1437223-9	3 position socket
744-4	4-1437223-2	4 position socket
744-5	4-1437223-3	5 position socket
744-6	4-1437223-4	6 position socket
744-7	4-1437223-5	7 position socket
744-8	1-1447223-1	8 position socket
744-9	4-1437223-7	9 position socket
744-10	1-1437223-9	10 position socket
744-15	2-1437223-4	15 position socket

# ALCOSWITCH™ TOGGLE SWITCHES

## "A" SERIES TOGGLES 5 AMP

### The Gemini Series

#### "A" series toggles 5 Amp

- "A" SERIES DESIGN FEATURES**

Meets CSA requirements

**Toggle** - Machined brass, heavy nickel plated

**Bushing & frame** - Rigid one - piece die cast, copper flashed, heavy nickel plated

**Fixed contact** - Welded construction, selective placement of precious metal. (Gold or silver)

**Movable contact** - "Captured" design eliminates possibility of displacement due to shock (O1 function)

**Terminal seal** - Epoxy sealing of terminals is standard

**Termination** - Precious metal (or silver)/brass or copper strip with welded contact area

**Case** - DAP for electrical performance and mechanical strength, UL94VO

- MATERIAL SPECIFICATIONS**

**Contacts:** Gold/gold flash  
Silver/tin lead

**Case material:** Thermoset

**Terminal Seal:** Epoxy

- ENVIRONMENTAL SPECIFICATIONS**

**Operating temperature:** -20°C to +85°C  
(-4°F to +185°F)

**Storage temperature:** -45°C to +100°C  
(-49°F to +212°F)

- TYPICAL PERFORMANCE**

#### CHARACTERISTICS

**Contact rating:** Gold: 0.4 VA @ 20 VAC/DC  
Silver: 2A @ 250 VAC: 5A @ 125 VAC

**Initial contact resistance:** 30 Milliohms max

**Contact timing:** Break before make

**Insulation resistance:** 1,000 Megohms @ 500 VDC

**Dielectric strength:** 1,000 Volts RMS @ sea level

**Actuation force:** Momentary: 950 Grams max

**Plunger/Actuator Travel:** Maintained: 1750 Grams max. 25°

**Life Expectancy:** 30,000 Cycles



SPDT



DPDT

#### PRODUCT INFORMATION

Model number	Tyco order number	Description
A101SYZQ	5-1437554-0	Toggle on-none-on silver contact
A103SYZQ	7-1437554-7	Toggle on-off-on silver contact
A101SYZB	4-1437554-9	Toggle on-none-on gold contact
A103SYZB	7-1437554-6	Toggle on-off-on gold contact

#### PRODUCT INFORMATION

Model number	Tyco order number	Description
A201SYZQ	4-1437555-9	DPDT toggle on-none-on silver contact
A203SYZQ	6-1437555-2	DPDT toggle on-off-on silver contact

#### PRODUCT INFORMATION

Model number	Tyco order number	Description
A101SYAB	4-1437554-3	SPDT toggle on-none-on right angle PCB
A201SYAB	4-1437555-3	DPDT toggle on-none-on right angle PCB

#### PRODUCT INFORMATION

Model number	Tyco order number	Description
A101SYCB	4-1437554-5	SPDT toggle on-none-on PCB
A103SYCB	7-1437554-2	SPDT toggle on-off-on PCB
A201SYCB	4-1437555-5	DPDT toggle on-off-on PCB
A203SYCB	6-1437555-0	DPDT toggle on-off-on PCB



# ALCOSWITCH™ TACT SWITCHES

## MICRO MINIATURE VERTICAL PUSHBUTTONS

Micro miniature vertical pushbuttons with tactile feel

• **MATERIAL SPECIFICATIONS**

- Contacts: Copper alloy, silver plate
- Case material: Polyamide
- Actuator button: Polyacetal resin
- Frame: Copper alloy, tin plate
- Terminals: Copper alloy, silver plate

• **ENVIRONMENTAL SPECIFICATIONS**

- Operating temperature: -4°F to +158°F (-20°C to +70°C)
- Storage temperature: -22°F to +176°F (-30°C to +80°C)

• **TYPICAL PERFORMANCE CHARACTERISTICS**

- Contact rating: 50 mA @ 12 VDC
- Initial contact resistance: 100 Milliohms max
- Insulation resistance: 100 Megohms min. @ 100 VDC
- Dielectric strength: 250VAC
- Actuation force: 160 Grams AVG (STD.)
- Actuator Travel: .012" (0,3)
- Electrostatic discharge w/ESD ground terminal: 5 Kv w/no discharge
- Life Expectancy: 100,000 Cycles

FSM2J  
without ESD terminal



PRODUCT INFORMATION		
Model number	Tyco order number	Description
FSM2J	2-1437565-0	Tactile switch 0.7 mm actuator
FSM4J	3-1437565-6	Tactile switch 1.4 mm actuator
FSM6J	4-1437565-5	Tactile switch 3.4 mm actuator
FSM8J	5-1437565-2	Tactile switch 5.9 mm actuator
FSM10J	0-1437565-7	Tactile switch 3.7 mm actuator
FSM14J	1-1437565-2	Tactile switch 9.4 mm actuator

FSMJ SMA



PRODUCT INFORMATION		
Model number	Tyco order number	Description
FSM2JSMA	2-1437565-7	Tactile switch 0.7 mm actuator SMD
FSM4JSMA	4-1437565-1	Tactile switch 1.4 mm actuator SMD
FSM6JSMA	4-1437565-9	Tactile switch 3.4 mm actuator SMD

FSMRA1J



PRODUCT INFORMATION		
Model number	Tyco order number	Description
FSMRA1J	8-1437565-4	Right angle tactile switch 0.55 mm actuator
FSMRA2J	8-1437565-5	Right angle tactile switch 1.25 mm actuator
FSMRA3J	9-1437565-0	Right angle tactile switch 3.25 mm actuator
FSMRA4J	9-1437565-1	Right angle tactile switch 5.74 mm actuator
FSMRA5J	9-1437565-2	Right angle tactile switch 3.55 mm actuator
FSMRA6J	9-1437565-3	Right angle tactile switch 4.25 mm actuator
FSMRA7J	9-1437565-5	Right angle tactile switch 9.25 mm actuator

FSM4JRT



PRODUCT INFORMATION		
Model number	Tyco order number	Description
FSM2JRT	2-1437565-6	Tactile switch 0.7 mm actuator radial tape
FSM4JRT	4-1437565-0	Tactile switch 1.4 mm actuator radial tape
FSM6JRT	4-1437565-8	Tactile switch 3.4 mm actuator radial tape

# ALCOSWITCH™ TACT SWITCHES

## 12 MM PUSHBUTTONS

**FSM100-104 series**  
**12 mm pushbuttons with**  
**“flush and extended actuators”**

• **MATERIAL SPECIFICATIONS**

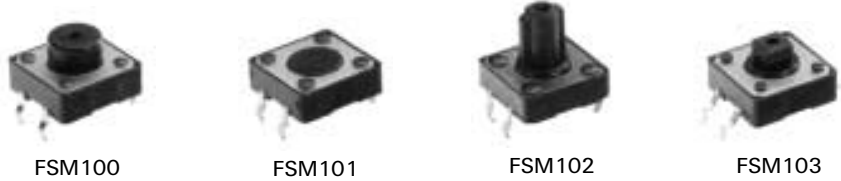
**Contacts:** Copper alloy, silver plate  
**Case material:** Polyester  
**Actuator button:** Polyacetal resin  
**Frame:** Polyamide  
**Terminals:** Copper alloy

• **ENVIRONMENTAL SPECIFICATIONS**

**Operating temperature:** -20°C to +70°C  
**Storage temperature:** -30°C to +80°C

• **TYPICAL PERFORMANCE CHARACTERISTICS**

**Contact rating:** 50 mA @ 12 VDC  
**Initial contact resistance:** 100 Milliohms max  
**Insulation resistance:** 100 Megohms min.  
 @ 100 VDC  
**Dielectric strength:** 250VAC  
**Actuation force:** 160 Grams AVG (STD.)  
**Actuator Travel:** .012" (0,3)  
**Life Expectancy:** 100,000 Cycles



PRODUCT INFORMATION		
Model number	Tyco order number	Description
FSM100	0-1437565-2	12 mm pushbutton flush actuator
FSM101	0-1437565-3	12 mm pushbutton extended actuator
FSM102	0-1437565-4	12 mm pushbutton extended actuator
FSM103	0-1437565-5	12 mm pushbutton extended actuator
FSM104	0-1437565-6	12 mm pushbutton right angle extended actuator

# ALCOSWITCH™ SLIDE SWITCHES

## AUTO INSERTABLE SLIDE SWITCHES

**ASE/F series**  
**Auto-insertable slide switch**  
**thru hole and surface mount**

• **MATERIAL SPECIFICATIONS**

**Contacts:** Gold: .000030" over .000100" nickel  
 Silver: .000050" over nickel flash  
**Case material:** Polyester  
**Actuator button:** Polyester  
**Frame:** Polyamide  
**Terminals/fixed contacts:** Copper alloy

• **ENVIRONMENTAL SPECIFICATIONS**

**Operating temperature:** -40°C to +80°C  
**Storage temperature:** -40°C to +200°C

• **TYPICAL PERFORMANCE CHARACTERISTICS**

**Contact rating:**  
 Gold: 0.4 VA @ 20 VDC max. shorting type  
 Silver: 300 mA @ 115 VAC 28 VDC  
**Insulation resistance:** 1000 Megohms  
 @ 500 VDC min  
**Dielectric strength:** 1,000 Volts  
 RMS @ sea level  
**Life Expectancy:** 10,000 Cycles



PRODUCT INFORMATION		
Model number	Tyco order number	Description
ASE22	0-1437581-2	Slide DPDT silver
ASE22G	0-1437581-4	Slide DPDT gold
ASE42	1-1437581-4	Slide 4PDT silver
ASE42G	1-1437581-6	Slide 4PDT gold
ASE62	3-1437581-1	Slide 6PDT silver
ASE62G	3-1437581-3	Slide 6PDT gold

PRODUCT INFORMATION		
Model number	Tyco order number	Description
ASE22R	0-1437581-8	Slide DPDT side actuator silver
ASE22RG	0-1437581-9	Slide DPDT side actuator gold
ASE42R	1-1437581-9	Slide 4PDT side actuator silver
ASE42RG	2-1437581-0	Slide 4PDT side actuator gold
ASE62R	3-1437581-6	Slide 6PDT side actuator silver
ASE62RG	3-1437581-6	Slide 6PDT side actuator gold

# ALCOSWITCH™ SLIDE SWITCHES

## AUTO INSERTABLE SLIDE SWITCHES



ASF22

PRODUCT INFORMATION		
Model number	Tyco order number	Description
ASF22	5-1437581-6	Slide DPDT flush actuator
ASF22G	5-1437581-8	Slide DPDT flush actuator gold
ASF42	6-1437581-8	Slide 4PDT flush actuator
ASF42G	7-1437581-0	Slide 4PDT flush actuator gold
ASF62	8-1437581-4	Slide 6PDT flush actuator
ASF62G	8-1437581-6	Slide 6PDT flush actuator gold



ASF22R

PRODUCT INFORMATION		
Model number	Tyco order number	Description
ASF22R	6-1437581-2	Slide DPDT side flush actuator
ASF22RG	6-1437581-3	Slide DPDT side flush actuator gold
ASF42R	7-1437581-3	Slide 4PDT side flush actuator
ASF42RG	7-1437581-4	Slide 4PDT side flush actuator gold

# ALCOSWITCH™ DIP SWITCHES

## DIP SWITCHES

**GD Series**  
Dip switches "End to End Stackable"  
through hole & surface mount

- **FEATURES**
  - Conventional gold wiping contact system
  - Available in surface mount configurations
  - Traditional tape seal standard
  - 95% Minimum solder coverage (90/10 tin lead)
  - Withstands wave soldering temperature of 245°C for 3-5 seconds
  - Heat deflection temperature of 260°C for surface mount compatibility
  - Vacuum pick & place compatible (GDS, GDB & GDH)
  - Half pitch .050" terminal spacing (GDH version)
  - Available in optional tape & reel packaging

- **MATERIAL SPECIFICATIONS**

**Moving Contact:** Gold over nickel over copper alloy

**Fixed contact:** Gold over copper alloy

**Base material:** PPS UL94V-0

**Cover material:** PPS UL94V-0

**Actuator material:** High temperature polyester/polyamide

**Terminal:** Tin lead plated over nickel over copper alloy

- **ENVIRONMENTAL SPECIFICATIONS**

**Operating temperature:** -30°C to +85°C

**Storage temperature:** -45°C to +100°C
- **TYPICAL PERFORMANCE CHARACTERISTICS**

**Contact rating:** 0.4 VA 25 ma @ 24 VDC

**Initial contact resistance:** 100 Milliohms max

**Insulation resistance:** 100 Megohms @ 250 VDC

**Dielectric strength:** 300 VAC

**Life Expectancy:** 1,000 Cycles

**Operating force:** 60-600 grams



GDH085

PRODUCT INFORMATION		
Model number	Tyco order number	Description
GDH02S	1-1437590-0	Half pitch dip switch 2 position SMD
GDH04S	1-1437590-4	Half pitch dip switch 4 position SMD
GDH06S	1-1437590-9	Half pitch dip switch 6 position SMD
GDH08S	2-1437590-2	Half pitch dip switch 8 position SMD
GDH10S	2-1437590-6	Half pitch dip switch 10 position SMD

# ALCOSWITCH™ DIP SWITCHES

## AUTO INSERTABLE AND SURFACE MOUNTABLE DIP SWITCH

Auto-insertable and surface mountable dip switch  
 "Extended or Flush Actuator"  
 Through Hole & Surface Mount



ADE08  
Extended Actuator

• **FEATURES**

- Available in PC and surface mount termination versions
- High pressure wiping contact allows aqueous or solvent cleaning without tape seal
- Auto insertable using insertion equipment from Amistar, Dynpert, Panasert, Northeastern Tool & Universal. (Flush actuator versions)
- Tape seal version for vacuum pick-n-place
- Unique design can withstand vapour phase reflow or wave soldering conditions
- Gas tight contacts

• **MATERIAL SPECIFICATIONS**

**Moving Contact:** Gold flashed copper alloy  
**Base material:** Polyester/PPS  
**Cover material:** Polyester/pps UL94V-0  
**Actuator material:** Polyester/polyamide UL94V-0  
**Fixed contact & terminal:** AD series: solder coated brass

• **ENVIRONMENTAL SPECIFICATIONS**

**Operating temperature:** -30°C to +85°C  
**Storage temperature:** -45°C to +100°C  
**Solder heat resistance:** 245°C+/-5°C with switch in "off" position, 30 seconds when mounted on a .060" thick PCB per MIL-S TD202, method 110  
**Cleaning:** Aqueous solution or solvent

• **TYPICAL PERFORMANCE CHARACTERISTICS**

**Contact rating:** 0.4 VA @ 20 VDC max  
**Initial contact resistance:** 1,000 Milliohms min. @ 100 VDC  
**Insulation resistance:** 1,000 Megohms min. @ 100 VDC  
**Dielectric strength:** 500 VAC  
**Operating force:** Less than 1,000 grams  
**Actuator travel:** AD/R series 1.30 mm/.050" piano style 25°  
**Life Expectancy:** 1,000 Cycles

PRODUCT INFORMATION		
Model number	Tyco order number	Description
ADE02	0-1437586-2	Dip switch 2 position
ADE04	1-1437586-0	Dip switch 4 position
ADE06	1-1437586-8	Dip switch 6 position
ADE08	2-1437586-6	Dip switch 8 position
ADE10	3-1437586-2	Dip switch 10 position



ASF08S  
Flush Actuator

PRODUCT INFORMATION		
Model number	Tyco order number	Description
ADF02	4-1437586-2	Dip switch 2 position flush actuator
ADF04	5-1437586-7	Dip switch 4 position flush actuator
ADF06	7-1437586-1	Dip switch 6 position flush actuator
ADF08	8-1437586-6	Dip switch 8 position flush actuator
ADF10	0-1437587-1	Dip switch 10 position flush actuator

PRODUCT INFORMATION		
Model number	Tyco order number	Description
ADF02S	4-1437586-4	Dip switch 2 position flush SMT
ADF04S	5-1437586-9	Dip switch 4 position flush SMT
ADF06S	7-1437586-5	Dip switch 6 position flush SMT
ADF08S	8-1437586-8	Dip switch 8 position flush SMT
ADF10S	0-1437587-3	Dip switch 10 position flush SMT

PRODUCT INFORMATION		
Model number	Tyco order number	Description
ADP02	1-1437587-1	Piano dip switch 2 position
ADP04	1-1437587-5	Piano dip switch 4 position
ADP06	2-1437587-2	Piano dip switch 6 position
ADP08	2-1437587-6	Piano dip switch 8 position
ADP10	3-1437587-3	Piano dip switch 10 position

# ALCOSWITCH™ ROTARY SWITCHES

## "SEALED DIP ROTARY" SWITCH

"Sealed dip rotary" switch  
through-hole and surface mount

### MATERIAL SPECIFICATIONS

**Contacts:** Gold flashed copper alloy  
**Terminals:** Tin lead plated brass  
**Base, Rotor, Case:** Glass filled PBT resin  
**Movable contact:** Gold flashed copper alloy  
**Ball support plate:** Copper alloy  
**Detent spring:** Stainless steel (spring)

### ENVIRONMENTAL SPECIFICATIONS

**Operating temperature:** -30°C to +85°C  
**Storage temperature:** -45°C to +100°C  
**Vibration resistance:** Subjected to vibration of 10-55hz per second with a total amplitude of .06" in 3 mutually perpendicular directions for 2 hours each  
**Shock resistance:** Will withstand 50G acceleration in 3 different planes for a period of 11 milliseconds  
**Salt spray test:** Withstands an atmosphere of 5% salt water at temperature of 50°C  
**Hydrogen sulfide test:** Withstands an atmosphere of 15-20 PPM hydrogen sulfide gas at temperature of 40°C for 240 hours  
**Atmospheric test:** Withstands an atmosphere of 30-50 PPM sulfite gas at a temperature of 40°C for 240 hours  
**Solder heat resistance:** Withstands 5 sec. flow solder bath of 260°C when mounted on a .06" thick PC board per MIL-STD 202, method 210  
**Bubble test:** Withstands submersion in 60°C Flouriert for 1 min. without leakage

### TYPICAL PERFORMANCE CHARACTERISTICS

**Contact rating:** 0.4 VA @ 20 VDC max  
**Initial contact resistance:** 50 Milliohms max. @ 2 VDC  
**Insulation resistance:** 1,000 megohms min. @ 100 VDC  
**Dielectric strength:** 300 VAC RMS @ sea level  
**Actuation strength (DRM):** 5.0 Lbs. max. lateral force  
**Operating force:** 6 Oz.-in. nom.  
**SMT operating force:** 3 Oz.-in. nom  
**Life Expectancy:** 10 pos: 2,000



DRD10E



DRD16CE

### PRODUCT INFORMATION

Model number	Tyco order number	Description
DRD10E	1-1437584-1	Binary coded rotary dip switch
DRD16E	1-1437584-9	Hexadecimal coded rotary dip switch
DRD10SE	1-1437584-3	Binary coded SMD rotary dip switch
DRD16SE	2-1437584-1	Hexadecimal coded SMD rotary dip switch
DRD10CE	0-1437584-6	Binary complement code rotary switch
DRD16CE	1-1437584-6	Hexadecimal complement
DRD10RA	1-1437584-2	Binary coded right angle rotary
DRD16RA	2-1437584-0	Hexadecimal coded right angle rotary



# AUGAT™ PLCC'S

## PCS SERIES

### Chip Carrier Sockets

#### FEATURES

- The PCS series chip carrier sockets accepts Jedec type "A" plastic leaded chip carriers on .050" (1.27) centres. These dependable sockets combine positive retention of the package with high normal force to ensure outstanding electrical and mechanical performance. The solder tail design allows through-hole board patterns on .100" (2.54) grid.
- High normal force, 200 grams (7.1 oz.) min.
- Internal standoff ensures proper positioning of chip carrier in socket
- Visual aids external to socket assure easy registration to printed wiring board
- Easy access for probing installed chip carrier
- Standoffs and four drain holes aid in cleaning
- PLCC Extraction tool available
- Accepts JEDEC PLCC's MO-047 AA-AH (20-84), MO-052 AE (32 RECT)
- Recognised under the Component Program of Underwriters Laboratories, Inc. file no. E111362

#### MATERIAL SPECIFICATIONS

**Insulator:** PPS, UL rated 94V-0  
**Contact:** Phosphor bronze  
**Plating:** Tin/Lead



#### PRODUCT INFORMATION

Model number	Tyco order number	Description
PCS-020A-1	0-1437528-7	20 way PLCC socket
PCS-028A-1	1-1437528-3	28 way PLCC socket
PCS-032A-1	1-1437528-9	32 way PLCC socket
PCS-044A-1	2-1437528-6	44 way PLCC socket
PCS-052A-1	3-1437528-4	52 way PLCC socket
PCS-068A-1	4-1437528-2	68 way PLCC socket
PCS-084A-1	4-1437528-9	84 way PLCC socket

# AUGAT™ LOW PROFILE PLCC'S

## PCSZT RANGE

### Low profile Chip Carrier Sockets

#### FEATURES

- The PCSZT series low profile chip carrier socket accept plastic leaded chip carriers on .050" (1.27) centres. These dependable sockets combine positive retention of the package with high normal force to ensure outstanding electrical and mechanical performance. Two piece insulator construction leaves terminal circuitry unexposed on the bottom of the socket. The solder tail design allows thru-hole board patterns on .100" (2.54) grid.
- High normal force, 150 grams (5.3 oz.) min.
- Internal standoff ensures proper positioning of chip carrier in socket
- Visual aids external to socket assure easy registration to printed wiring board
- Easy access for probing installed chip carrier
- Standoffs and four drain holes aid in cleaning
- PLCC Extraction tool available

#### MATERIAL SPECIFICATIONS

**Insulator:** PPS, UL rated 94V-0  
**Contact:** Phosphor bronze  
**Plating:** Tin/Lead



#### PRODUCT INFORMATION

Model number	Tyco order number	Description
PCSZT-020A-1	5-1437528-6	20 way PLCC socket
PCSZT-028A-1	5-1437528-7	28 way PLCC socket
PCSZT-032A-1	5-1437528-8	32 way PLCC socket
PCSZT-044A-1	5-1437528-9	44 way PLCC socket
PCSZT-052A-1	6-1437528-0	52 way PLCC socket
PCSZT-068A-1	6-1437528-1	68 way PLCC socket
PCSZT-084A-1	6-1437528-2	84 way PLCC socket

# AUGAT™ SURFACE MOUNT PLCC'S

## SURFACE MOUNT SOCKETS

### Ultra low profile Surface Mount Chip Carrier Socket

**FEATURES**

- The SMU series surface mount chip carrier sockets are an "Ultra" low profile, .175" (4.45) for JEDEC dimensioned PLCC devices. The lower profile accommodates height packaging restrictions in high density disk drive and laptop applications. With a PCB footprint which matches PLCC device and an open insulator design to facilitate placement and inspection, the SMU Series meets your high density packaging needs.
- Accepts JEDEC PLCC's MO-047 AA-AH (20-84) and MO-052 AE (32 RECT)
- High temperature insulator material compatible with vapour phase and infrared reflow processing
- Visual markings internal and external to socket assure easy registration
- Optional locating posts
- Open insulator design aids in placement, inspection and cleaning of solder joints

- UL recognition under Component Program of Underwriters Laboratories, Inc. file no. E111362 pending
- PLCC Extraction tool available



**MATERIAL SPECIFICATIONS**

**Insulator:** PPS, UL rated 94V-0  
**Contact:** Phosphor bronze  
**Plating:** Tin/Lead

PRODUCT INFORMATION		
Model number	Tyco order number	Description
PCS-020SMU-11	0-1437528-9	20 way surface mount PLCC socket
PCS-028SMU-11	1-1437528-5	28 way surface mount PLCC socket
PCS-032SMU-11	2-1437528-1	32 way surface mount PLCC socket
PCS-044SMU-11	2-1437528-9	44 way surface mount PLCC socket
PCS-052SMU-11	3-1437528-7	52 way surface mount PLCC socket
PCS-068SMU-11	4-1437528-4	68 way surface mount PLCC socket
PCS-084SMU-11	5-1437528-1	84 way surface mount PLCC socket

# AUGAT™ IC SOCKETS

## OPEN FRAME IC SOCKETS

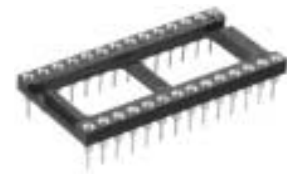
### Four-finger contact open insulator DIP sockets

**FEATURES**

- The 800 series combines precision four-finger inner contacts with an open ladder insulator to produce an exceptional high-reliability socket.
- Precision four-finger inner contacts provide concentric funnel entry for easy flat and round lead insertion
- Low profile "X" & "Y" stackable. Open ladder design for cooling, cleaning and inspection.
- Accommodates 8 through 64 pins DIPS, rectangular or round JC leads
- Non-wicking, closed bottom sleeve provides 100% protection against flux and solder contamination
- Recognised under the Component Program of Underwriter Laboratories, Inc. File no. E111362
- Beryllium copper inner contact for maximum mechanical and electrical performance

**APPLICATION DIMENSIONS**

**PCB thickness range:** Standard .062" & .092" (1.57 & 2.34)  
**PCB hole size range:** .035" +/- .002" (0.89 +/- 0.05) PC tail, .055" +/- .003" (1.40 +/- 0.08) solderless wrap  
**IC pin dimension range:** .009" x .015" (0.23 x 0.38) through .011" x .020" (0.28 x 0.51)  
 .016" to .021" (0.41 to 0.53) round lead  
 .105" (2.67) min. length



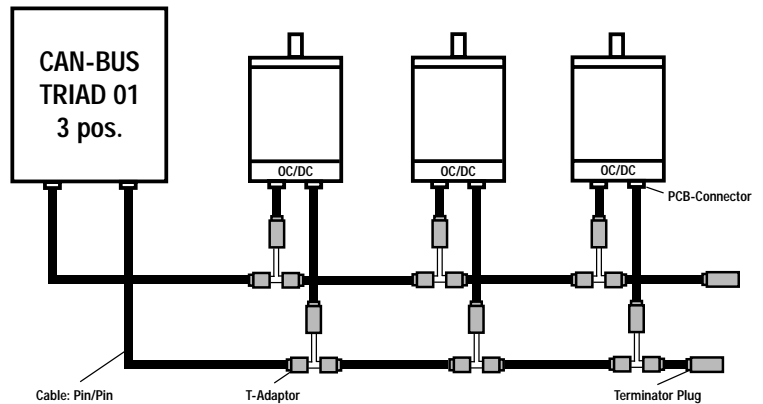
PRODUCT INFORMATION		
Model number	Tyco order number	Description
808-AG11D-ESL	0-1437539-6	8 position
814-AG11D-ESL	1-1437539-7	14 position
816-AG11D-ESL	2-1437539-9	16 position
818-AG11D-ESL	4-1437539-4	18 position
820-AG11D-ESL	5-1437539-3	20 position
822-AG11D-ESL	6-1437539-3	22 position
824-AG11D-ESL	7-1437539-0	24 position
828-AG11D-ESL	9-1437539-2	28 position
832-AG11D-ESL	0-1437540-3	32 position
836-AG11D-ESL	1-1437540-1	36 position
840-AG11D-ESL	1-1437540-7	40 position
842-AG11D-ESL	2-1437540-4	42 position
848-AG11D-ESL	4-1437538-2	48 position
864-AG11D-ESL	5-1437538-0	64 position

# TRIAD™ 01

**TRIAD 01** is a subminiature circular connector system which can be used for applications where shielding is a requirement. Beside the excellent shielding properties of **TRIAD 01** there is also a good resistance against UV beams because of the OPTALOY® plating for all metal shellparts. **TRIAD 01** is a liquid and dust tight system according to IP65 protection-class (DIN 40050).

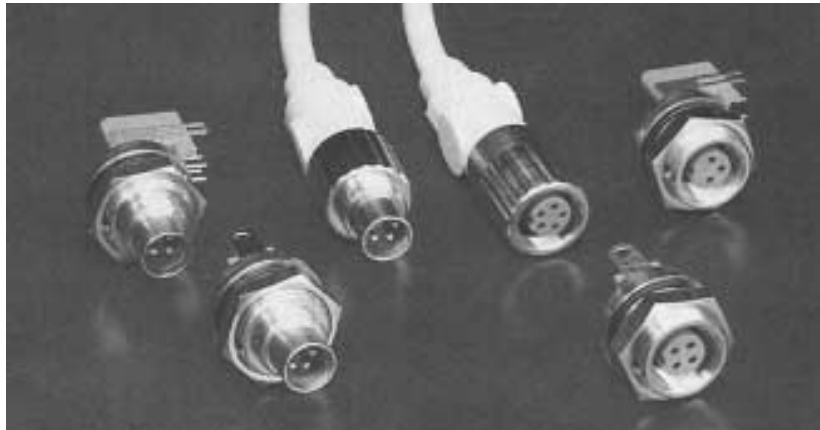
A 3x0 ring design of the **TRIAD 01** panel-mount connectors is ideal for using the **TRIAD 01** system in smoke-analysis applications. Special T-adaptors with either a **TRIAD 01** connector or a SUB-D connector as Interface-Plug are offering the usage of **TRIAD 01** for BUS wiring like for a CAN- or for a MOD-BUS. Both systems consist of 3 items:

- 1 - The T-Adaptor
- 2 - The "Trunk" Cable - an overmoulded cable
- 3 - Terminator Plug

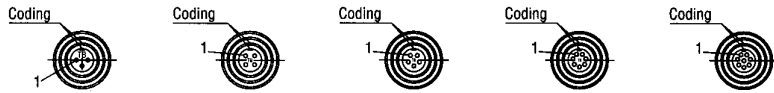


# TRIAD™ 01

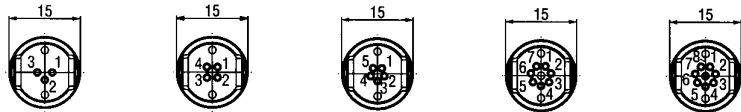
## Shielded Subminiature Circular Connectors Panel Mount Version



Arrangement of Contacts/Mating side pin version



Arrangement of Contacts/  
Termination side pin version.  
(for sockets, arrangement is mirror image of pin version)



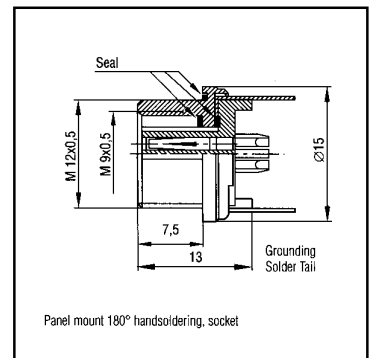
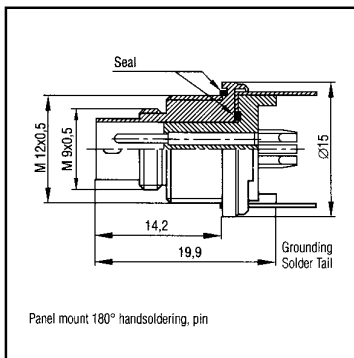
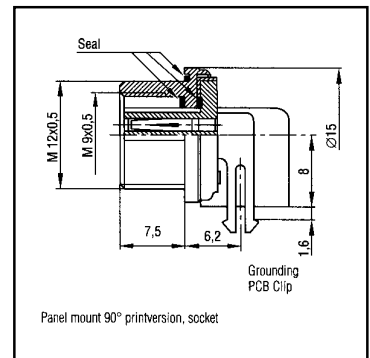
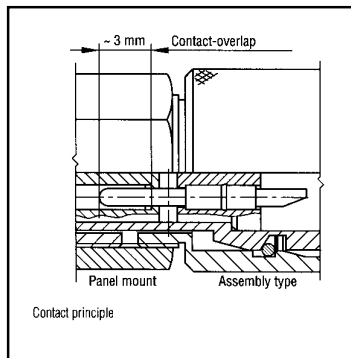
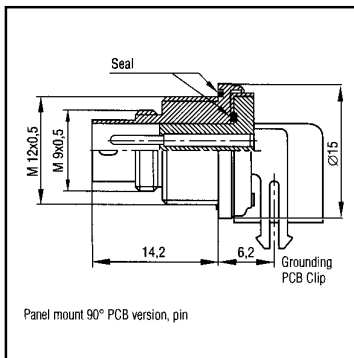
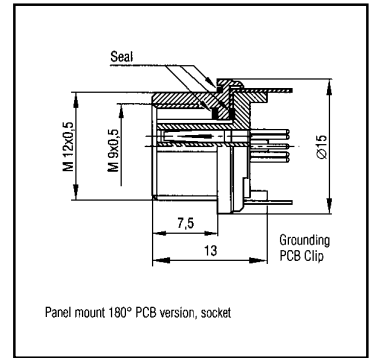
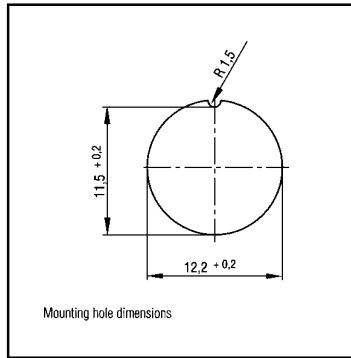
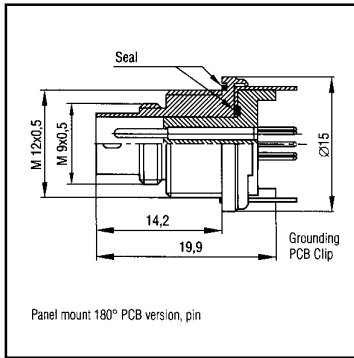
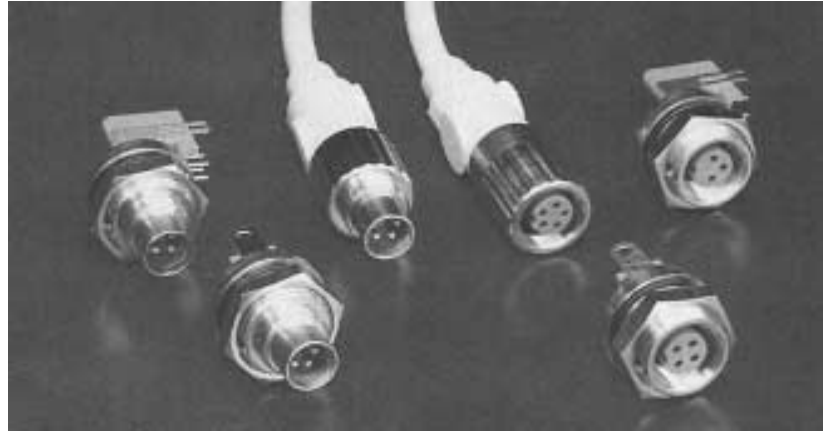
No. of Contacts	3	4	5	7	8
	<b>Model number</b>				
Panel Mount 180° PCB version, pin	T01-0570-P03	T01-0570-P04	T01-0570-P05	T01-0570-P07	T01-0570-P08
Panel Mount 180° PCB version, socket	T01-0570-S03	T01-0570-S04	T01-0570-S05	T01-0570-S07	T01-0570-S08
Panel Mount 90° PCB version, pin	T01-0560-P03	T01-0560-P04	T01-0560-P05	-	-
Panel Mount 90° PCB version, socket	T01-0560-S03	T01-0560-S04	T01-0560-S05	-	-
Panel Mount 180° Handsolder version, pin	T01-0580-P03	T01-0580-P04	T01-0580-P05	T01-0580-P07	T01-0580-P08
Panel Mount 180° Handsolder version, pocket	T01-0580-S03	T01-0580-S04	T01-0580-S05	T01-0580-S07	T01-0580-S08

No. of Contacts	3	4	5	7	8
	<b>Tyco order number</b>				
Panel Mount 180° PCB version, pin	6-1437719-3	6-1437719-4	6-1437719-5	on request	on request
Panel Mount 180° PCB version, socket	6-1437719-6	6-1437719-9	7-1437719-2	7-1437719-5	7-1437719-8
Panel Mount 90° PCB version, pin	4-1437719-5	4-1437719-8	5-1437719-1	n/a	n/a
Panel Mount 90° PCB version, socket	5-1437719-4	5-1437719-7	6-1437719-0	n/a	n/a
Panel Mount 180° Handsolder version, pin	8-1437719-1	8-1437719-4	8-1437719-7	9-1437719-0	9-1437719-3
Panel Mount 180° Handsolder version, pocket	9-1437719-6	9-1437719-9	0-1437720-3	0-1437720-6	0-1437720-9

Technical Data	3	4	5	7	8
Termination	Soldering				
Plating	Tribor 4 µm				
Dielectric of insert	PBT UL 94-V2				
Shell protection class	IP 65 acc. DIN 40050				
Shell material	CuZn				
Operating temperature range	-40°C to +85°C				
Mating cycles	>500				
Wire gage	max. 0.25 mm <sup>2</sup>		max. 0.14 mm <sup>2</sup>		
Rated current per contact	3 A		1 A		
Test voltage	500 V AC		500 V AC		
Operating voltage	60 V AC		60 V AC		
Contact resistance	< 3m Ω		< 5 m Ω		

# TRIAD™ 01

## Shielded Subminiature Circular Connectors Panel Mount Version

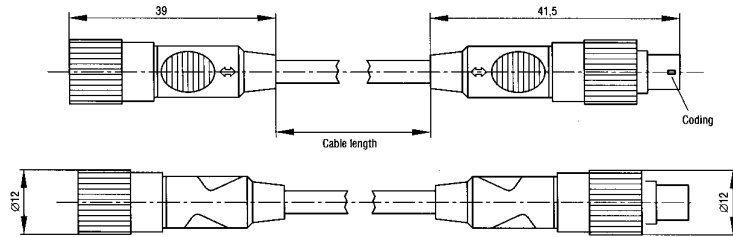
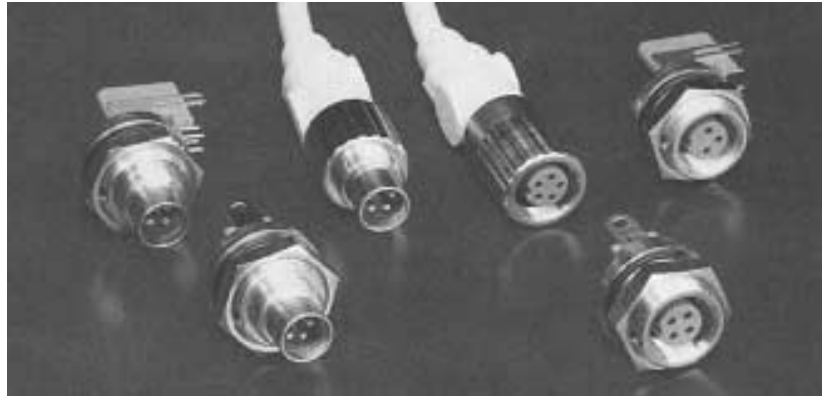






# TRIAD™ 01

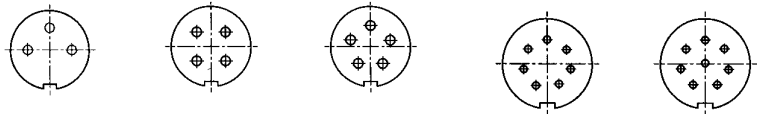
## Shielded Subminiature Circular Connectors Cable assemblies with overmoulded Connectors



Cable with overmoulded connector

24

### Arrangement of Contacts



No. of Contacts	3	4	5	7	8
	<b>Model number</b>				
Cable length 1 m	T01-0599-B03-A	T01-0599-B04-A	T01-0599-B05-A	T01-0599-B07-A	T01-0599-B08-A
Cable length 3 m	T01-0599-B03-B	T01-0599-B04-B	T01-0599-B05-B	T01-0599-B07-B	T01-0599-B08-B
Cable length 5 m	T01-0599-B03-C	T01-0599-B04-C	T01-0599-B05-C	T01-0599-B07-C	T01-0599-B08-C

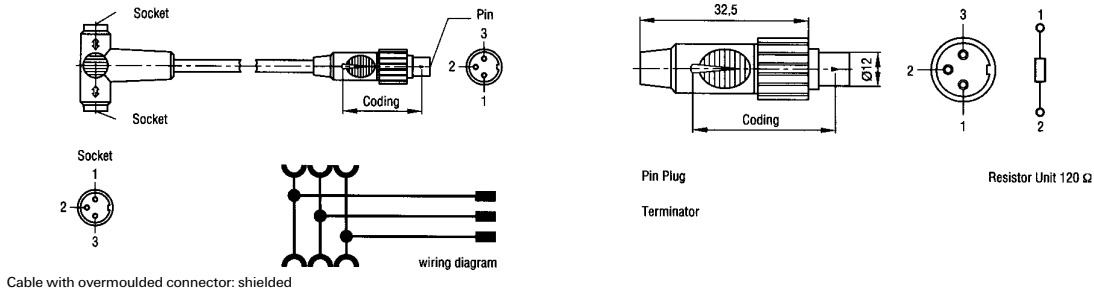
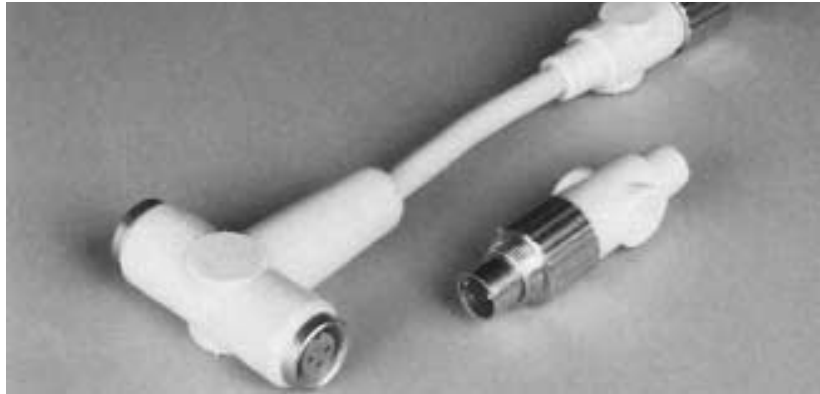
No. of Contacts	3	4	5	7	8
	<b>Tyco order number</b>				
Cable length 1 m	2-1437720-2	on request	on request	on request	on request
Cable length 3 m	2-1437720-3	2-1437720-7	3-1437720-1	3-1437720-4	3-1437720-8
Cable length 5 m	on request	on request	on request	3-1437720-5	on request

Technical Data	3	4	5	7	8
Termination	Soldering				
Plating	Tribor 4 µm				
Dielectric of insert	PBT UL 94-V2				
Shell protection class	IP 65 acc. DIN 40050				
Shell material	CuZn				
Operating temperature range	-40°C to +85°C				
Mating cycles	>500				
Wire gage	max. 0.25 mm <sup>2</sup>		max. 0.14 mm <sup>2</sup>		
Rated current per contact	3 A		1 A		
Test voltage	500 V AC		500 V AC		
Operating voltage	60 V AC		60 V AC		
Contact resistance	< 3mΩ		< 5 mΩ		

Priority type available from stock

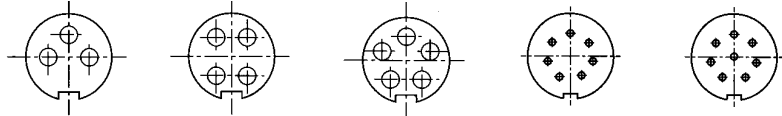
# ► TRIAD™ 01

**Shielded Subminiature  
Circular Connectors  
Accessories and Specials  
CAN-BUS Components  
Non-interrupted Power  
Supply for Network Devices**



25

Arrangement of Contacts



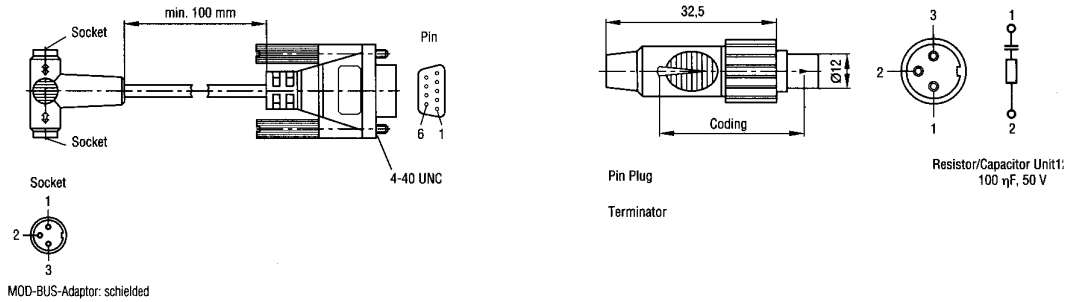
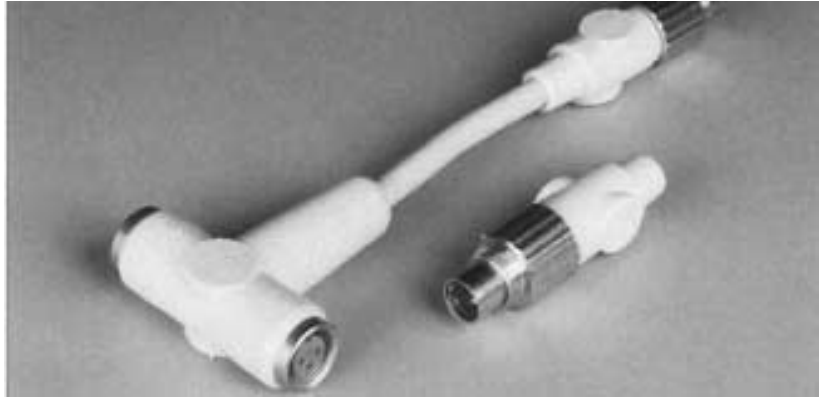
No. of Contacts	3	4	5	7	8
	Model number				
T-Adaptor	T01-05T-SSP03-T	T01-05T-SSP04-T	T01-05T-SSP05-T	T01-05T-SSP07-T	T01-05T-SSP08-T
Terminator Resistor Unit	T01-05R-P03-120	-	-	-	-

No. of Contacts	3	4	5	7	8
	Tyco order number				
T-Adaptor	4-1437720-9	on request	on request	on request	on request
Terminator Resistor Unit	4-1437720-7	n/a	n/a	n/a	n/a

Technical Data	3	4	5	7	8
Termination	Soldering				
Plating	Tribor 4 µm				
Dielectric of insert	PBT UL 94-V2				
Shell protection class	IP 65 acc. DIN 40050				
Shell material	CuZn				
Operating temperature range	-40°C to +85°C				
Mating cycles	>500				
Wire gage		max. 0.25 mm <sup>2</sup>		max. 0.14 mm <sup>2</sup>	
Rated current per contact		3 A		1 A	
Test voltage		500 V AC		500 V AC	
Operating voltage		60 V AC		60 V AC	
Contact resistance		< 3m Ω		< 5 m Ω	

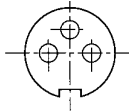
# TRIAD™ 01

## Shielded Subminiature Circular Connectors Accessories and Specials MOD-BUS Components



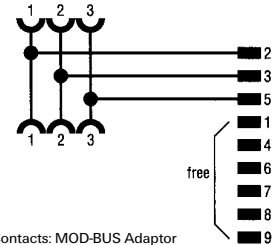
Cable assemblies, with overmoulded connectors: shielded

### Arrangement of Contacts



No. of Contacts	3
Model number	
MOD-BUS Adaptor	T01-05T-MOD03-T
Terminator Resistor/Capacitor Unit	T01-05R-P03-RC

No. of Contacts	3
Tyco order number	
MOD-BUS Adaptor	on request
Terminator Resistor/Capacitor Unit	on request

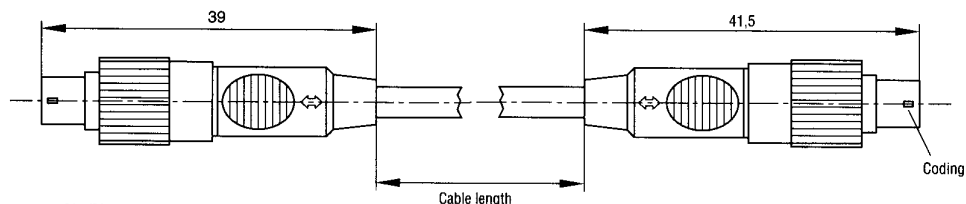


Assignment of Contacts: MOD-BUS Adaptor

Technical Data	3
Termination	Soldering
Plating	Tribor 4 µm
Dielectric of insert	PBT UL 94-V2
Shell protection class	IP 65 acc. DIN 40050
Shell material	CuZn
Operating temperature range	-40°C to +85°C
Mating cycles	>500
Wire gage	max. 0.125 mm <sup>2</sup>
Rated current per contact	3 A
Test voltage	500 V AC
Operating voltage	60 V AC
Contact resistance	<3 mΩ

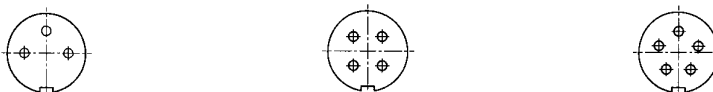
# ► TRIAD™ 01

**Shielded Subminiature  
Circular Connectors  
Accessories and Specials  
BUS-Cable Assemblies  
with Overmoulded Connectors**



Cable with overmoulded connector: Pin/Pin

Arrangement of Contacts



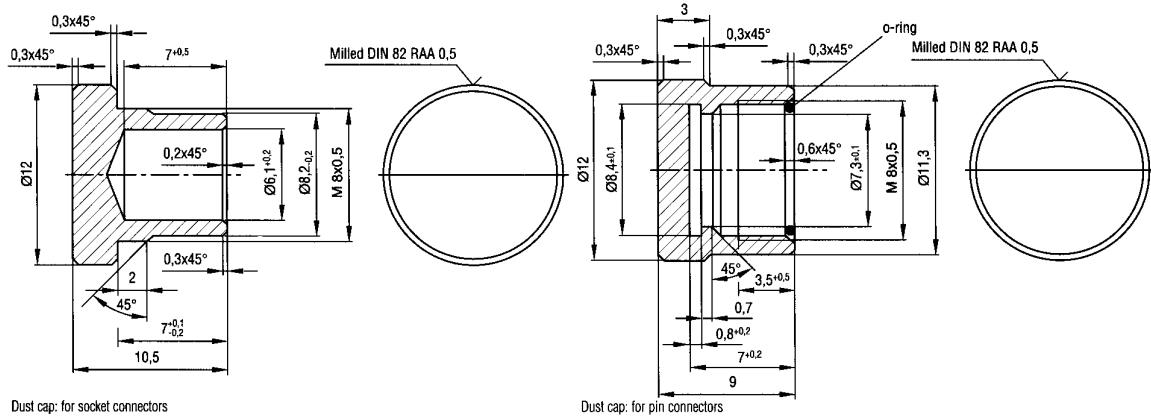
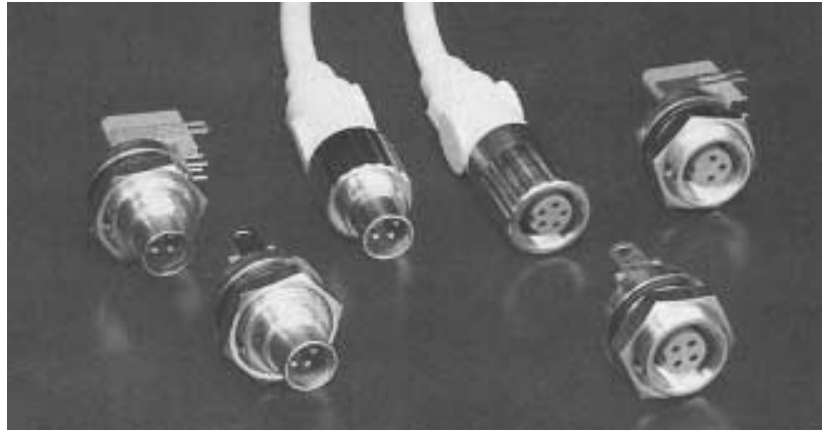
No. of Contacts	3	4	5
		<b>Model number</b>	
Cable length 0.5 m	T01-0599-PP03-F	T01-0599-PP04-F	T01-0599-PP05-F
Cable length 1 m	T01-0599-PP03-A	T01-0599-PP04-A	T01-0599-PP05-A
Cable length 2 m	T01-0599-PP03-E	T01-0599-PP04-E	T01-0599-PP05-E
Cable length 5 m	T01-0599-PP03-C	T01-0599-PP04-C	T01-0599-PP05-C

No. of Contacts	3	4	5
		<b>Tyco order number</b>	
Cable length 0.5 m	<b>6-1437720-5</b>	on request	on request
Cable length 1 m	<b>6-1437720-2</b>	on request	on request
Cable length 2 m	<b>6-1437720-4</b>	on request	on request
Cable length 5 m	<b>6-1437720-3</b>	on request	on request

Technical Data	3	4	5
Termination		Soldering	
Plating		Tribor 4 µm	
Dielectric of insert		PBT UL 94-V2	
Shell protection class		IP 65 acc. DIN 40050	
Shell material		CuZn	
Operating temperature range		-40°C to +85°C	
Mating cycles		>500	
Wire gage		max. 0.25 mm <sup>2</sup>	
Rated current per contact		3 A	
Test voltage		500 V AC	
Operating voltage		60 V AC	
Contact resistance		< 3m Ω	

# TRIAD™ 01

## Shielded Subminiature Circular Connectors Accessories and Specials Dust Caps



No. of Contacts	3	4	5	7	8
			<b>Model number</b>		
For Pin Plugs	-	-	T01-0500-P	-	-
For Socket Connectors	-	-	T01-0500-S	-	-

No. of Contacts	3	4	5	7	8
			<b>Tyco order number</b>		
For Pin Plugs	-	-	<b>0-1437719-6</b>	-	-
For Socket Connectors	-	-	<b>0-1437719-8</b>	-	-

Technical Data	3	4	5	7	8
Shell protection class	IP 65 acc. DIN 40050				
Shell material	CuZn				
Operating temperature range	-40°C to +85°C				



# ▶ TRIAD™ 10

## Circular Plastic Connectors



### SPECIAL FEATURES

- Reductions in installed cost and weight, for applications, where the traditional metal shell is not required
  - A modified ACME thread provides an anti-vibration lock
  - Assisted coupling and uncoupling
- Caution: These connectors are not intended for connecting or disconnecting under load conditions



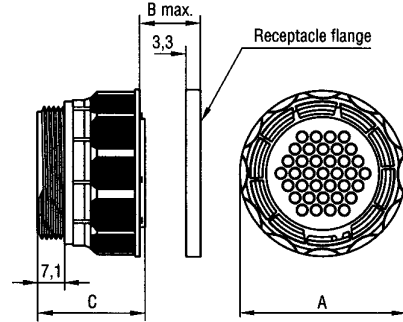
- ACME thread provides an anti-vibration lock
- Suit either pin or socket contacts
- Assemblies are moulded from glass filled thermoplastic with a flammability rating per UL class 94V-1
- Contacts are available with gold or tin plate finishes

Technical Data					
Type	TRIAD 10				
Shell size	11	17	17	23	23
No. of contacts	4	9	14	24	37
Max. wire range mm <sup>2</sup>	0.5-2.5				
Contact plating	Sn or Au over Ni				
Dielectric of insert	Glass filled Thermoplastic				
Shell protection standard/material	IP65/GfV Thermoplastic				
Inflammability	Self-extinguishing class UL94V-1				
Operation temperature range	-55°C to +105°C				
Rated single contact at +20°C	13 A				
Test voltage	1500 V-				
Contact resistance	≤5 mΩ				
Insulation resistance	≥5000 MΩ				
Mating cycles	Au: 500 Sn: 100				
Insertion/extraction force	A minimum of 10 lbs per contact and a minimum 15 lbs average per contact				
Test corrosion	Salt spray per MI-STD 202 Method 101. Test condition B				
Test insulation resistance	MIL-STD 1344. Method 3003 Resistance measured between adjacent contacts				

Operating Voltage: 230V according to UL

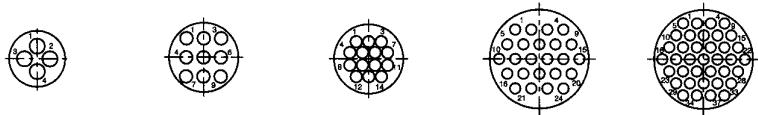
# TRIAD™ 10

## Plugs



Plug front Shell Assemblies, Pin/Socket

### Arrangement of Contacts



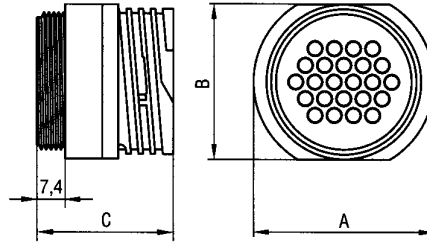
No. of Contacts	4	9	14	24	37
	<b>Model number</b>				
Plug Front Shell Assemblies, Pin	T1110-P04	T1710-P09	T1710-P14	T2310-P24	T2310-P37
Plug Front Assemblies, Socket	T1110-S04	T1710-S09	T1710-S14	T2310-S24	T2310-S37

No. of Contacts	4	9	14	24	37
	<b>Tyco order number</b>				
Plug Front Shell Assemblies, Pin	1437723-1	2-1437723-3	2-1437723-5	5-1437723-9	6-1437723-1
Plug Front Assemblies, Socket	0-1437723-3	2-1437723-7	2-1437723-9	6-1437723-3	6-1437723-5

No. of Circuits		Dimensions in mm			Max. Allowable Wire Insulation
		A	B	C	Diameter in mm
4	Pin	25.4	6.4	34.0	2.8
	Socket				
9	Pin	34.5	6.4	34.0	3.6
	Socket				
14	Pin	34.5	6.4	34.0	2.8
	Socket				
24	Pin	44.5	8.1	34.0	3.6
	Socket				
37	Pin	44.5	8.1	34.0	2.8
	Socket				

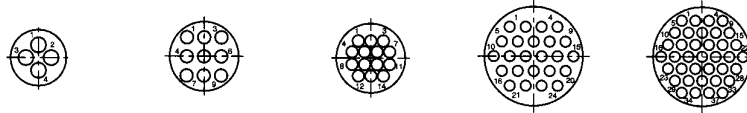
# TRIAD™ 10

## Cable Receptacles



Panel Mount Receptacles, Pin/Socket

### Arrangement of Contacts



No. of Contacts	4	9	14	24	37
	<b>Model number</b>				
Cable Mount Receptacles, Pin	T1120-P04	T1720-P09	T1720-P14	T2320-P24	T2320-P37
Cable Mount Receptacles, Socket	T1120-S04	T1720-S09	T1720-S14	T2320-S24	T2320-S37

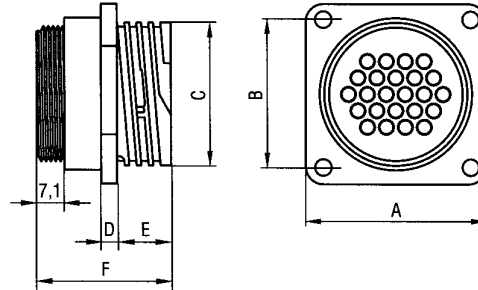
No. of Contacts	4	9	14	24	37
	<b>Tyco order number</b>				
Cable Mount Receptacles, Pin	1437723-5	3-1437723-1	3-1437723-2	6-1437723-7	1437820-5
Cable Mount Receptacles, Socket	1437723-6	3-1437723-3	3-1437723-4	6-1437723-8	6-1437723-9

No. of Circuits		Dimensions in mm			Max. Allowable Wire Insulation
		A	B	C	Diameter in mm
4	Pin	23.6	20.6	33.8	2.8
	Socket				
9	Pin	33.3	29.5	33.8	3.6
	Socket				
14	Pin	33.3	29.5	33.8	2.8
	Socket				
24	Pin	43.9	37.8	33.8	3.6
	Socket				
37	Pin	43.9	37.8	33.8	2.8
	Socket				

31

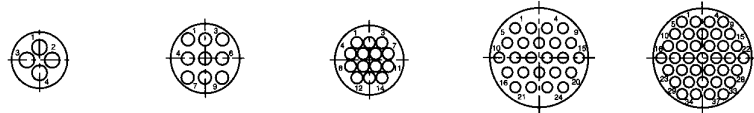
# TRIAD™ 10

## Receptacles



Panel Mount receptacles, Pin/Socket

### Arrangement of Contacts



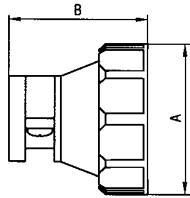
No. of Contacts	4	9	14	24	37
	Model number				
Panel Mount Receptacle, Pin	T1130-P04	T1730-P09	T1730-P14	T2330-P24	T2330-P37
Panel Mount Receptacle, Socket	T1130-S04	T1730-S09	T1730-S14	T2330-S24	T2330-S37

No. of Contacts	4	9	14	24	37
	Tyco order number				
Panel Mount Receptacle, Pin	0-1437723-7	1437820-7	3-1437723-6	7-1437723	7-1437723-2
Panel Mount Receptacle, Socket	1437723-9	3-1437723-8	4-1437723	7-1437723-4	7-1437723-6

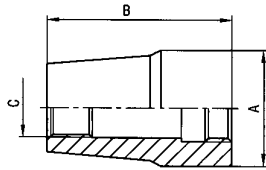
No. of Circuits	Panel Cut-out	Ø mm	Dimensions in mm					Max. Allowable Wire Insulation	
			A	B	C	D	E	F	Diameter in Ø m
4	Pin	20.7	28.7	21.3	17.5	2.3	11.4	35.8	2.8
	Socket							29.5	
9	Pin	32.13	36.6	28.7	26.7	2.3	11.4	35.8	3.6
	Socket							29.5	
14	Pin	32.13	36.6	28.7	26.7	2.3	11.4	35.8	2.8
	Socket							29.5	
24	Pin	38.6	44.5	36.6	36.3	2.3	13.5	35.8	3.6
	Socket							29.5	
37	Pin	38.6	44.5	36.6	36.3	2.3	13.5	35.8	2.8
	Socket							29.5	

# ▶ TRIAD™ 10

## Accessories



Plastic-Black Shell Cable Clamp



Plastic-Black Shell with PG thread

Model number	Tyco order number	Dimensions in mm		
		A	B	Cable Dia. Range
M118SR-33	3-1437726-3	25.9	32.8	2.8-08.4
M118SR-45	3-1437726-4	25.9	36.6	2.8-11.4
M178SR-70	7-1437726-5	36.8	42.2	8.6-17.8
M238SR-112	3-1437727-5	43.2	42.2	14.5-28.4

Model number	Tyco order number	Dimensions in mm		
		A	B	Cable Dia. Range
T118GA-PG9	1-1437723-4	21.5	43.0	PG9
T178GA-PG11	4-1437723-4	30.0	43.0	PG11
T178GA-PG13	4-1437723-7	30.0	43.0	PG13.5
T238GA-PG16	7-1437723-9	40.0	43.0	PG16
T238GA-PG21	8-1437723-2	40.0	43.0	PG21

• Remark: Suitable combinations of accessories and circular connectors  
See summary table Triad 10 accessories

# TRIAD™ 20

## Circular Metal Shell Connectors



### Special Features

- Unique keying feature between metal shell and the thermoplastic insert expands the number of available contact configurations
  - Eliminate the possibility of crossmating the connectors
  - A modified ACME thread provides an anti-vibration lock
- Caution: These connectors are not intended for connecting or disconnecting under load conditions



- ACME thread provides an anti-vibration lock
- Suit either pin or socket contacts
- Unique keying feature between metal shell and the thermoplastic insert expands the number of available contact configurations
- Contacts are available with gold or tin plate finishes

### Technical Data

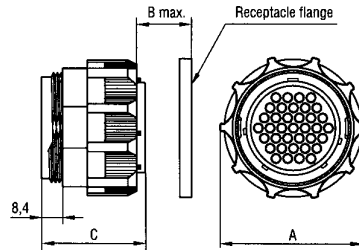
Type	TRIAD 20				
Shell size	11	17	17	23	23
No. of contacts	4	9	14	24	37
Max. wire range mm <sup>2</sup>	0.5-2.5				
Contact plating	Sn or Au over Ni				
Dielectric of insert	Glass filled Thermoplastic				
Shell protection standard/material	IP65 die cast zinc				
Inflammability	Self-extinguishing class UL94V-1				
Operation temperature range	-55°C to +105°C				
Rated single contact at +20°C	13 A				
Test voltage	1500 V-				
Contact resistance	≤5 mΩ				
Insulation resistance	≥5000 MΩ				
Mating cycles	Au: 500 Sn: 100				
Insertion/extraction force contact and a minimum 15 lbs average per contact	A minimum of 10 lbs per				
Test corrosion Method 101. Test condition B	Salt spray per MI-STD 202				
Test insulation resistance Resistance measured between adjacent contacts	MIL-STD 1344. Method 3003				

Operating Voltage: 230V according to UL



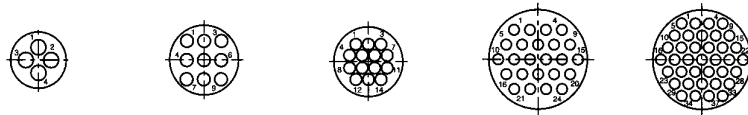
# ► TRIAD™ 20

## Plugs



Plug Front Shell Assemblies, Pin/Socket

### Arrangement of Contacts



No. of Contacts	4	9	14	24	37
	Model number				
Plug Front Shell Assemblies, Pin	M1110-P04	M1710-P09	M1710-P14	M2310-P24	M2310-P37
Plug Front Shell Assemblies, Socket	M1110-S04	M1710-S09	M1710-S14	M2310-S24	M2310-S37

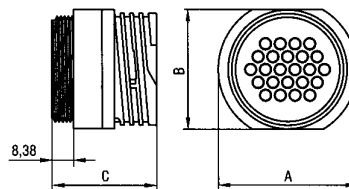
No. of Contacts	4	9	14	24	37
	Tyco order number				
Plug Front Shell Assemblies, Pin	1437726-1	3-1437726-8	4-1437726-1	8-1437726-0	8-1437726-2
Plug Front Shell Assemblies, Socket	1437726-5	4-1437726-3	4-1437726-5	8-1437726-4	8-1437726-6

No. of Circuits		Dimensions in mm			Max. Allowable Wire Insulation
		A	B	C	Diameter in mm
4	Pin	25.7	6.4	35.8	2.8
	Socket				
9	Pin	38.1	6.4	35.8	3.6
	Socket				
14	Pin	38.1	6.4	35.8	2.8
	Socket				
24	Pin	48.0	8.1	35.8	3.6
	Socket				
37	Pin	48.0	8.1	35.8	2.8
	Socket				

Note: Plug needs either an insert retainer or a corresponding backshell for assembly  
See accessories pages

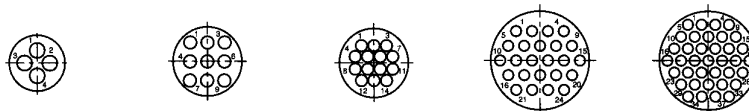
# TRIAD™ 20

## Cable Receptacles



Cable Mount Receptacles, Pin/Socket

### Arrangement of Contacts



No. of Contacts	4	9	14	24	37
	Model number				
Cable Mount Receptacles, Pin	M1121-P04	M1721-P09	M1721-P14	M2321-P24	M2321-P37
Cable Mount Receptacles, Socket	M1121-S04	M1721-S09	M1721-S14	M2321-S24	M2321-S37

No. of Contacts	4	9	14	24	37
	Tyco order number				
Cable Mount Receptacles, Pin	1437726-9	tba	4-1437726-7	tba	8-1437726-8
Cable Mount Receptacles, Socket	1-1437726	2-1437727-6	2-1437727-5	8-1437726-9	3-1437727-6

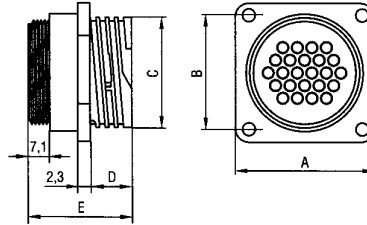
No. of Circuits		Dimensions in mm			Max. Allowable Wire Insulation
		A	B	C	Diameter in mm
4	Pin	23.6	20.8	35.8	2.8
	Socket				
9	Pin	34.0	30.5	35.8	3.6
	Socket				
14	Pin	34.0	30.5	35.8	2.8
	Socket				
24	Pin	43.9	38.6	35.8	3.6
	Socket				
37	Pin	43.9	38.6	35.8	2.8
	Socket				

· Note: Plug needs either an insert retainer or a corresponding backshell for assembly  
See accessories pages

36

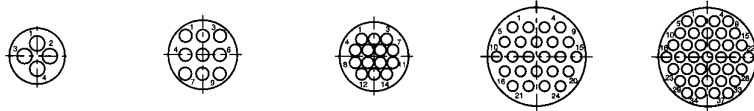
# TRIAD™ 20

## Receptacles



Panel Mount Receptacles, Pin/Socket

### Arrangement of Contacts



No. of Contacts	4	9	14	24	37
	Model number				
Panel Mount Receptacles, Pin	M1131-P04	M1731-P09	M1731-P14	M2331-P24	M2331-P37
Panel Mount Receptacles, Socket	M1131-S04	M1731-S09	M1731-S14	M2331-S24	M2331-S37

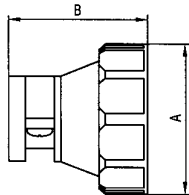
No. of Contacts	4	9	14	24	37
	Tyco order number				
Panel Mount Receptacles, Pin	1-1437726-2	4-1437726-8	5-1437726	9-1437726	9-1437726-2
Panel Mount Receptacles, Socket	1-1437726-5	5-1437726-2	5-1437726-5	9-1437726-4	9-1437726-6

No. of Circuits	Panel Cut-out	Dimensions in mm						Max. Allowable Wire Insulation	
		Ø mm	A	B	C	D	E	F	Diameter in Ø m
4	Pin	20.7	28.7	21.3	17.5	2.3	11.4	35.8	2.8
	Socket							29.5	
9	Pin	32.13	36.6	28.76	26.7	2.3	11.4	35.8	3.6
	Socket							29.5	
14	Pin	32.13	36.6	28.7	26.7	2.3	11.4	35.8	2.8
	Socket							29.5	
24	Pin	38.6	44.5	36.6	36.3	2.3	13.5	35.8	3.6
	Socket							29.5	
37	Pin	38.6	44.5	36.6	36.3	2.3	13.5	35.8	2.8
	Socket							29.5	

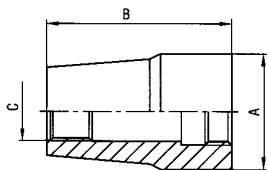
37

# TRIAD™ 20

## Accessories



Metal-Backshell Cable Clamp



Metal-Backshell with PG thread

Model number	Tyco order number	Dimensions in mm		
		A	B	Cable Dia. Range
M118SR-33	3-1437726-3	25.9	32.8	2.8-08.4
M118SR-45	3-1437726-4	25.9	36.6	2.8-11.4
M178SR-70	7-1437726-5	36.8	42.2	8.6-17.8
M238SR-112	3-1437727-5	43.2	42.2	14.5-28.4

Model number	Tyco order number	Dimensions in mm		
		A	B	Thread C
M118GA-PG9	2-1437726-6	24	18	PG9
M118GA-PG11	tba	24	20	PG11
M178GA-PG11	6-1437726-4	36	24	PG11
M178GA-PG13	6-1437726-7	36	24	PG13.5
M238GA-PG16	1437727-6	45	45	PG16
M238GA-PG21	1437727-9	45	45	PG21
M238GA-PG29	1-1437727-2	45	40	PG29

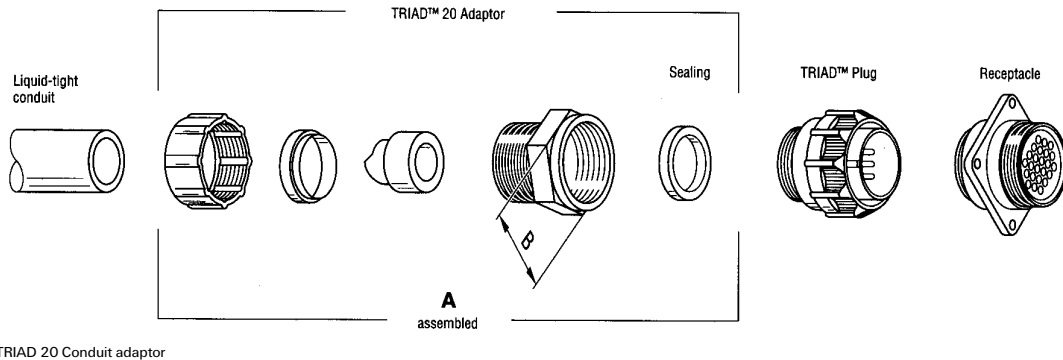
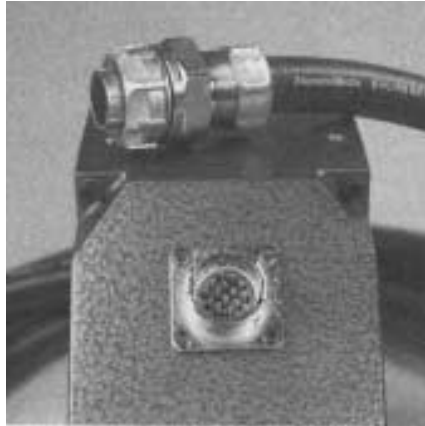
**Remark:** Suitable combinations of accessories and circular connectors see summary table

# ► TRIAD™ 20

## Conduit Adaptors

are designed with the TRIAD™ 20 range of connectors, and flexible metal conduits and fittings.

The combination of adaptors, connectors, conduits and fittings offers the user an extensive liquid tight connector-conduit disconnect system rated to IP67.

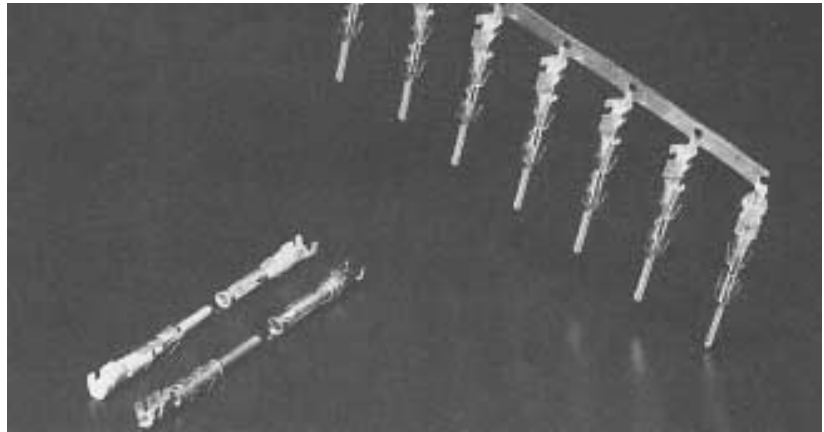


Model number	Tyco order number	Conduit size	for Shell size	UNEF Thread	Dimensions in mm	
					A	B
M118F-0375	2-1437726	3/8"	11	3/4 - 20	38.0	24.0
M118F-0500	2-1437726-2	1/2"	11	3/4 - 20	40.0	24.0
M178F-0375	5-1437726-8	3/8"	17	1 3/16 - 18	38.0	36.0
M178F-0500	6-1437726	1/2"	17	1 3/16 - 18	40.0	36.0
M178F-0750	6-1437726-2	3/4"	17	1 3/16 - 18	45.0	36.0
M238F-0500	9-1437726-9	1/2"	23	1 7/16 - 18	40.0	41.0
M238F-0750	1437727-2	3/4"	23	1 7/16 - 18	45.0	41.0
M238F-1000	1437727-4	1"	23	1 7/16 - 18	49.0	41.0

Remark: Suitable combinations of accessories and circular connectors see summary table

# TRIAD™ 10/20

## Contacts



### Special Features

- Precision stamped and formed from copper alloy
- Stainless steel retainer clip provides positive and accurate location
- Construction of contacts allows easy disconnecting from shell



### TRIAD 10/20

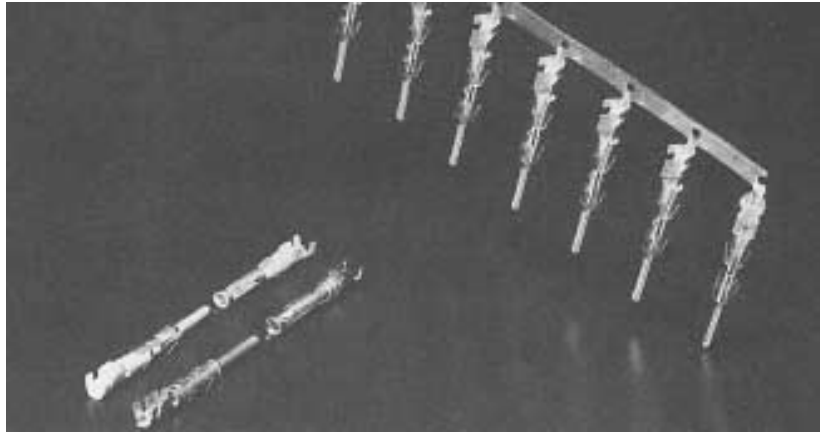
- 4 point electrical contact between pin and socket
- Closed entry sockets to resist damage from probes
- Snap-in contacts with three point retention to ensure maximum security when installed in housing

Contact	TRIAD 10/20 Standard
Working voltage	250 V
Current rating	13 A in free air
Contact resistance	<5 mΩ
Mating cycles	Au: 500 Sn: 100
Contact body	Copper alloy
Retainer clip	Stainless steel
Insertion/extraction force	4.5 N

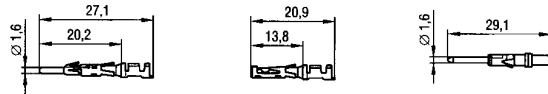


# ► TRIAD™ 10/20

## Single Contacts



TRIAD 10/20



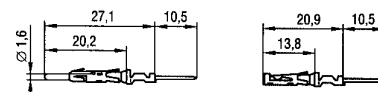
Plating	Wire gage (mm <sup>2</sup> )	Insulation dia. (mm)	AWG-Range	Pin/Crimping	Socket/Crimping	Grounding pin
Tin	0.25-0.5	1.2-1.8	-	T9320P-T2	T9320S-T2	T9320G-T2
Tin	0.25-0.5	2.0-2.5	22-20	T9321P-T2	T9321S-T2	-
Tin	0.75-1.5	2.0-2.5	18-16	T9316P-T2	T9316S-T2	T9316G-T2
Tin	1.5-2.5	2.0-4.0	16-14	T9314P-T2	T9314S-T2	T9314G-T2
Tin	0.25-0.5	1.2-1.8	-	T9320P-G2	T9320S-G2	T9320G-G2
Gold	0.25-0.5	2.0-2.5	22-20	T9321P-G2	T9321S-G2	-
Gold	0.75-1.5	2.0-2.5	18-16	T9316P-G2	T9316S-G2	T9316G-G2
Gold	1.5-2.5	2.0-4.0	16-14	T9314P-G2	T9314S-G2	T9314G-G2

41

Pin/Crimping Tyco order number	Socket/Crimping Tyco Order number	Grounding Pin Tyco Order number
4-1437718-3	4-1437718-8	on req
4-1437718-3	5-1437718-7	n/a
3-1437718	3-1437718-7	2-1437718-5
on req	2-1437718-3	7-1437718-7
4-1437718	4-1437718-5	on req
5-1437718	5-1437718-5	n/a
2-1437718-6	3-1437718-3	on req
1-1437718-7	2-1437718-1	onreq

Shell Size	No. of Circuits	Maximum Wire Insulation Diameter (mm)
11	4	3.20
17	9	4.00
17	14	3.20
23	24	4.00
23	37	3.20

TRIAD 10/20



Plating	Pin/Soldering	Socket/soldering
Tin	T9301P-T2	T9301S-T2
Gold	T9301P-G2	T9301S-G2

Plating	Pin/Soldering Tyco order number	Socket/soldering Tyco order number
Tin	1-1437718	1-1437718-2
Gold	1-1437718-9	1-1437718-1

# ▶ TRIAD™ 10/20

## Tools/Accessories



Model number	Tyco order number
WT10-04	8-1437736-5

### Crimp Tool

For crimping contacts from TRIAD 10/20 series



Model number	Tyco order number
TRT 16A	8-1437736-3

### Contact Removal Tool

A plunger tool for removing contacts from TRIAD 10/20 series plug and receptacle inserts. Ideal for field service use or small batch production



Model number	Tyco order number
T9 KP 16	6-1437718

### Keying Pin

Suitable for use with both TRIAD 10/20 Plugs and Receptacles. These moulded dummy pins can be installed in one or more unused contact positions.  
Material: Thermoplastic, 105°C with flammability rating per UL94-V2



Model number	Tyco order number
TRT 17	tba

### Contact Removal Tool

For T9301 series contacts.

# ► TRIAD™ 10/20

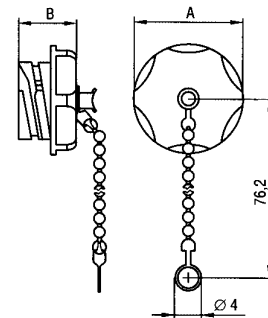
## Accessories



### Sealing Cap-Plug

Specifically designed for application in dusty or moisture prone environments and used to protect the plug contacts, when disconnected from the receptacle. Suitable for use with both TRIAD 10 and 20 Plug Front Shell Assemblies. Each Dust Cap is fitted with an environmental sealing ring.

Material: Thermoplastic rated at 105°C.  
Self-extinguishing classification per UL94V-1.

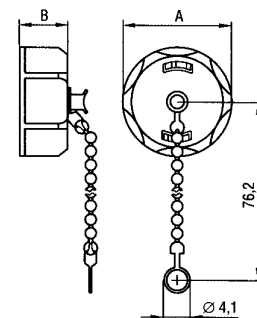


Model number	Tyco order number	Dimensions in mm	
		A	B
T118DCP	1-1437723-1	25.4	13.2
T178DCP	9-1437723-8	36.3	14.0
T238DCP	9-1437723-7	44.2	17.3

### Sealing Cap-Receptacle

Specifically designed for application in dusty or moisture prone environments and used to protect the receptacles contacts, when disconnected from the plug. Suitable for use with both TRIAD 10 and 20 Receptacles Front Shell Assemblies.

Material: Thermoplastic rated at 105°C.  
Self-extinguishing classification per UL94V-1.



Model number	Tyco order number	Dimensions in mm	
		A	B
T118DCR	1-1437723-2	25.4	10.2
T178DCR	9-1437723-1	34.5	11.4
T238DCR	9-1437723-6	44.5	13.2

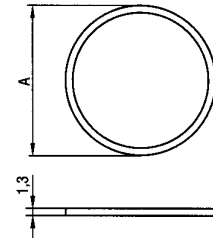
# TRIAD™ 20

## ACCESSORIES

### Sealing Rings

These sealing rings are available to accommodate the three shell size options. The sealing rings have been designed for easy installation into the cavity of TRIAD 10 Receptacles where required for additional environmental sealing. Material: White Neoprene

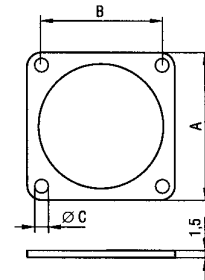
Model number	Tyco order number	Dimensions in mm	
		A	
T118SR	1-1437723-7	13.2	
T178SR	5-1437723-2	22.4	
T238SR	8-1437723-5	31.2	



### Sealing Gaskets

For environmental sealing applications the gaskets, which are available in the three shell sizes, are assembled between TRIAD 10/20 Panel Mount Receptacles and their mounting surface. Material: Black Neoprene

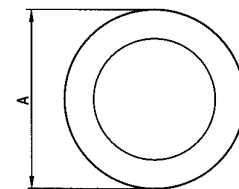
Model number	Tyco order number	Dimensions in mm		
		A	B	C
M118GSK	2-1437726-9	28.7	21.3	2.5
M178GSK	7-1437726	38.1	28.7	3.0
M238GSK	1-1437727-5	44.5	36.6	3.0



### TRIAD™ 20 Insert Retainer

For use when plugs or cable mount receptacles are installed without backshells. This glass filled plastic part locks inserts into TRIAD 20 plugs and receptacles only. They are supplied with all panel mount receptacles. Material: Aluminium

Model number	Tyco order number	Dimensions in mm	
		A	B
M118MRET	3-1437726	21.3	13.7
M178MRET	tba	32.5	13.2
M238MRET	tba	38.9	13.7



\* Screws and washers supplied to suit



# TRIAD™ 20

## Selection Tabular for TRIAD 20 Accessories

	Back Shell Cable Clamp						Sealing Cap - Plug			Sealing Cap Receptacles			Sealing rings			Sealing Gaskets		
	M118SR-33	M118SR-45	M178SR-45	M178SR-70	M238SR-70	M238SR-112	T118DCP	T178DCP	T238DCP	T118DCR	T178DCR	T238DCR	M118SR	M178SR	M238SR	M118GSK	M178GSK	M238GSK
<b>Plug Front Shell Assemblies Pin/Socket</b>																		
M1110-P04	x	x					x											
M1710-P09			x	x				x										
M1710-P14			x	x				x										
M2310-P24					x	x					x							
M2310-P37					x	x					x							
M1110-S04	x	x					x											
M1710-S09			x	x						x								
M1710-S14			x	x						x								
M2310-S24					x	x					x							
M2310-S37					x	x					x							
<b>Panel Mount: Socket/Pin</b>																		
M1131-P04	x	x							x				x			x		
M1731-P09			x	x						x			x			x		
M1731-P14			x	x						x			x			x		
M2331-P24					x	x					x			x				x
M2231-P37					x	x					x			x				x
M1131-S04	x	x							x				x			x		
M1731-S09			x	x						x			x			x		
M1731-S14			x	x						x			x			x		
M2331-S24					x	x					x			x				x
M2331-S37					x	x					x			x				x
<b>Cable Mount Receptacles</b>																		
M1121-P04	x	x							x				x			x		
M1721-P04			x	x						x			x			x		
M1721-P14			x	x						x			x			x		
M2321-P24					x	x					x			x				x
M2321-P37					x	x					x			x				x
M1121-S04	x	x							x				x			x		
M1721-S09			x	x						x			x			x		
M1721-S14			x	x						x			x			x		
M2321-S24					x	x					x			x				x
M2321-S37					x	x					x			x				x

• For Tyco Part Numbers, see Product Pages



# TRIAD™ 20

## Selection Tabular for TRIAD 20 Accessories

	Insert Retainer			Conduit Adaptors							Back Shell Extender	Back Shell PG Thread							
	M118RET	M178RET	M238RET	M118F-0375	M118F-0500	M178F-0375	M178F-0500	M178F-0750	M238F-0500	M238F-0750	M238F-1000	M238EXT	M118GA-PG9	M118GA-PG11	M178GA-PG11	M178GA-PG13	M238GA-PG16	M238GA-PG21	M238GA-PG29
<b>Plug Front Shell Assemblies Pin/Socket</b>																			
M1110-P04	x			x	x								x	x					
M1710-P09		x				x	x	x							x	x			
M1710-P14		x				x	x	x							x	x			
M2310-P24			x						x	x	x	x					x	x	x
M2310-P37			x						x	x	x	x					x	x	x
M1110-S04	x		x	x									x	x					
M1710-S09		x				x	x	x							x	x			
M1710-S14		x				x	x	x							x	x			
M2310-S24			x						x	x	x	x					x	x	x
M2310-S37			x						x	x	x	x					x	x	x
<b>Panel Mount: Socket/Pin</b>																			
M1131-P04	x												x	x					
M1731-P09		x													x	x			
M1731-P14		x													x	x			
M2331-P24			x									x					x	x	x
M2331-P37			x									x					x	x	x
M1131-S04	x												x	x					
M1731-S09		x													x	x			
M1731-S14		x													x	x			
M2331-S24			x									x					x	x	x
M2331-S37			x									x					x	x	x
<b>Cable Mount Receptacles</b>																			
M1121-P04	x												x	x					
M1721-P04		x													x	x			
M1721-P14		x													x	x			
M2321-P24			x									x					x	x	x
M2321-P37			x									x					x	x	x
M1121-S04	x												x	x					
M1721-S09		x													x	x			
M1721-S14		x													x	x			
M2321-S24			x									x					x	x	x
M2321-S37			x									x	x				x	x	x

• For Tyco Part Numbers, see Product Pages