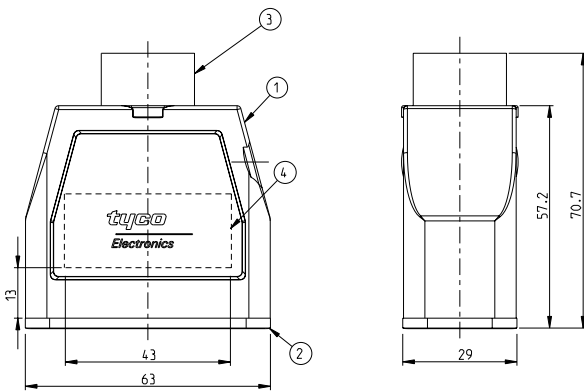


THIS DRAWING IS UNPUBLISHED. RELEASED FOR PUBLICATION 2000  
 © COPYRIGHT 2000 BY TYCO ELECTRONICS CORPORATION. ALL RIGHTS RESERVED.

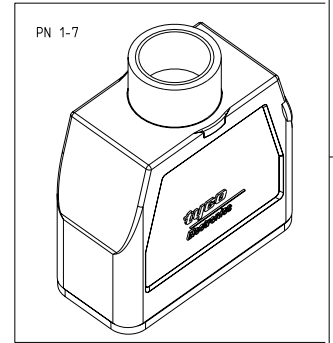
LOC	DIST	REVISIONS			
P	LTR	DESCRIPTION	DATE	DWN	APVD
B2		RELEASED AS PER ECR-09-005170	05.MAR.2009	GG	TS

PN 1-7



NOTES

- 1 PACKAGING QUANTITY: 5 PIECES PER BOX
- 2 MATERIAL: HOUSING ALUMINIUM DIECASTING ALLOY  
SEALS: NEOPRENE
- 3 SURFACE: VARNISH-GREY
- 4 VARNISH ON THE INSIDE NOT NECESSARY



2	INSULATING TAPE	COROPLAST TYP 303	-	GREY	4	PVC-SOFT
1	ADAPTOR ROUND	BRASS	NICKEL PLATED	BLUE	3	PG16
1	PROFILE SEAL	NEOPRENE	-	BLACK	2	-
1	HA. HOOD	ALUMINIUM	-	GREY	1	-
1-7	DESCRIPTION	MATERIAL	SURFACE	COLOR	ITEM NO	REMARKS

<p>THIS DRAWING IS A CONTROLLED DOCUMENT FOR TYCO ELECTRONICS CORPORATION                  IT IS SUBJECT TO CHANGE AND THE CONTROLLING ENGINEERING ORGANIZATION                  SHOULD BE CONTACTED FOR THE LATEST REVISION.</p>		DWN S.KUMAR 272472006 CHK R.SRINIVAS 272472006 APVD T.SCHNURPFIL 272472006	Tyco Electronics, AMP.GmbH 53757 Sankt Augustin, Germany
DIMENSIONS: mm	TOLERANCES UNLESS OTHERWISE SPECIFIED: 0 PLC ± 1 PLC ± 2 PLC ± 3 PLC ± 4 PLC ± ANGLES ± -	NAME HOOD HA.10.STO.1.16.Z	PACKAGING
MATERIAL	FINISH	PRODUCT SPEC 108-74009	SIZE CAGE CODE DRAWING NO A3 00779 C= 1102119
CUSTOMER DRAWING		WEIGHT -	RESTRICTED TO
		SCALE 1:1	SHEET 1 OF 1 REV B2

AMP 1470-19 REV 31MAR2000

Pro/ENGINEER DRAWING