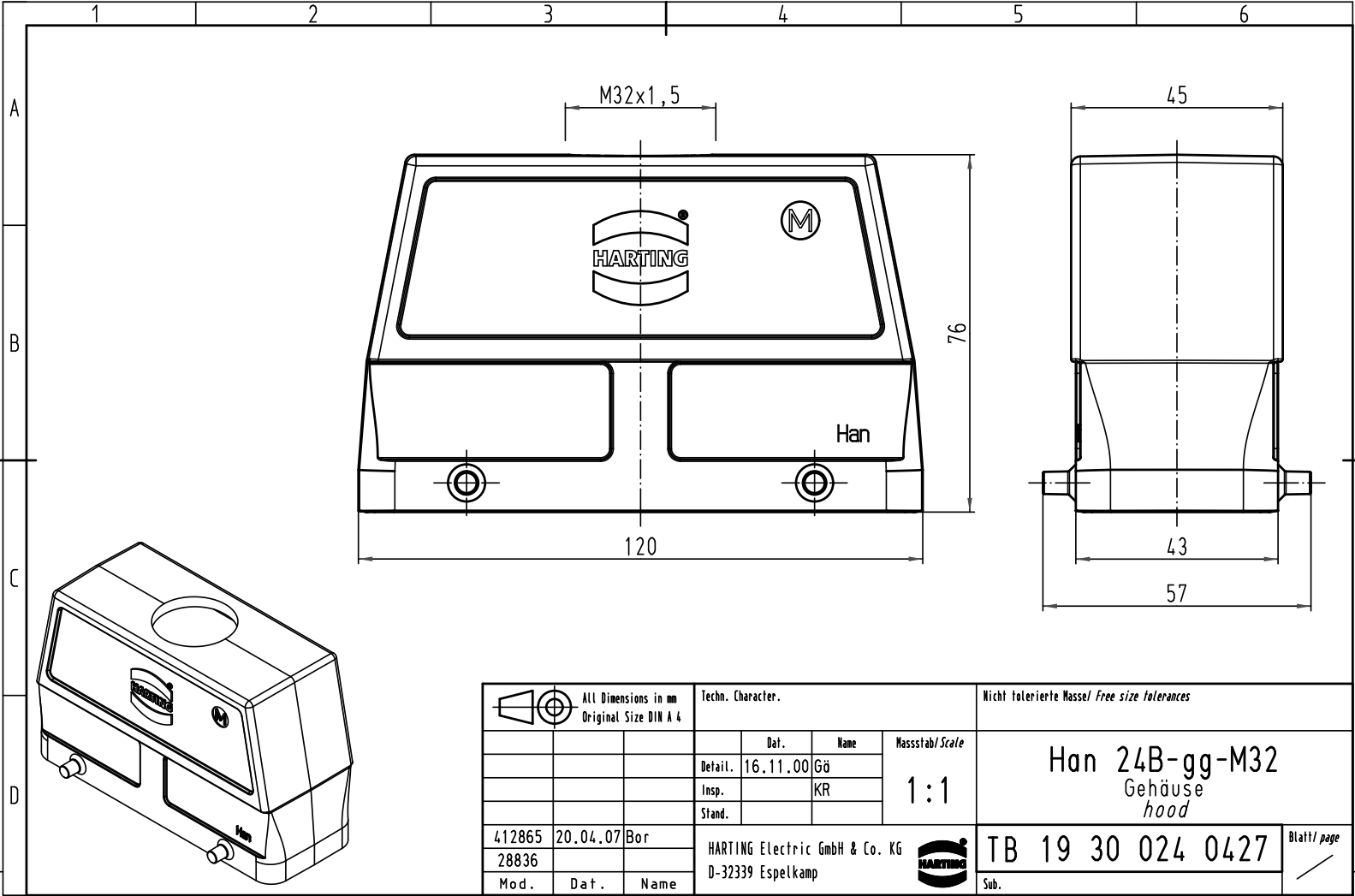


Alle Rechte vorbehalten/ All rights reserved



|   |          |                   |                                |             |  |  |
|---|----------|-------------------|--------------------------------|-------------|--|--|
| All Dimensions in mm<br>Original Size DIN A 4 |          | Techn. Character. |                                |             | Nicht tolerierte Masse/ Free size tolerances |  |
|   |          |                   | Dat.                           | Name        | Massestab/Scale                              | <b>Han 24B-gg-M32</b><br>Gehäuse<br>hood |
|   |          |                   | Detail.                        | 16.11.00 Gg |  |  |
|   |          |                   | Insp.                          | KR          |  |  |
|   |          |                   | Stand.                         |             | 1:1  |  |
| 412865  | 20.04.07 | Bor               | HARTING Electric GmbH & Co. KG |             |  | <b>TB 19 30 024 0427</b>                 |
| 28836   |          |                   | D-32339 Espelkamp              |             |  |  |
| Mod.  | Dat.     | Name              |                                |             |  | Blatt/ page                              |
|   |          |                   |                                |             |  |  |