

# Customer Information Sheet

DRAWING No.: M80-690XX98 SHEET 2 OF 2 IF IN DOUBT - ASK (C) NOT TO SCALE THIRD ANGLE PROJECTION ALL DIMENSIONS IN mm

## SPECIFICATION

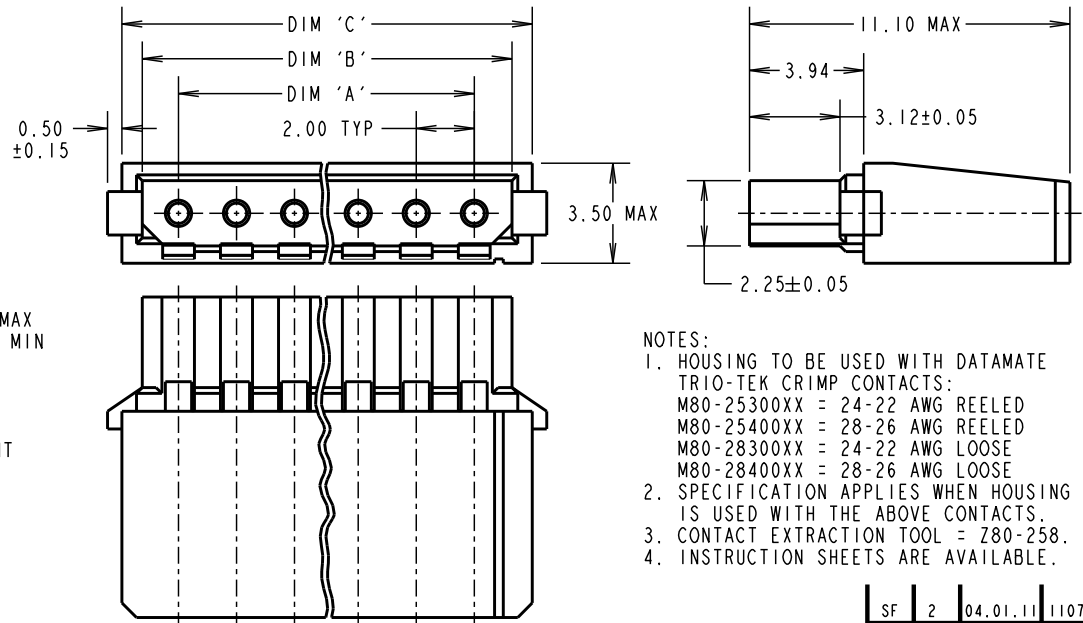
**MATERIAL**  
HOUSING = GLASS-FILLED POLYAMIDE 46,  
UL94V-0, BLACK

**ELECTRICAL**  
CURRENT RATING AT 25°C = 3.0A MAX  
CURRENT RATING AT 85°C = 2.2A MAX  
WORKING VOLTAGE = 120V AC/DC  
VOLTAGE PROOF = 360V AC/DC  
CONTACT RESISTANCE = 25 mΩ MAX  
INSULATION RESISTANCE = 100 MΩ MIN

**MECHANICAL**  
DURABILITY = 400 OPERATIONS  
INSERTION FORCE (∅0.5mm GAUGE) = 2.8N MAX  
WITHDRAWAL FORCE (∅0.5mm GAUGE) = 0.2N MIN

**ENVIRONMENTAL**  
TEMPERATURE RANGE = -55°C TO +125°C

**PACKING**  
BAG  
FOR COMPLETE SPECIFICATION, SEE COMPONENT  
SPECIFICATION C040XX (LATEST ISSUE)



### NOTES:

- HOUSING TO BE USED WITH DATAMATE TRIO-TEK CRIMP CONTACTS:  
M80-25300XX = 24-22 AWG REELED  
M80-25400XX = 28-26 AWG REELED  
M80-28300XX = 24-22 AWG LOOSE  
M80-28400XX = 28-26 AWG LOOSE
- SPECIFICATION APPLIES WHEN HOUSING IS USED WITH THE ABOVE CONTACTS.
- CONTACT EXTRACTION TOOL = Z80-258.
- INSTRUCTION SHEETS ARE AVAILABLE.

SF	2	04.01.11	11071
NAME	ISS.	DATE	C/NOTE
APPROVED: SF			
CHECKED: RA			
DRAWN: S.FLOWER			
CUSTOMER REF.:			
ASSEMBLY DRG:			

DIMENSION	CALCULATION
DIM 'A'	2 x TOTAL No. OF CONTACT POSITIONS - 2.0
DIM 'B'	2 x TOTAL No. OF CONTACT POSITIONS + 0.6
DIM 'C'	2 x TOTAL No. OF CONTACT POSITIONS + 2.0
EXAMPLE: CONNECTOR WITH 07 CONTACT POSITIONS, M80-6900798	
DIM 'A' = 12.0mm, DIM 'B' = 14.6mm, DIM 'C' = 16.0mm	

ORDER CODE:  
**M80-690XX98**

TOTAL No. OF CONTACT POSITIONS  
02, 03, 04, 05, 06, 07, 17

## HARWIN

THIS DRAWING AND ANY INFORMATION OR DESCRIPTIVE MATTER SET OUT HEREON ARE CONFIDENTIAL AND COPYRIGHT PROPERTY OF THE HARWIN GROUP AND MUST NOT BE DISCLOSED, LOANED, COPIED OR USED FOR MANUFACTURING, TENDERING OR FOR ANY OTHER PURPOSE WITHOUT THEIR WRITTEN PERMISSION.

**TOLERANCES**  
X. = ±1mm  
X.X = ±0.25mm  
X.XX = ±0.10mm  
X.XXX = ±0.01mm  
**ANGLES = ±5°**  
UNLESS STATED

**MATERIAL:**  
SEE ABOVE

**TITLE:** DATAMATE TRIO-TEK SIL L-TEK FEMALE CRIMP HOUSING 2-WAY TO 17-WAY

**DRAWING NUMBER:**  
**M80-690XX98**

SHT  
2 OF 2

HARWIN USA TEL: 603 893 5376 FAX: 603 893 5396 mis@harwin.com	HARWIN Europe (UK) TEL: 023 9231 4545 FAX: 023 9231 4590 mis@harwin.co.uk	HARWIN Asia TEL: +65 6 779 4909 FAX: +65 6 779 3868 mis@harwin.com.sg
--	--	--