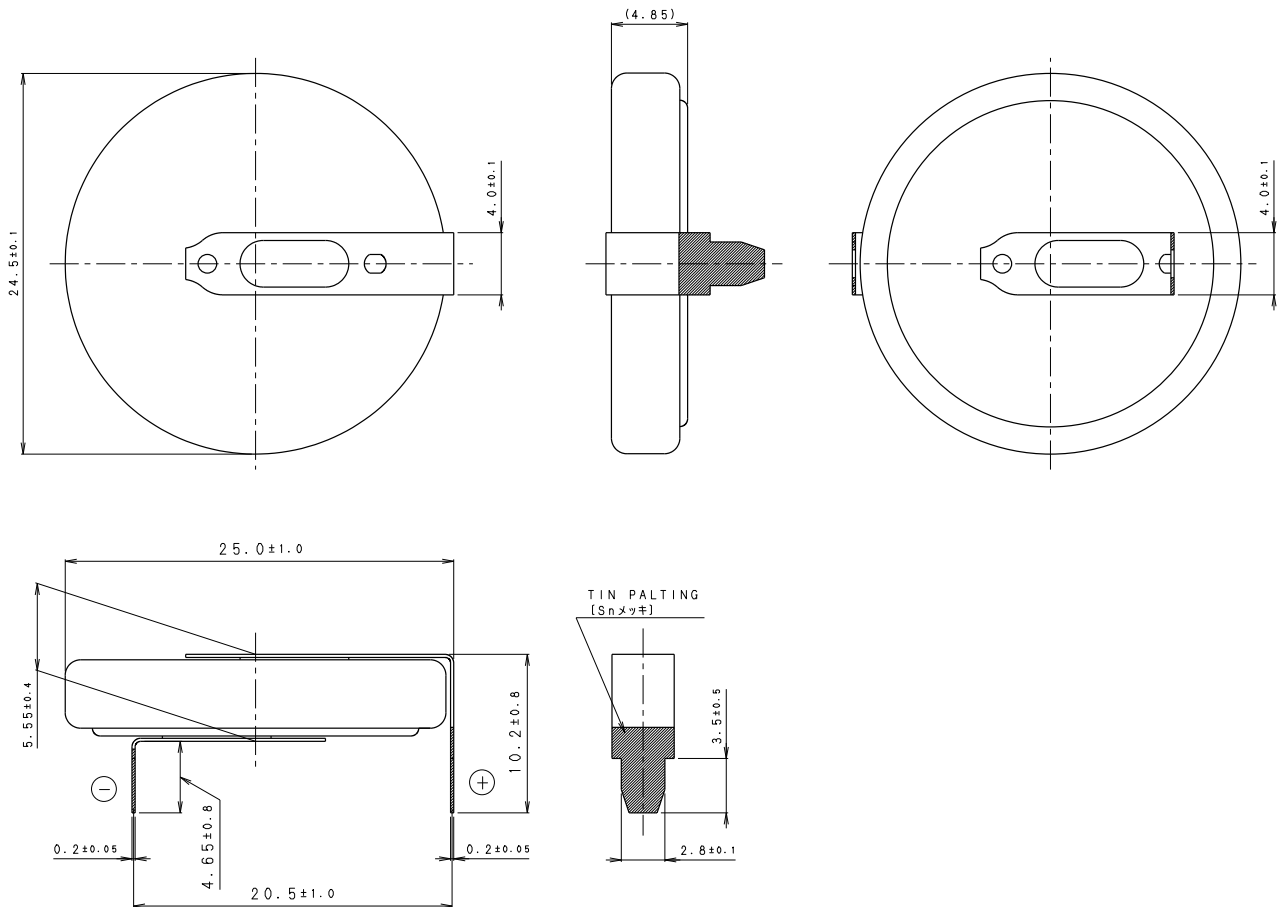


Panasonic Corporation Energy Company

A 3



NOTE (注記)

1. TAB PULLING STRENGTH OVER 19.6N (端子溶接強度: 19.6N以上)
2. TAB MATERIAL: STAINLESS STEEL WITH TIN PLATING  
【端子材料: 基材 ステンレス/表面 部分Snメッキ】
3. ( ): REFERENCE DIMENSION AND ANGLE ( ( ) 寸法、角度は参考値)

PRODUCT NO.	CR-2450/H9AN	SCALE	4:1
DRAWING NO.	RUHA1N	REV.	0
		UNIT: mm	

Panasonic Corporation Energy Company