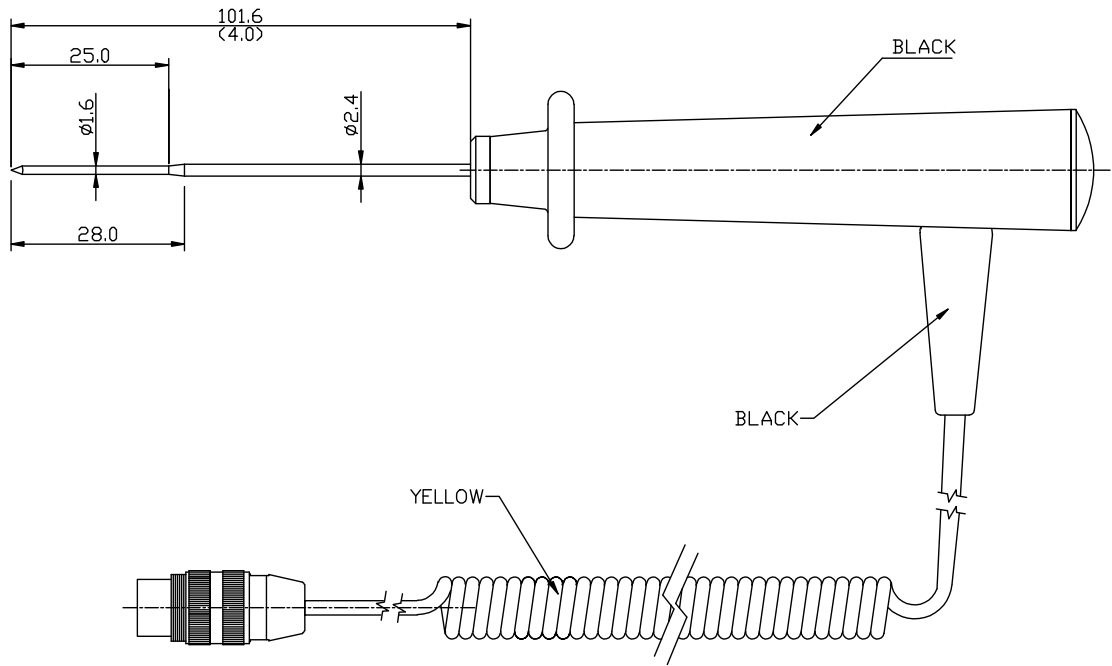


TYPE	SENSOR	CONNECTOR	RANGE	STEM LENGTH	DIAMETER	LEAD LENGTH	MATERIAL
FOOD(Penetration)	K-TYPE	LUMBERG	-50C TO 250C	101.6 m/m	1.6/2.4 m/m	1 meter	CH(+), AL(-)



mm
(inch)

Part Number: FK26L
Date: 2/15/08