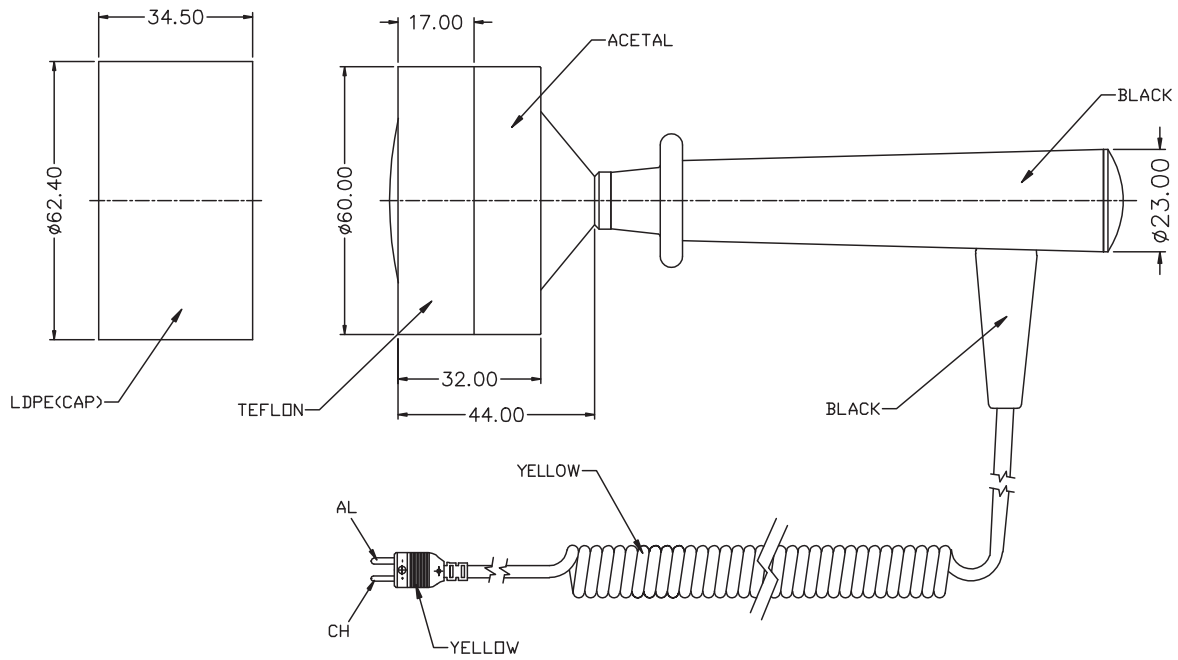


TYPE	SENSOR	CONNECTOR	RANGE	STEM LENGTH	DIAMETER	LEAD LENGTH	MATERIAL
GRILL SURFACE PROBE	K-TYPE	SUB-MINI	-50C TO 250C	----	60/23m/m	1 meter	CH(+), AL(-)



Copyright © 2007 Test Products International, Inc.

Part Number: CK18M
Date: 10/03/07