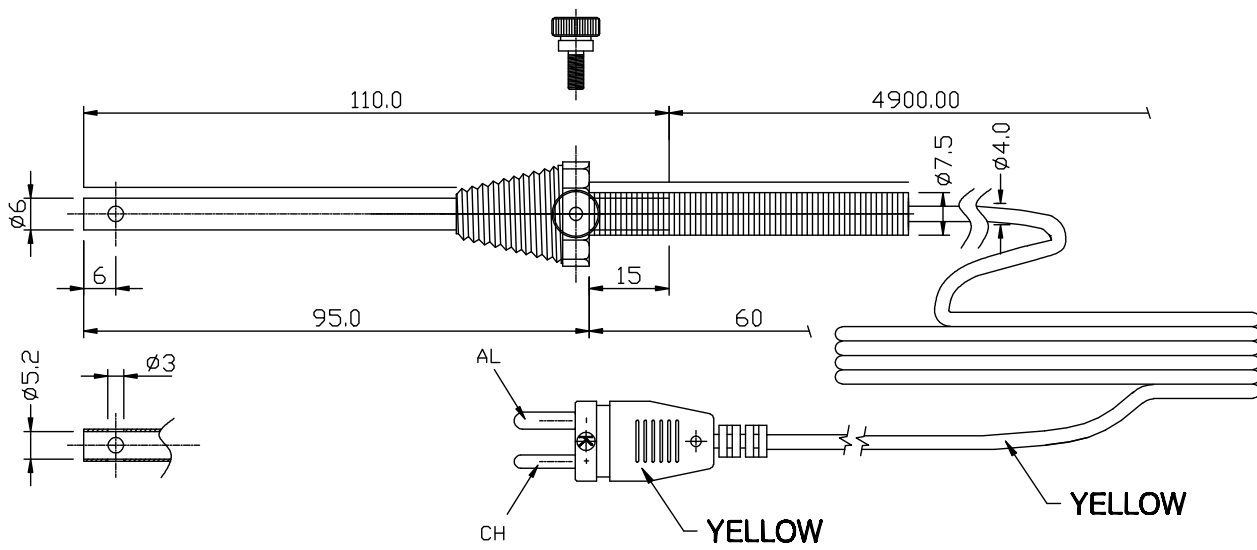


TYPE	SENSOR	CONNECTOR	RANGE	STEM LENGTH	DIAMETER	LEAD LENGTH	MATERIAL
Food(Chisel)	K-TYPE	SUB-MINI	-40°C TO 260°C	110.0 m/m	6.0 m/m	4.9 meter	CH(+), AL(-)



mm
(inch)

Copyright © 2007 Test Products International, Inc.

Part Number: GK20M
Date: 03/14/08