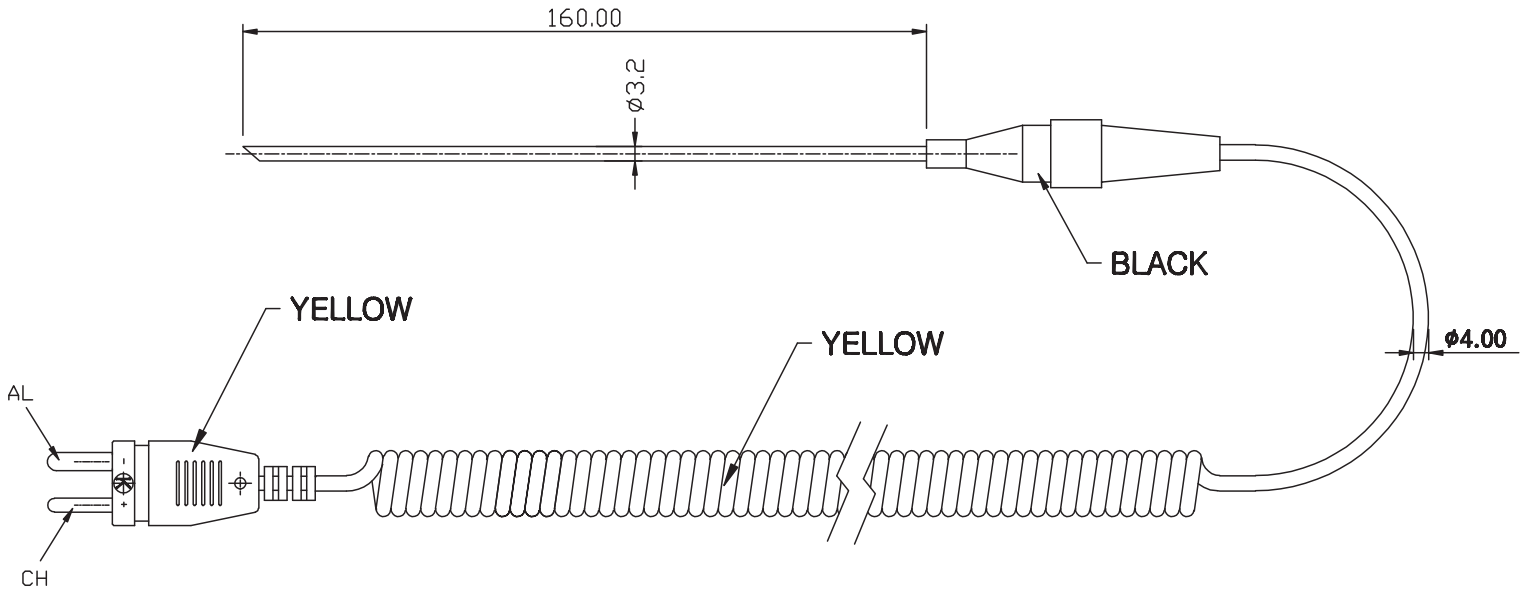


FK28M							10/03/07
TYPE	SENSOR	CONNECTOR	RANGE	STEM LENGTH	DIAMETER	LEAD LENGTH	MATERIAL
Food(chisel)	K-TYPE	SUB-MINI	-50C TO 250C	160.0 m/m	3.2m/m	1.0 meter	CH(+), AL(-)



mm
(inch)

Part Number: FK28M
Date: 10/03/07

Copyright © 2007 Test Products International, Inc.