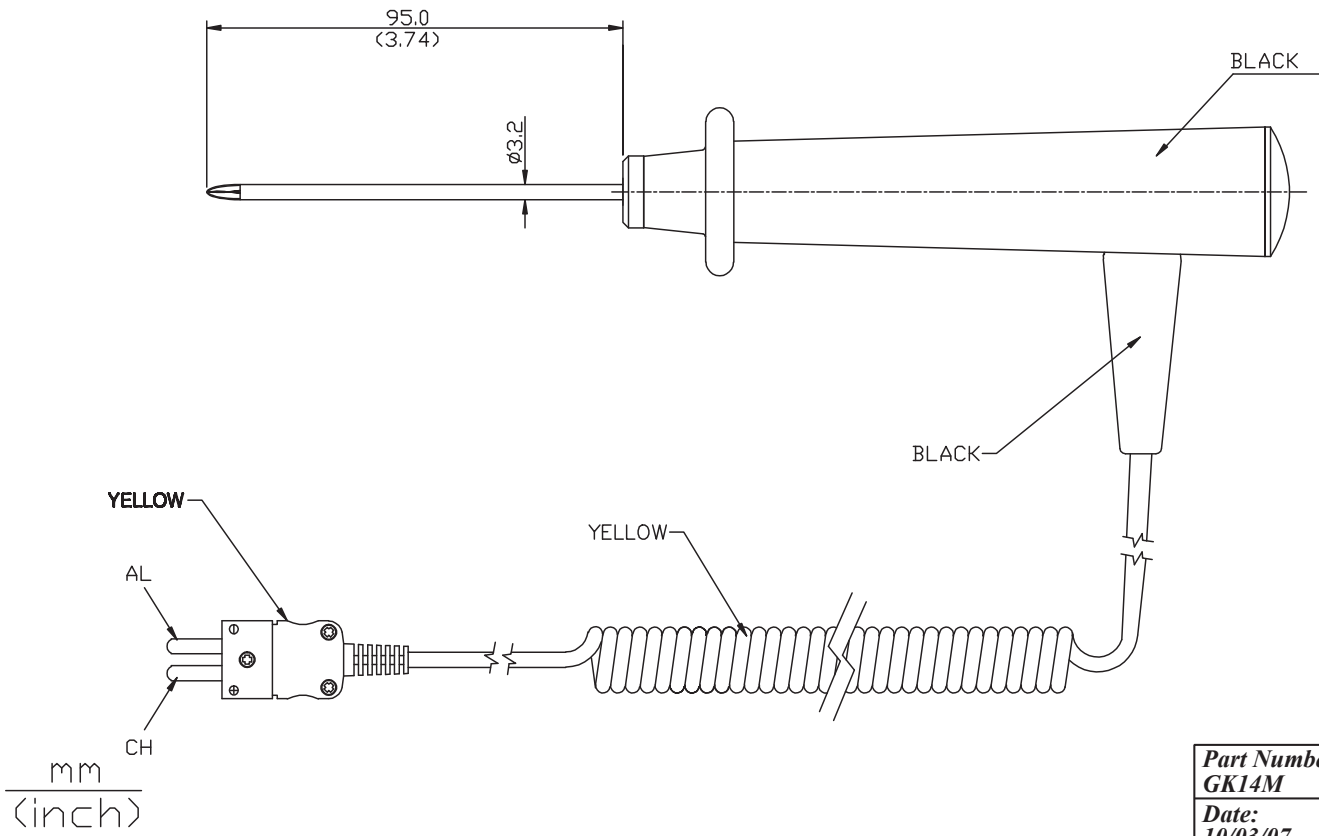


TYPE	SENSOR	CONNECTOR	RANGE	STEM LENGTH	DIAMETER	LEAD LENGTH	MATERIAL
CONTACT(SURFACE)	K-TYPE	SUB-MINI	-50C TO 250C	4inch	3.2m/m	1 meter	CH(+), AL(-)



Copyright © 2007 Test Products International, Inc.