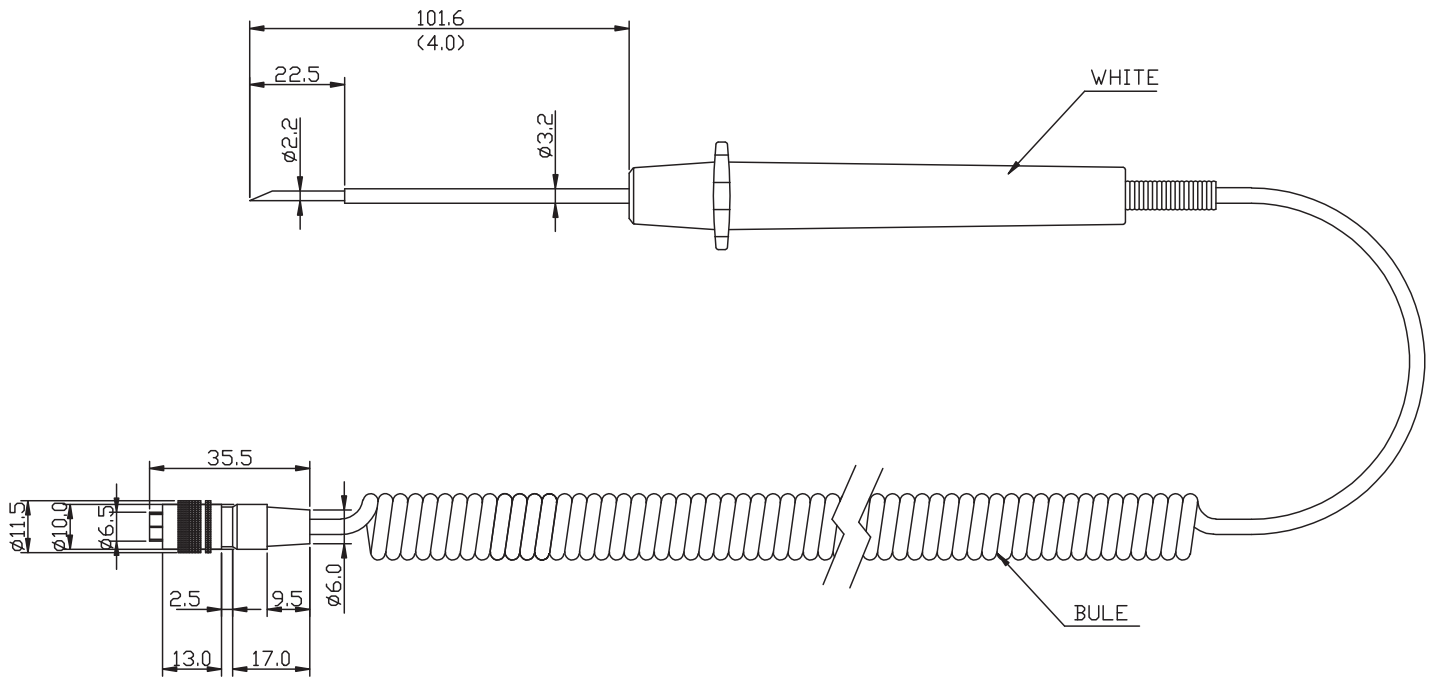


TYPE	SENSOR	CONNECTOR	RANGE	STEM LENGTH	DIAMETER	LEAD LENGTH	MATERIAL
Food(Chisel)	T-type	LEMO	-100C TO 250C	4inch	3.2/2.2mm/m	0.7 meter	COPPER(+), CO(-)



mm
(inch)

Part Number: FT11L
Date: 10/03/07

Copyright © 2007 Test Products International, Inc.