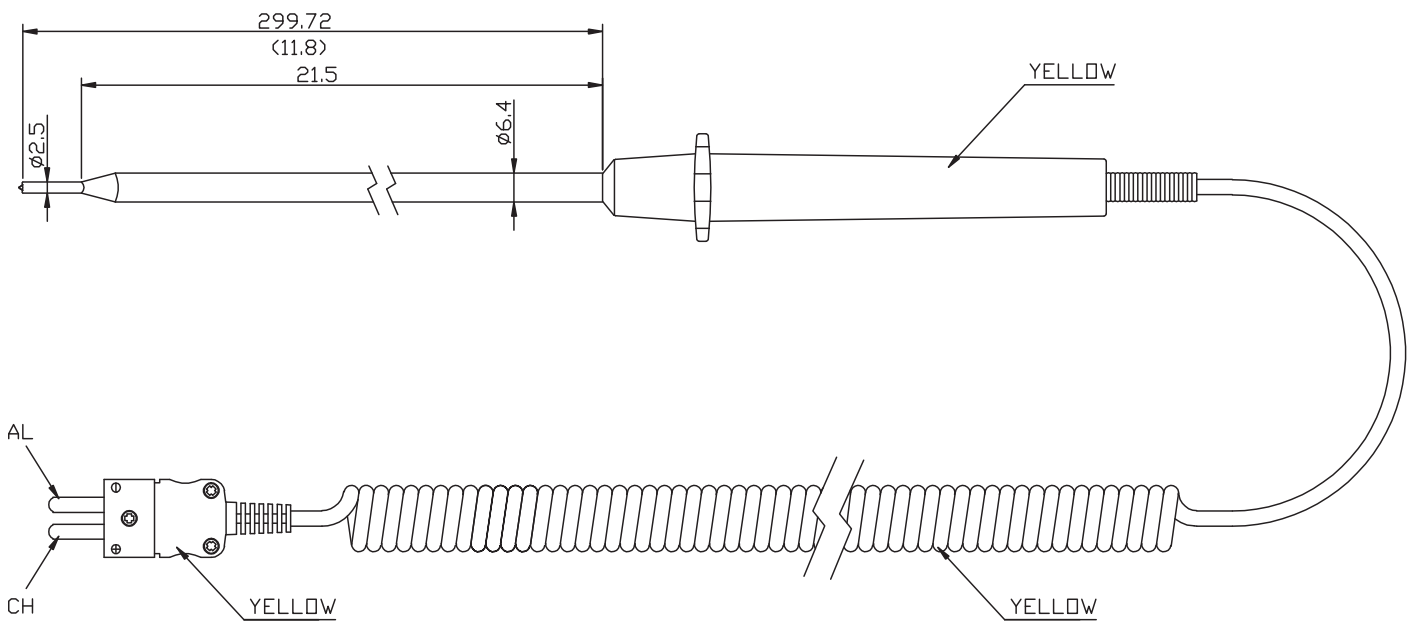


TYPE	SENSOR	CONNECTOR	RANGE	STEM LENGTH	DIAMETER	LEAD LENGTH	MATERIAL
Food(Chisel)	K-TYPE	SUB-MINI	-50C TO 250C	11.8inch	6.4/2.5m/m	1 meter	CH(+), AL(-)



mm
(inch)

Copyright © 2007 Test Products International, Inc.

Part Number: FK12M
Date: 10/03/07