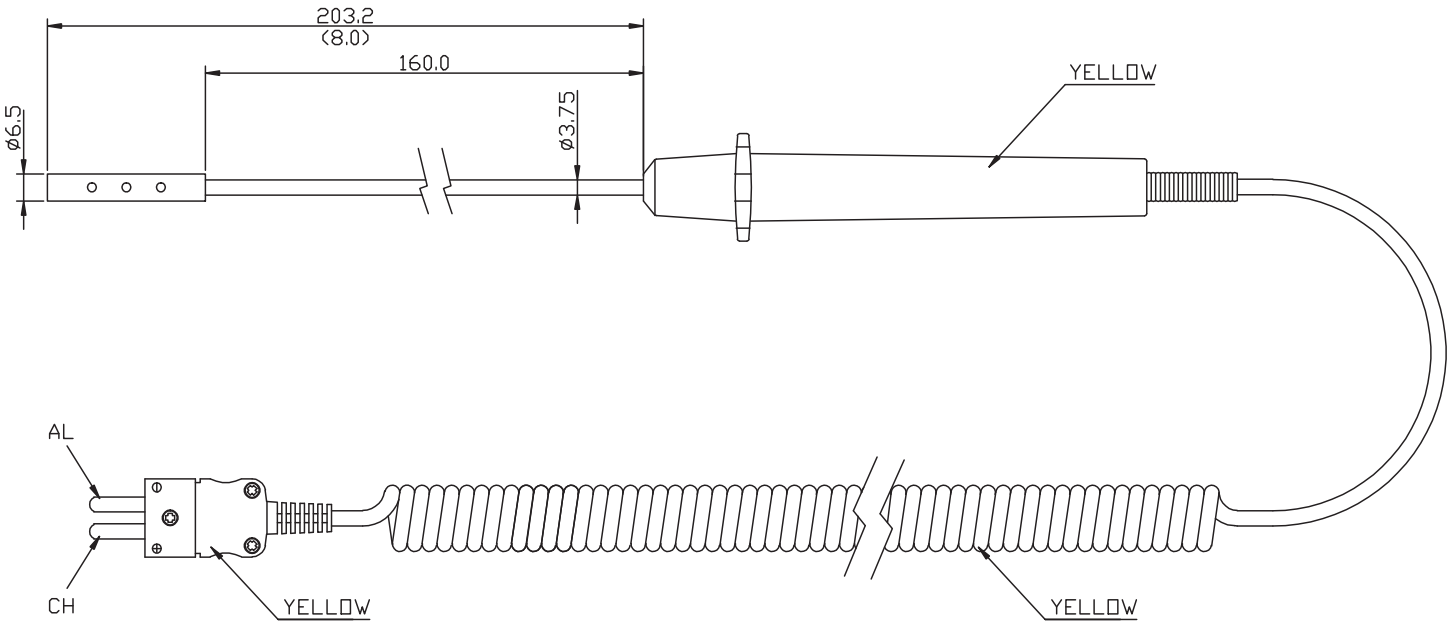


TYPE	SENSOR	CONNECTOR	RANGE	STEM LENGTH	DIAMETER	LEAD LENGTH	MATERIAL
Gas(Air)	K-TYPE	SUB-MINI	-40C TO 260C	8 inch	3.75m/m	1 meter	CH(+), AL(-)



mm
(inch)

Copyright © 2007 Test Products International, Inc.

Part Number: GK17M
Date: 10/03/07