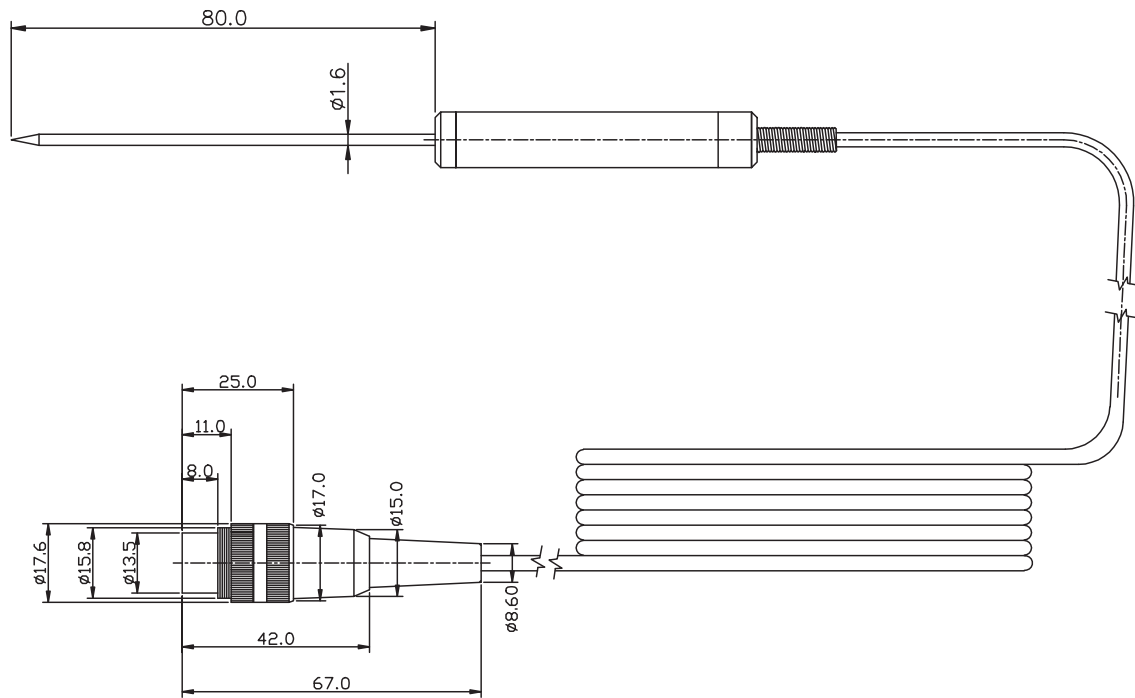


TYPE	SENSOR	CONNECTOR	RANGE	STEM LENGTH	DIAMETER	LEAD LENGTH	MATERIAL
Food(Chisel)	K-TYPE	LUMBERG	-100C TO 250C	80.0 M/M	1.6 m/m	1.2 meter	COPPER(+), CO(-)



mm

Part Number: FT15L
Date: 10/03/07

Copyright © 2007 Test Products International, Inc.