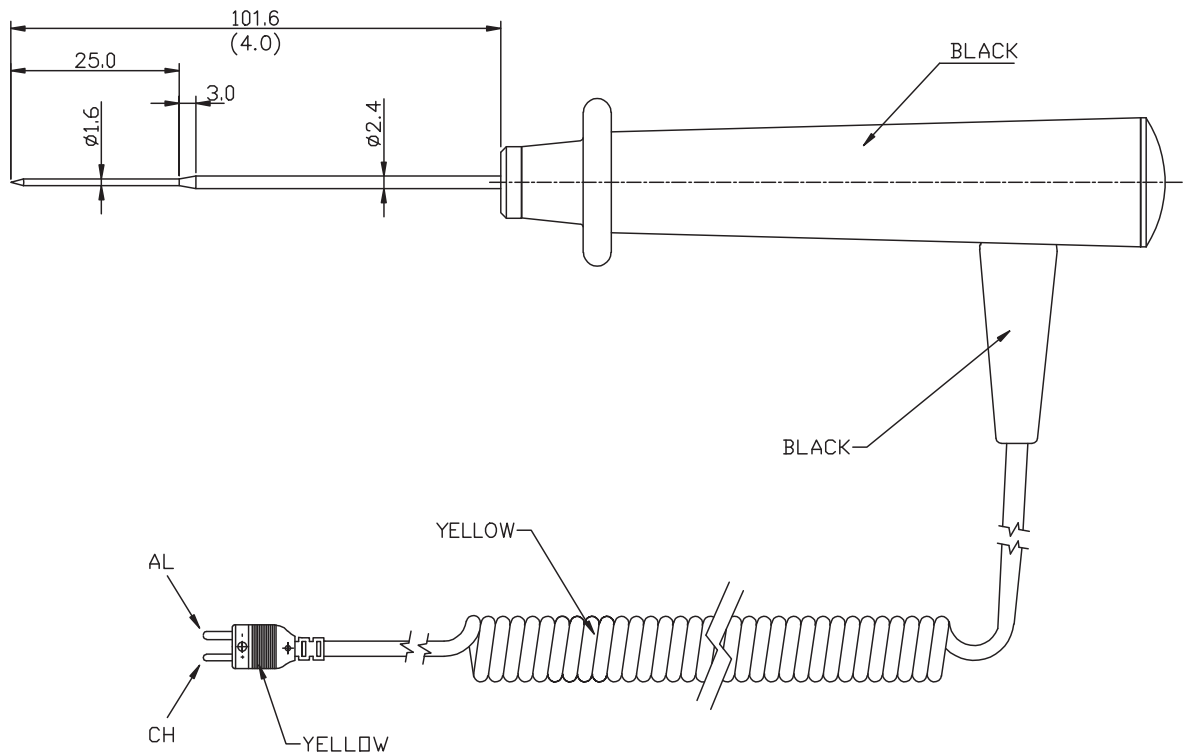


TYPE	SENSOR	CONNECTOR	RANGE	STEM LENGTH	DIAMETER	LEAD LENGTH	MATERIAL
Food(ch:sel)	K-TYPE	SUB-MINI	-50C TO 250C	4 inch	1.6/2.4 m/m	1 meter	CH(+), AL(-)



mm  
(inch)

Copyright © 2007 Test Products International, Inc.

Part Number: <b>FK22M</b>
Date: <b>10/03/07</b>