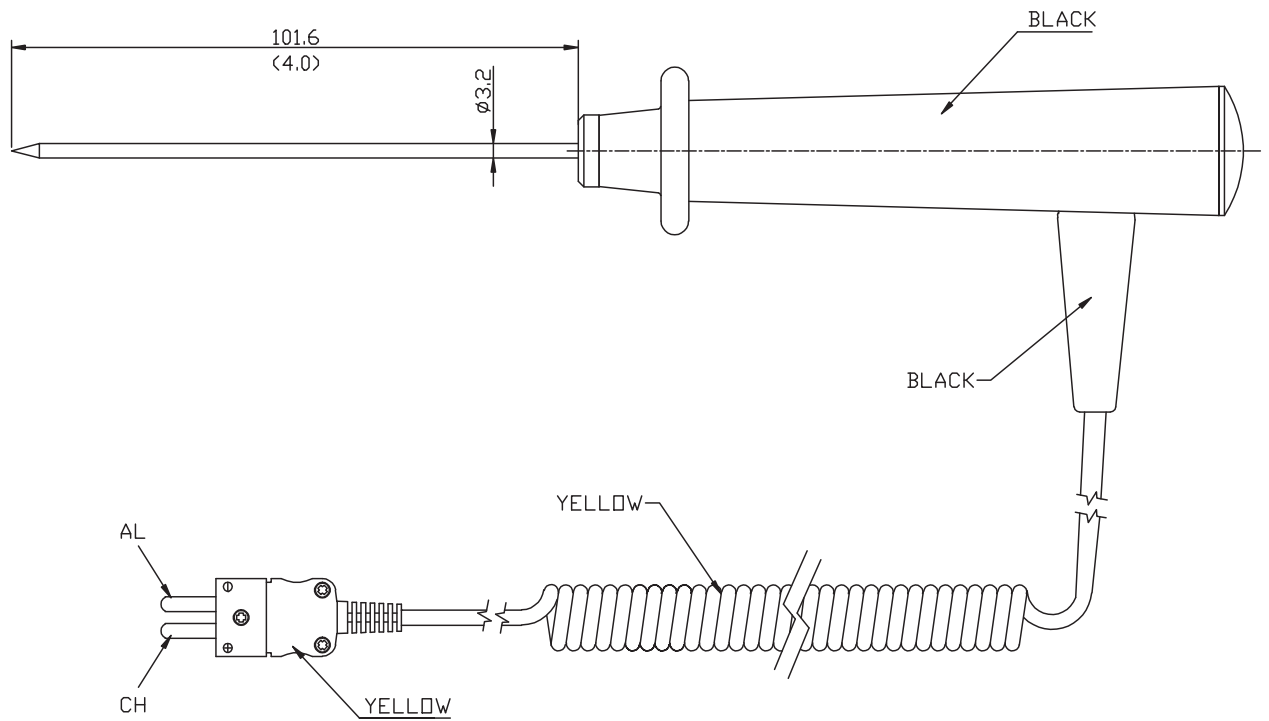


TYPE	SENSOR	CONNECTOR	RANGE	STEM LENGTH	DIAMETER	LEAD LENGTH	MATERIAL
Food(Chisel)	Thermistor	LEMO	-40C TO 150C	4inch	3.2m/m	0.7 meter	THERMISTOR



mm
(inch)

Copyright © 2007 Test Products International, Inc.

Part Number: FK11M
Date: 10/03/07