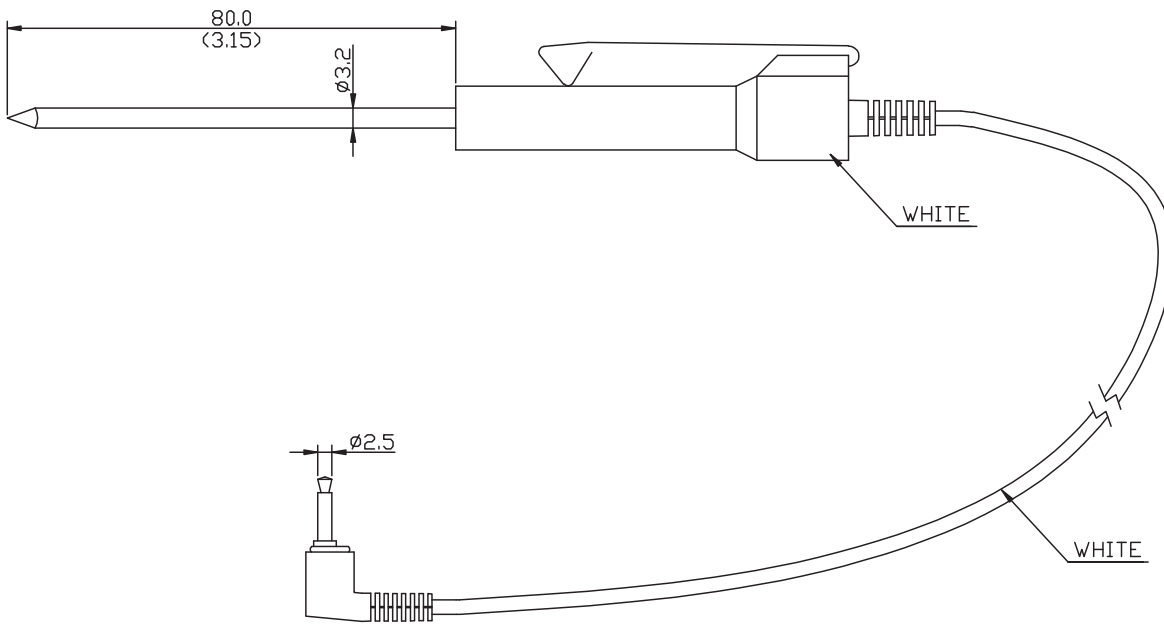


<i>TYPE</i>	<i>SENSOR</i>	<i>CONNECTOR</i>	<i>RANGE</i>	<i>STEM LENGTH</i>	<i>DIAMETER</i>	<i>LEAD LENGTH</i>	<i>MATERIAL</i>
<i>Food(Chisel)</i>	<i>Thermistor</i>	<i>Bi-Pole</i>	<i>-40C TO 150C</i>	<i>3.15inch</i>	<i>3.2m/m</i>	<i>0.4 meter</i>	<i>THERMISTOR</i>



mm
(inch)

Copyright © 2007 Test Products International, Inc.

Part Number: FX12B
Date: 10/03/07