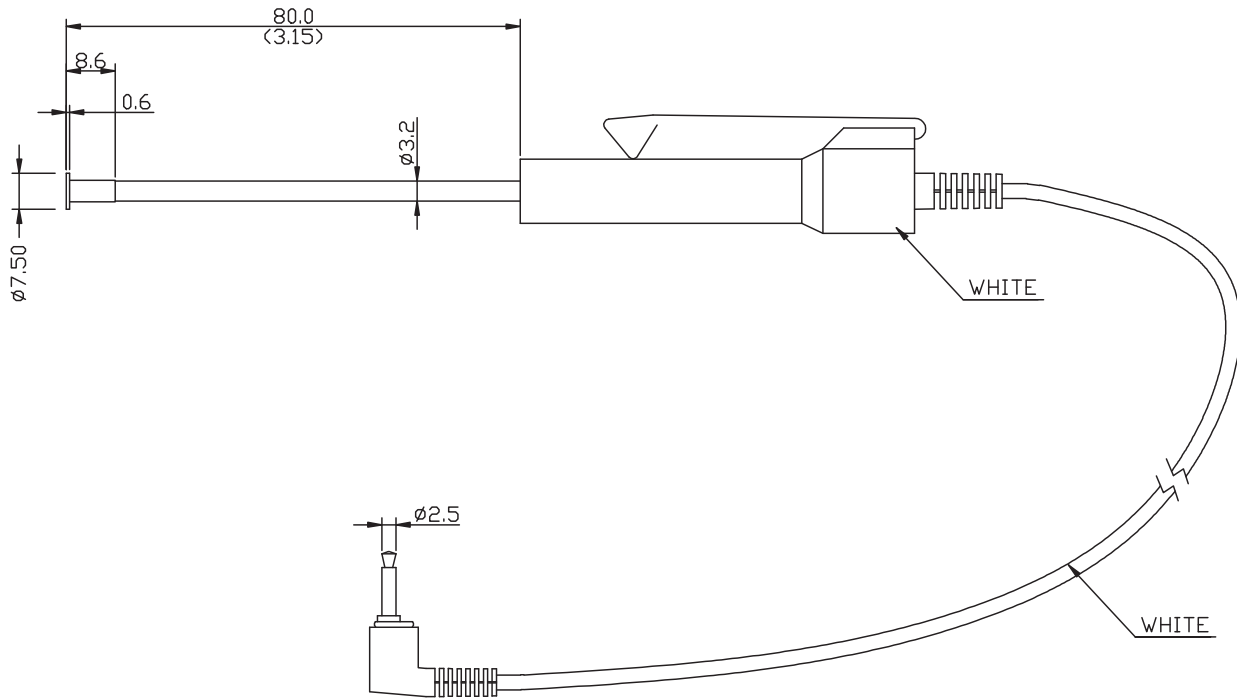


TYPE	SENSOR	CONNECTOR	RANGE	STEM LENGTH	DIAMETER	LEAD LENGTH	MATERIAL
CONTACT(SURFACE)	Thermistor	Bi-Pole	-40C TO 150C	3.15inch	3.2m/m	0.4 meter	THERMISTOR



mm
(inch)

Copyright © 2007 Test Products International, Inc.

Part Number: CX13B
Date: 10/03/07