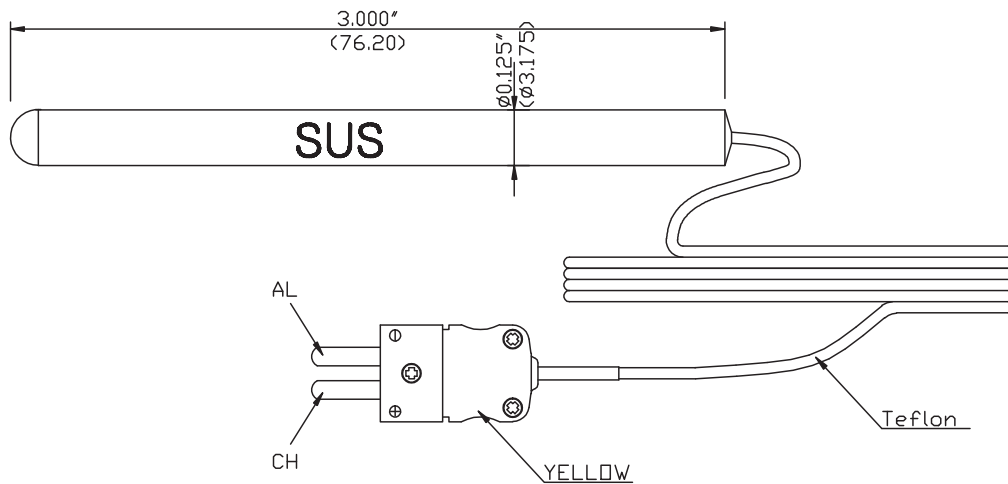


TYPE	SENSOR	CONNECTOR	RANGE	STEM LENGTH	DIAMETER	LEAD LENGTH	MATERIAL
Food(Chisel)	K-TYPE	SUB-MINI	-40°C TO 204°C	76.20 m/m	3.175 m/m	660.40 m/m	CH(+), AL(-)



mm
(inch)

Copyright © 2007 Test Products International, Inc.

Part Number: FK26M
Date: 10/03/07