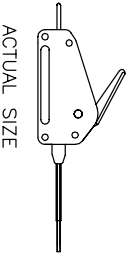
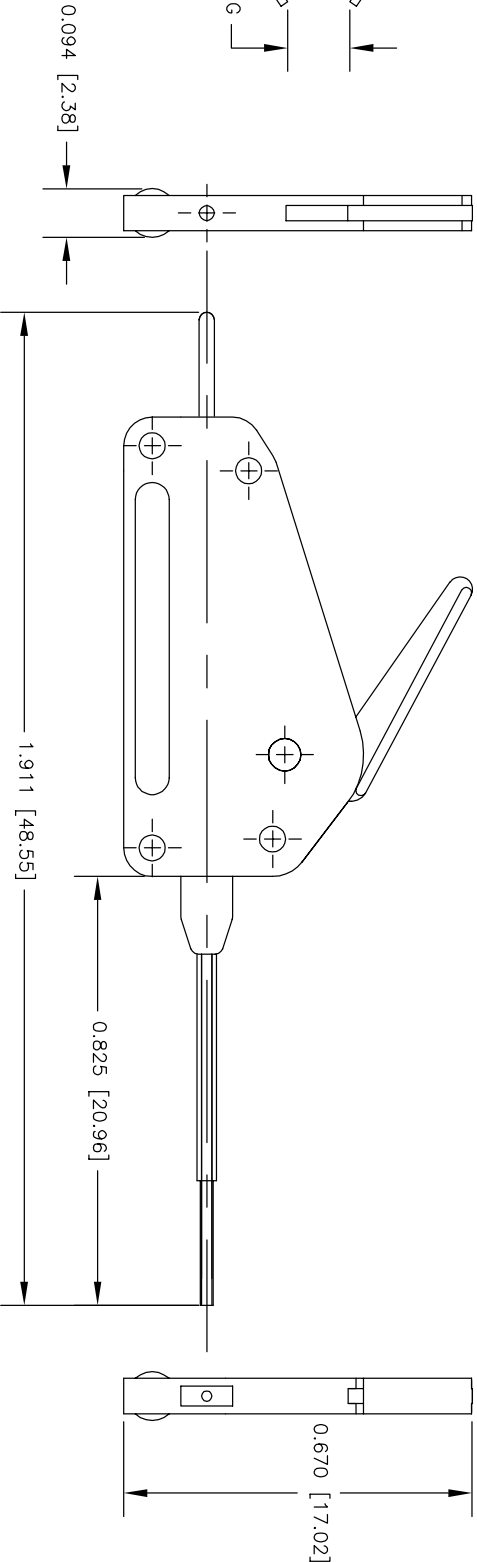
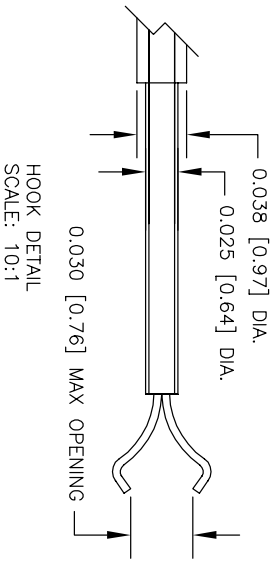
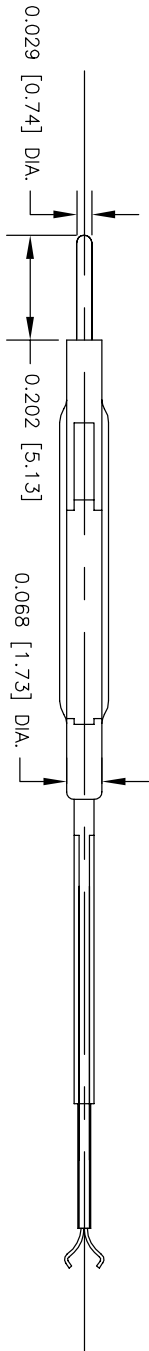


NOTES: UNLESS OTHERWISE SPECIFIED

- CONSTRUCTION:
HOUSING: MOLDED NYLON TYPE 6.6. AVAILABLE IN TEN COLORS.
TIP TUBING: INSULATED STAINLESS STEEL.
PIN PLUG: GOLD PLATED COPPER ALLOY.
HOOK: MUSIC WIRE.

- PERFORMANCE:
MAXIMUM CURRENT: 10 mA
MAXIMUM VOLTAGE: 30 V
MAXIMUM TEMPERATURE: 200°F (93°C)

- FEATURES:
FITS COMPONENTS UP TO $\varnothing 0.030$ [0.76].



UNLESS OTHERWISE SPECIFIED DIMENSIONS ARE IN INCHES FRACTIONS DECIMALS ANGLES * .XXX #		CONTRACT NO.	
DRAWN R.L.		APPROVALS	DATE
MATERIAL SEE NOTE.		APPROVED BY	6/09
FINISH SEE NOTE.			
NEXT ASSY USED ON			
APPLICATION DO NOT SCALE DRAWING			
DESCRIPTION	SIZE	CODE	IDENT NO.
E-Z-HOOK DIVISION OF TEKTEST INC. ARCADIA, CA 91006 U.S.A.	B	08505	X2015
DESCRIPTION	SCALE	DRAWING NO.	REV
E-Z-MICRO DOUBLE TEST CONNECTOR	4:1		
	SHEET 1 OF 1		

REVISIONS		DATE	APPROVED
LTR	DESCRIPTION		

THE INFORMATION CONTAINED IN THIS DOCUMENT IS PROPRIETARY TO EZ-HOOK. THE INFORMATION IS NOT TO BE REPRODUCED WITHOUT PERMISSION OF EZ-HOOK, DIV. OF TEKTEST INC. MAXIMUM TESTED RATINGS IN HANDS FREE CONTROLLED ENVIRONMENT. MAXIMUM RATINGS ARE NOT TO BE USED CONCURRENTLY.