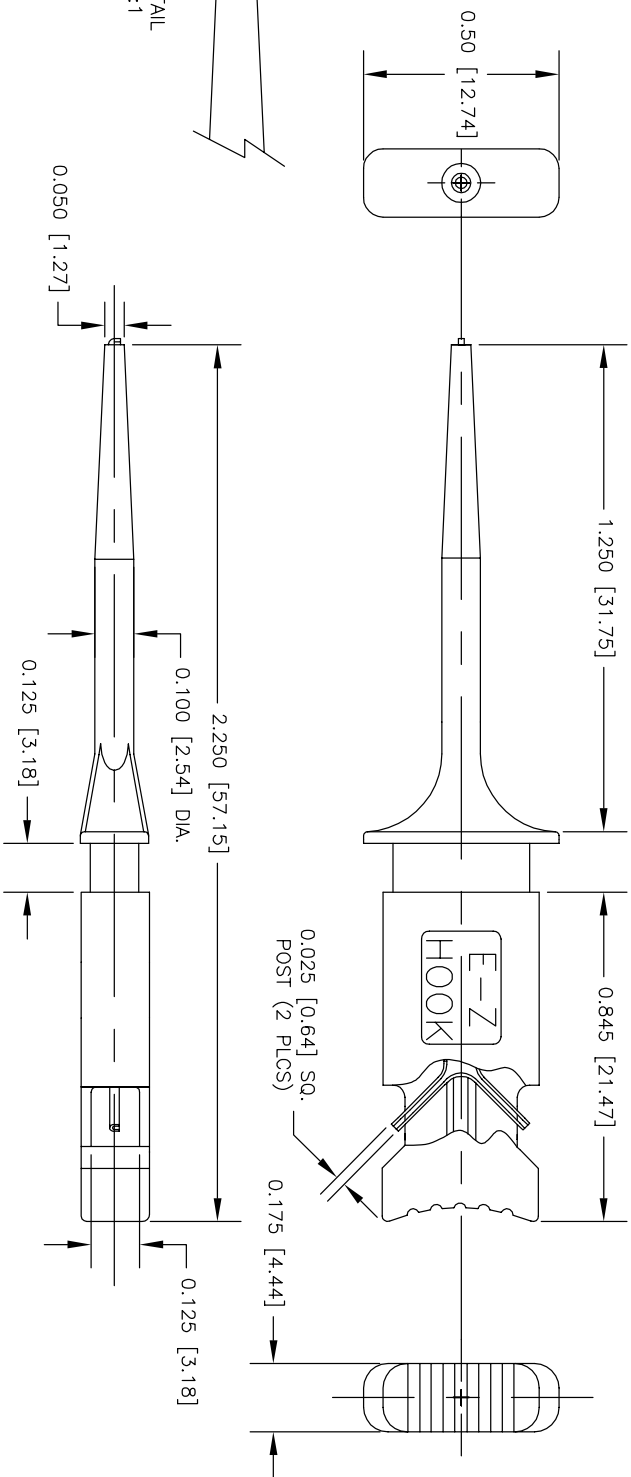
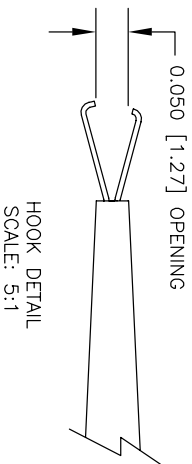
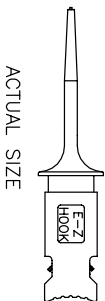


NOTES: UNLESS OTHERWISE SPECIFIED

- CONSTRUCTION:
  - HOUSING & PLUNGER: MOLDED NYLON DUPONT ZYTEL 1011
  - 10/11% GLASS FILLED. AVAILABLE IN TEN COLORS.
  - CONTACT BLADE: STAINLESS STEEL, 304 FULL HARD.
  - PASSIVATED PER MIL-S-5002 TYPE 1.
  - COMPRESSION SPRING: STAINLESS STEEL 302, .009" DIA. WIRE PASSIVATED.

- PERFORMANCE:
  - MAXIMUM CURRENT: XX
  - MAXIMUM VOLTAGE: XX
  - MAXIMUM TEMPERATURE: XX

- FEATURES:
  - HOOK FITS COMPONENTS UP TO  $\phi 0.050"$  [1.27].
  - PINS EXIT PLUNGER ON EITHER SIDE.
  - PINS PERMIT CONNECTION TO 0.025" [0.64] SQ. OR  $\phi 0.030"$  [0.76] SOCKETS.



UNLESS OTHERWISE SPECIFIED DIMENSIONS ARE IN INCHES FRACTIONS DECIMALS ANGLES ° XXX °		CONTRACT NO.	
DRAWN R.L.		APPROVALS	DATE
MATERIAL SEE NOTE.		APPROVED BY	6/09
FINISH SEE NOTE.			
NEXT ASSY USED ON			
APPLICATION DO NOT SCALE DRAWING			
DESCRIPTION <b>E-Z-HOOK</b> DIVISION OF TEKTEST INC. ARCADIA, CA 91006 U.S.A.		SIZE B	CODE IDENT NO. 08505
DRAWING NO. E-Z-MICRO HOOK GRIPPER TEST CONNECTOR		SCALE 3:1	DRAWING NO. XKM
SHEET 1 OF 1			

REV	DESCRIPTION	DATE	APPROVED

THE INFORMATION CONTAINED IN THIS DOCUMENT IS PROPRIETARY TO E-Z-HOOK. THE INFORMATION IS NOT TO BE REPRODUCED WITHOUT PERMISSION OF E-Z-HOOK, DIV. OF TEKTEST INC. MAXIMUM TESTED RATING IN A HANDS-FREE CONTROLLED ENVIRONMENT. MAXIMUM RATING IS NOT TO BE USED CURRENTLY.