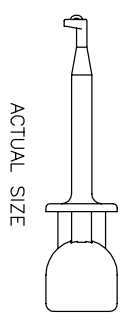
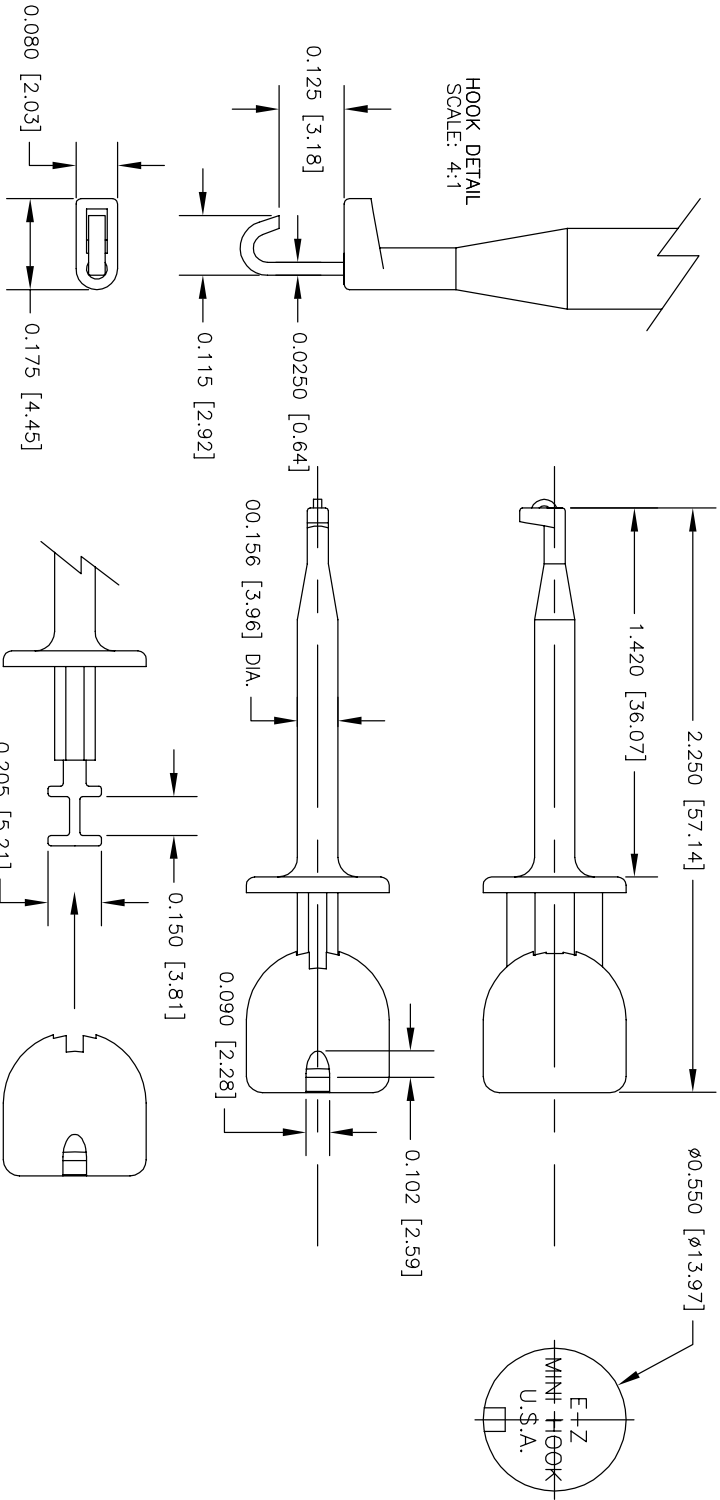


NOTES: UNLESS OTHERWISE SPECIFIED

- CONSTRUCTION:  
HOUSING & PLUNGER: MOLDED NYLON TYPE 6.6, AVAILABLE IN TEN COLORS.  
CONTACT BLADE: BERYLLIUM COPPER PER QQ-C-533. GOLD PLATED PER MIL-G-45204 B TYPE 1 .00001" THICK MINIMUM  
SPRING: STAINLESS STEEL TYPE 302
- PERFORMANCE:  
MAXIMUM CURRENT: 5.9 AMPS WITH A 77° TEMPERATURE RISE.  
MAXIMUM VOLTAGE: 5.4 KV  
MAXIMUM TEMPERATURE: 200°F (93°C)
- FEATURES:  
HOOK FITS COMPONENTS UP TO  $\phi 0.059"$  [1.50].  
FIELD SERVICEABLE.

REVISIONS		DATE	APPROVED
LTR			



UNLESS OTHERWISE SPECIFIED DIMENSIONS ARE IN INCHES. FRACTIONS, DECIMALS, ANGLES °, XXX +, +		CONTRACT NO.		DESCRIPTION	
		APPROVALS	DATE	<b>E-Z-HOOK</b> DIVISION OF TEKTEST INC. ARCADIA, CA 91006 U.S.A.	
DRAWN		R.L.	6/09	E-Z-MINI-HOOK TEST CONNECTOR	
APPROVED BY				SIZE CODE IDENT NO. DRAWING NO.	
MATERIAL		FINISH		B 08505 XR	
SEE NOTE.		SEE NOTE.		SCALE 2:1	
NEXT ASSY		USED ON		SHEET 1 OF 1	
APPLICATION		DO NOT SCALE DRAWING		R02	

THE INFORMATION CONTAINED IN THIS DOCUMENT IS PROPRIETARY TO E-Z-HOOK. THE INFORMATION IS NOT TO BE REPRODUCED WITHOUT PERMISSION OF E-Z-HOOK, DIV. OF TEKTEST INC. MAXIMUM TESTED RATING IN HANDS FREE CONTROLLED ENVIRONMENT. MAXIMUM RATING IS NOT TO BE USED CURRENTLY.