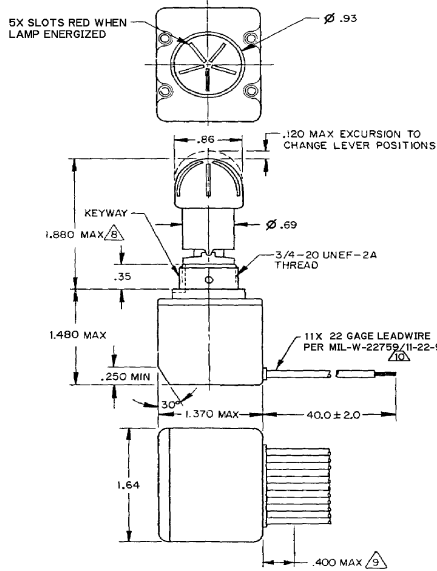


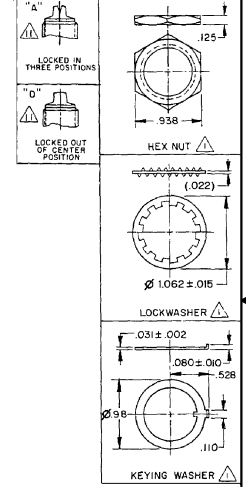
HONEYWELL
PART NUMBER
3TL32 SERIES CHART 1

REV	DOCUMENT	CHANGED BY	CHECK
18	0010276	KSR	29DEC04 AK

CATALOG LISTING	CIRCUIT MADE WITH TOGGLE LEVER IN			ELECTRICAL DATE
	KEYWAY SIDE (2-3,4-5,11-12)	CENTER (2-3,4-5,11-12)	OPPOSITE KEYWAY (1-2,4-5,10-11)	
FAA-PMA 13 3TL32-3D	ON	NONE	ON	28 VDC
FAA-PMA 12 3TL32-12A	ON	ON	ON	10 AMPS RESISTIVE 4 AMPS INDUCTIVE 2 AMPS MOTOR



- NOTES
- 1X EACH FURNISHED UNASSEMBLED
 - LEVER LOCKED IN ALL POSITIONS FOR 3TL32-12A
 - 28 VOLT T-1 3/4 LAMP PER MS 25237-387 FURNISHED IN LEVER KNOB
 - 4 - LAMP TERMINALS ARE 7 AND 9. TERMINAL 7 IS POSITIVE
 - 5 - SWITCHES ARE CAPABLE OF WITHSTANDING A TEMPERATURE OF 131°F CONTINUOUSLY AT FULL RATED LOAD
 - 6 - MICRO SWITCH CATALOG LISTING, CIRCUITRY, DATE CODE AND LAMP PER MS 25237-387 IDENTIFIED ON SIDE OF SWITCH
 - 7 - BUSHING IS SEALED TO PREVENT ENTRY OF NON TOXIC LIQUID SPILLS
 - 8 THIS DIMENSION APPLIES WITH PANEL KEY WASHER INSTALLED ON BUSHING SHOULDER, AND WITH 3TL32-12A TOGGLE LEVER IN THE CENTER DETENT POSITION
 - 9 EPOXY BUILD UP ALLOWED ON WIRES ONLY
 - 10 LEADWIRES MARKED WITH CIRCUIT IDENTIFICATION AND WIRE GAGE (1-22, 2-22, ETC) PER MIL-W-5088
 - 11 SUFFIX LETTER MUST BE ADDED FOR DESIRED TYPE TOGGLE
 - 12 "FAA-PMA" MUST BE MARKED ON SWITCH
 - 13 LEVER LOCKED OUT OF CENTER POSITION FOR 3TL32-3D
 - 14 FOR MANUFACTURING DETAIL SEE THE CORRESPONDING ASSEMBLY DRAWING FOR EACH LISTING FOR FAA - PMA



L 191
15A 125, 250, 277 VAC
1/2 HP 125 VAC
1 HP 250, 277 VAC
5A 125 VAC "L"

CE

UL

DESIGN UNITS: INCH	DRAWN	SAV	08APR99
TOLERANCES UNLESS NOTED:	CHECK	JAF	08APR99
NO PLACE X ± 0.040	THIS DRAWING COVERS A PROPRIETARY ITEM AND IS THE PROPERTY OF HONEYWELL. THIS DRAWING IS NOT TO BE COPIED OR USED WITHOUT THE PERMISSION OF HONEYWELL.		
ONE PLACE .X ± 0.030			
TWO PLACE .XX ± 0.015			
THREE PLACE .XXX ± 0.005			
FOUR PLACE .XXXX ± 0.0005			
ANGLES ± 2	INTERPRET PER ASME Y14.5M-1994 OTHER HONEYWELL ENGINEERING STANDARDS MAY APPLY		
THIRD ANGLE PROJECTION	RASTER		

Honeywell			
TITLE SWITCH - TOGGLE			
SIZE	TYPE	DRAWING NAME	REV
B	I	3TL32 SERIES CHART 1	18
SCALE	1:1	WEIGHT 9 OZ MAX	SHEET 1 OF 1