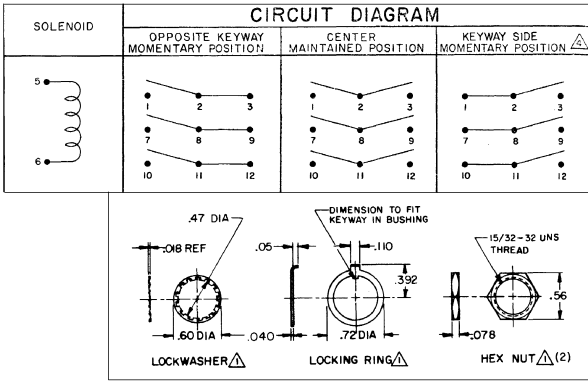
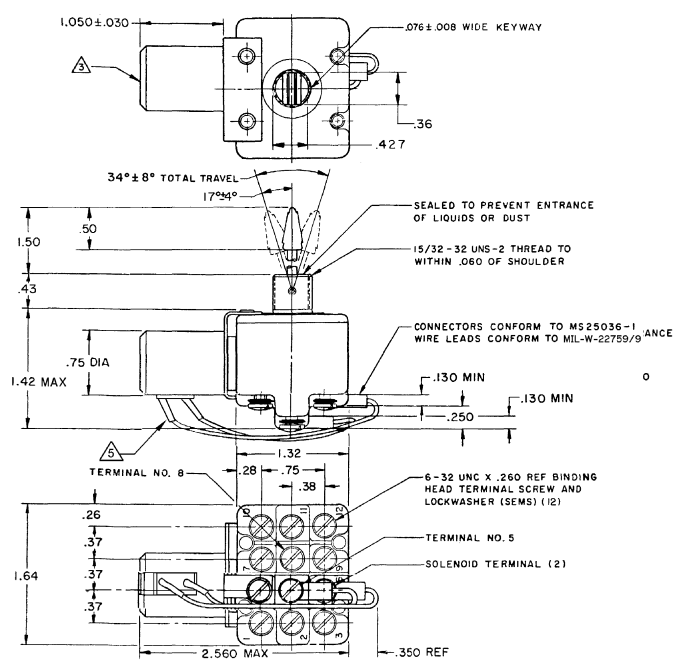


FO-55112-A
 HONEYWELL
 PART NUMBER
3TL55-7
 FAA - PMA

| REV | DOCUMENT | CHANGED BY | CHECK |
|-----|----------|-------------|-------|
| 15 | 0010276 | KSR 29DEC04 | AK |



- NOTES**
- 1 FURNISHED UNASSEMBLED
 - 2 SWITCH IS CAPABLE OF WITHSTANDING A TEMPERATURE OF 160°F CONTINUOUSLY AT FULL RATED LOAD
 - 3 SOLENOID: 18-30 VDC, 2.5 WATTS MAX. DUTY CYCLE: CONTINUOUS AT 30 VDC, TEMPERATURE RISE APPROX 15°C ABOVE 20°C NON-POLARIZED
 - 4 WHEN TOGGLE SWITCH IS MANUALLY ACTUATED TO MOMENTARY-ON POSITION WITH SOLENOID ENERGIZED, SWITCH WILL BE DETENTED IN THAT POSITION UNTIL SOLENOID IS DE-ENERGIZED. ELECTROMAGNETIC DETENT MAY BE MANUALLY OVERRIDDEN, DROPOUT VOLTAGE: 10VDC MAX
 - 5 HEAT SHRINK TUBING PER AMS-DTL-23053/5, CLASS 1
 - 6 FOR MANUFACTURING DETAIL SEE ASSEMBLY DRAWING 3TL55-7 FOR FAA - PMA
 - 7 FAA - PMA MUST BE MARKED ON SWITCH

| ELECTRICAL DATA | | | | | | | | | |
|--|----------------|-----|----------|-----|--------------|--------|--------------|--------|----------------|
| CURRENT CAPACITY (AMPS) | | | | | | | | | |
| CONTIN. UGUB | RESISTIVE LOAD | | | | LAMP LOAD | | | | INDUCTIVE LOAD |
| | DC VOLTS | | AC VOLTS | | 30VDC 115VAC | | 30VDC 115VAC | | 30VDC 115VAC |
| 30 | 115 | 230 | 115 | 230 | 30VDC | 115VAC | 30VDC | 115VAC | 30VDC 115VAC |
| 18 | .75 | .5 | 11 | 6 | 4 | 2 | 10 | 8 | |
| MECHANICAL LIFE-----50,000 CYCLES ELECTRICAL LIFE-----20,000 CYCLES | | | | | | | | | |

L 192
 10A 125 250 277 VAC
 1/4 HP 125 VAC
 1/2 HP 250, 277 VAC
 3A 125 VAC "L"

CE
 FI

| | | | |
|---|--|--|---|
| DESIGN UNITS: INCH TOLERANCES UNLESS NOTED: | DRAWN: SRH CHECK: LSD | 01JUN73 04JUN73 | Honeywell SWITCH - TOGGLE (MAGNETIC HOLD - IN) |
| NO PLACE .X ± 0.040 ONE PLACE .X ± 0.030 TWO PLACE .XX ± 0.015 THREE PLACE .XXX ± 0.005 FOUR PLACE .XXXX ± 0.0005 ANGLES ± 2 | THIS DRAWING COVERS A PROPRIETARY ITEM AND IS THE PROPERTY OF HONEYWELL. THIS DRAWING IS NOT TO BE COPIED OR USED WITHOUT THE PERMISSION OF HONEYWELL. | INTERPRET PER ASME Y14.5M-1994 OTHER HONEYWELL ENGINEERING STANDARDS MAY APPLY | |
| THIRD ANGLE PROJECTION | RASTER | SCALE: 1:1 | WEIGHT 6 OZ MAX SHEET 1 OF 1 |