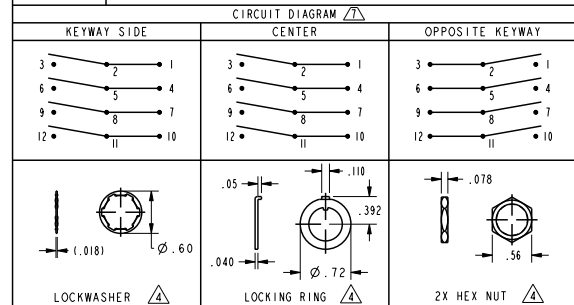


- NOTES
- SWITCHES ARE CAPABLE OF WITHSTANDING A TEMPERATURE OF 160°F CONTINUOUSLY AT FULL RATED LOAD
  - CIRCUIT DESIGNATION AND MICRO SWITCH CATALOG LISTING MARKED ON SIDE OF SWITCH
  - KEYWAY SHOWN ON LEFT SIDE
  - FURNISHED UNASSEMBLED
  - FOR TERMINAL COVER SEE MICRO SWITCH CATALOG LISTING 5PA9 SUFFIX LETTER MUST BE ADDED FOR DESIRED TYPE TOGGLE LOCKING. SEE CHART FOR AVAILABLE LOCKING COMBINATIONS
  - CIRCUIT DIAGRAMS APPLY ONLY TO "ON" AND "MOM ON" POSITIONS.
  - EIGHT TERMINAL SCREWS REQUIRED ON THIS LISTING
  - FROM BOTTOM OF KEYWAY TO MAJOR DIAMETER OF 15/32 THREAD
  - GOLD PLATED CONTACTS
  - FAA-PMA TO BE MARKED ON THESE SWITCHES
  - FOR MANUFACTURING DETAIL SEE THE CORRESPONDING ASSEMBLY DRAWING FOR EACH LISTING FOR FAA-PMA

CATALOG LISTING	AVAILABLE LOCKING COMBINATIONS FOR CONFIGURATION SEE LETTERED DETAILS	CIRCUIT WITH TOGGLE IN			CURRENT CAPACITY (AMPS)								
		KEYWAY SIDE	CENTER	OPPOSITE KEYWAY	RESISTIVE LOAD		LAMP LOAD		INDUCTIVE LOAD				
		1-2, 4-5, 7-8, 10-11	1-2, 4-5, 7-8, 10-11	2-3, 5-6, 8-9, 11-12	DC VOLTS	AC VOLTS	DC VOLTS	AC VOLTS	DC VOLTS	AC VOLTS			
4TL887-1	A,B,D,F,G,H,J,K,L,M,N,P	ON	OFF	ON	20	75	15	6	5	4	12	15	
4TL887-2	D, F, G	OFF	NONE	ON	(REFER TO L191 FOR UL RATING)								
4TL887-3	D, F, G	ON	NONE	ON	(REFER TO L191 FOR UL RATING)								
4TL887-21	E, F, K, M	NONE	OFF	ON	(REFER TO L192 FOR UL RATING)								
4TL887-31	E, F, K, M	NONE	ON	ON	(REFER TO L192 FOR UL RATING)								
4TL887-4	F	MOM OFF	NONE	ON	(REFER TO L192 FOR UL RATING)								
4TL887-5	E, F, K, L, M, N	MOM ON	OFF	ON	(REFER TO L192 FOR UL RATING)								
4TL887-6	F	MOM ON	NONE	OFF	18	75	.5	11	6	4	2	10	8
4TL887-7	E, L, N	MOM ON	OFF	MOM ON	(REFER TO L192 FOR UL RATING)								
4TL887-8	E, L, N	MOM ON	NONE	ON	(REFER TO L192 FOR UL RATING)								
4TL887-51	E	NONE	ON	MOM ON	(REFER TO L192 FOR UL RATING)								
4TL887-61	E	MOM ON	OFF	NONE	(REFER TO L192 FOR UL RATING)								

"A"	"B"	"C"	"D"	"E"	"F"	"G"
LOCKED IN THREE POSITIONS	LOCKED IN CENTER AND EXTREME POS. (KEYWAY SIDE)	LOCKED OUT OF CENTER POSITION	LOCKED IN CENTER POSITION	LOCKED IN EXTREME POS. (OPP. KEYWAY)	LOCKED IN EXTREME POS. (KEYWAY SIDE)	
LOCKED OUT OF CENTER AND EXTREME POS. (KEYWAY SIDE)	LOCKED OUT OF CENTER AND EXTREME POS. (OPP. KEYWAY)	LOCKED IN CENTER AND EXTREME POS. (OPP. KEYWAY)	LOCKED OUT OF CENTER POSITION (KEYWAY SIDE)	LOCKED OUT OF EXTREME POS. (OPP. KEYWAY)	LOCKED OUT OF EXTREME POS. (OPP. KEYWAY)	
LOCKED OUT OF AND INTO EXTREME POS. (KEYWAY SIDE)						



L191 15A 125, 250, 277 VAC 1/2HP 125 VAC 1HP 250, 277 VAC 5A 125 VAC "1"	CE ULC	L192 10A 125, 250, 277 VAC 1/4HP 125 VAC 1/2HP 250, 277 VAC 3A 125 VAC "1"	CE ULC
---	-----------	---	-----------

FAA-PMA APPROVED

DESIGN UNITS: INCH TOLERANCES UNLESS NOTED: NO PLACE X ± ONE PLACE .X ± TWO PLACE .XX ± THREE PLACE .XXX ± FOUR PLACE .XXXX ± ANGLES X ±	DRAWN SAV 24NOV99 CHECK JAF 24NOV99 THIS DRAWING COVERS A PROPRIETARY ITEM AND IS THE PROPERTY OF HONEYWELL. THIS DRAWING IS NOT TO BE COPIED OR USED WITHOUT THE PERMISSION OF HONEYWELL.	Honeywell	
THIRD ANGLE PROJECTION	INTERPRET PER ASME Y14.5M-1994 OTHER HONEYWELL ENGINEERING STANDARDS MAY APPLY	TITLE SWITCH-TOGGLE	
	PRO/ENGINEER	SIZE C	DRAWING NAME 4TL887 SERIES CHART 2
	2D SCALE FULL	SHEET 1	REV 4