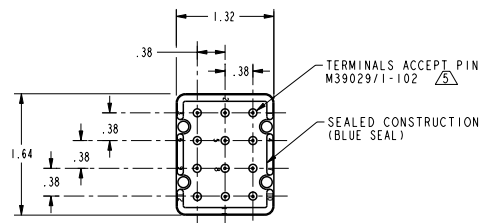
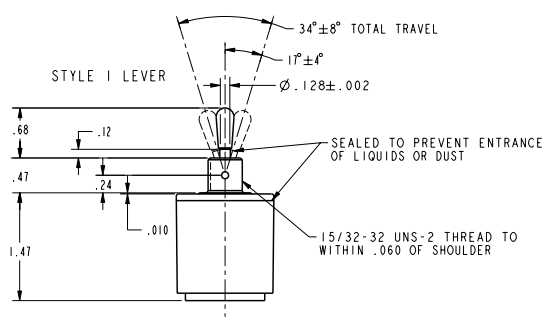
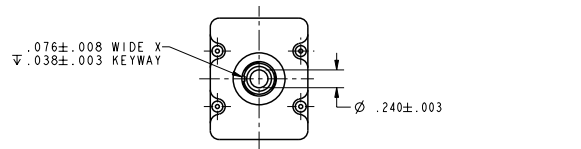
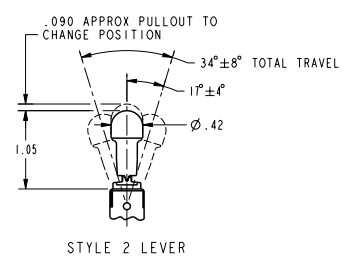


104TL1-III SERIES
 CHART 1
 ISSUE 1
 DATE 10/15/73
 PREPARED BY JLF
 CHECKED BY JLF
 DRAWN BY TSM
 DATE 10/15/73
 PTC/CAD 120
 REVISIONS



- NOTES
- SWITCHES ARE CAPABLE OF WITHSTANDING A TEMPERATURE OF 160°F CONTINUOUSLY AT FULL RATED LOAD
 - CIRCUIT DESIGNATION AND MICRO SWITCH CATALOG LISTING MARKED ON SIDE OF SWITCH
 - KEYWAY SHOWN ON LEFT SIDE
 - FURNISHED UNASSEMBLED
 - THE SEALING GROMMET SHALL SEAL ON A SMOOTH WIRE INSULATION OF .068 TO .103 DIAMETERS (14-16 GAGE)
 - SUFFIX LETTER MUST BE ADDED FOR DESIRED TYPE TOGGLE LOCKING. SEE CHART FOR AVAILABLE LOCKING COMBINATIONS
 - UNUSED TERMINAL HOLES MAY BE SEALED WITH PLUGS M83723/28-16



104TL1-III SERIES CHART 1

CATALOG LISTING	AVAILABLE LOCKING COMBINATIONS FOR CONFIGURATION SEE LETTERED DETAILS	STYLE NUMBER	CURRENT CAPACITY (AMPS)					
			RESISTIVE LOAD		LAMP LOAD		INDUCTIVE LOAD	
			DC VOLTS	AC VOLTS	28 VDC	125 VDC	28 VDC	125 VDC
104TL1-111	NONE	1	20	1.75	5	15	6	7
104TL1-111/6	ALL	2					4	12
*A	LOCKED IN THREE POSITIONS							
*B	LOCKED IN CENTER AND EXTREME POSN (KEYWAY SIDE)							
*D	LOCKED OUT OF CENTER POSITION							
*E	LOCKED IN CENTER POSITION							
*F	LOCKED IN EXTREME POSN (OPP KEYWAY)							
*G	LOCKED IN EXTREME POSN (KEYWAY SIDE)							
*H	LOCKED OUT OF CENTER AND EXTREME POSN (KEYWAY SIDE)							
*J	LOCKED OUT OF CENTER AND EXTREME POSN (OPP KEYWAY)							
*K	LOCKED IN CENTER AND EXTREME POSN (OPP KEYWAY)							
*L	LOCKED OUT OF EXTREME POSN (KEYWAY SIDE)							
*M	LOCKED OUT OF EXTREME POSN AND INTO EXTREME POSN							
*N	LOCKED OUT OF EXTREME POSN (OPP KEYWAY)							
*P	LOCKED OUT OF AND INTO EXTREME POSN (KEYWAY SIDE)							
			LOCKWASHER		LOCKING RING		2X HEX NUT	
CIRCUIT MADE WITH TOGGLE LEVER IN								
KEYWAY SIDE			CENTER			OPPOSITE KEYWAY		
MAINTAINED POSITION			MAINTAINED POSITION			MAINTAINED POSITION		

THIS DRAWING COVERS A PROPRIETARY ITEM AND IS THE PROPERTY OF MICRO SWITCH, A DIVISION OF HONEYWELL. THIS DRAWING IS NOT TO BE COPIED OR USED WITHOUT THE APPROVAL OF MICRO SWITCH.

MICRO SWITCH a Honeywell Division <small>FED. MFG. CODE 91829</small>	SWITCH-TOGGLE	CATALOG LISTING 104TL1-III SERIES CHART 1
--	----------------------	---

THIRD ANGLE PROJECTION
 SCALE FULL
 DO NOT SCALE PRINT
 UNLESS OTHERWISE SPECIFIED TOLERANCES ARE
 ONE PLACE (.01) ±.030
 TWO PLACES (.001) ±.015
 THREE PLACES (.000) ±.005
 ANGLES °
 WEIGHT

MASTER REDUCED
ANSI Y14.5M-1982 APPLIES