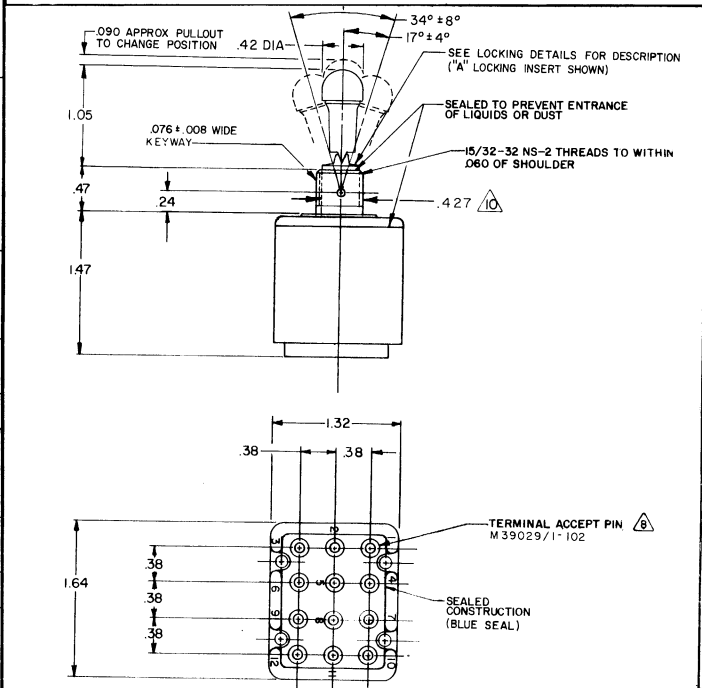


M 104TL1 SERIES CHART 2
 DRAWING NUMBER
 1 2 3 4 5 6 7

MICRO SWITCH SWITCH-TOGGLE 104TL1 SERIES CHART 2

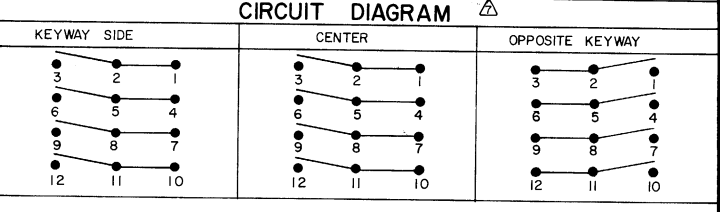
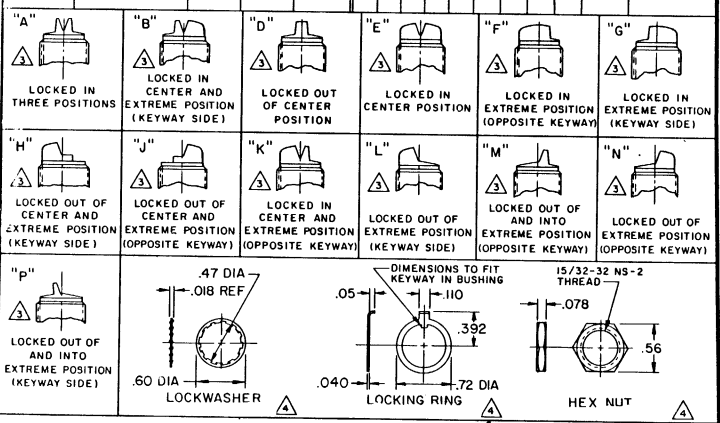
THIS DRAWING COVERS A PROPRIETARY ITEM AND IS THE PROPERTY OF MICRO SWITCH, A DIVISION OF HONEYWELL. THIS DRAWING IS NOT TO BE COPIED OR USED WITHOUT THE APPROVAL OF MICRO SWITCH.



- NOTES-**
- SWITCHES ARE CAPABLE OF WITHSTANDING A TEMPERATURE OF 160° F CONTINUOUSLY AT FULL RATED LOAD
 - CIRCUIT DESIGNATION, MICRO SWITCH CATALOG LISTING, DATE CODE AND 'MS' NUMBER STAMPED ON SIDES OF SWITCH
 - FURNISHED UNASSEMBLED
 - THESE SWITCHES ARE QUALIFIED UNDER MIL-S-3950
 - SUFFIX LETTER MUST BE ADDED FOR DESIRED TYPE TOGGLE LOCKING
 - SEE CHART FOR AVAILABLE LOCKING COMBINATIONS
 - CIRCUIT DIAGRAMS APPLY ONLY TO "ON" AND "MOM ON" POSITIONS
 - THE SEALING GROMMET SHALL SEAL ON A SMOOTH WIRE INSULATION OF .068 TO .103 DIAMETERS (14-16 GAUGE)
 - UNUSED TERMINAL HOLES MAY BE SEALED WITH PLUGS M83723-28-16 FROM BOTTOM OF KEYWAY TO MAJOR DIA OF 13/32 THREAD

SCALE FULL
 DO NOT SCALE PRINT
 UNLESS OTHERWISE NOTED
 DIMENSIONS ARE IN INCHES
TOLERANCES ARE
 ONE PLACE (.01) ± .030
 TWO PLACE (.00) ± .018
 THREE PLACE (.000) ± .005
 ANGLES
 WEIGHT

CAT. LIST.	AVAILABLE LOCKING COMBINATIONS FOR CONFIGURATION SEE LETTERED DETAILS	CIRCUIT TOGGLE IN			CURRENT CAPACITY (AMPS)						MS NUMBER			
		EXTREME POSITION KEYWAY SIDE	CENTER	EXTREME POSITION OPPOSITE KEYWAY	RESISTIVE LOAD DC VOLTS IAC VOLTS		LAMP LOAD		INDUCTIVE LOAD			CONTINUOUS		
					30	115	250	115	230	30			115	30
104TL1-1	A,B,D,E,F,G,H,J,K,L,M,N,P	ON	OFF	ON								27783-21		
104TL1-2	D, F, G	OFF	NONE	ON								27783-22		
104TL1-3	D, F, G	ON	NONE	ON								27783-23		
104TL1-21	E, F, K, M	NONE	OFF	ON	20	75	5	15	6	5	4	12	15	27783-24
104TL1-31	E, F, K, M	NONE	ON	ON										27783-33
104TL1-4	F	MOM OFF	NONE	ON										27783-29
104TL1-5	E, F, K, L, M, N	MOM ON	OFF	ON										27783-31
104TL1-6	F	MOM ON	NONE	OFF										27783-30
104TL1-7	E, L, N	MOM ON	OFF	MOM ON										27783-27
104TL1-8	F	MOM ON	NONE	ON										27783-26
104TL1-41	F	NONE	MOM OFF	ON	18	75	5	11	6	4	2	10	8	27783-25
104TL1-51	E	NONE	ON	MOM ON										27783-32
104TL1-61	E	MOM ON	OFF	NONE										27783-28



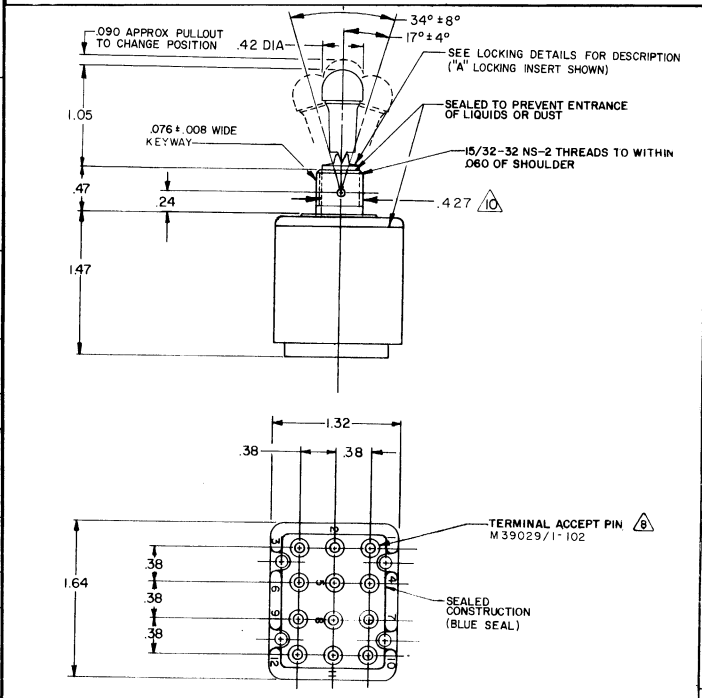
104TL1 SERIES
CHART 2
 DRAWING NUMBER
 M 7

MICRO SWITCH
 FREEPORT, ILLINOIS, U.S.A.
 A DIVISION OF HONEYWELL
 FED. MFG. CODE 51929

SWITCH-TOGGLE

CATALOG LISTING
104 TL1 SERIES
CHART 2

THIS DRAWING COVERS A PROPRIETARY ITEM AND IS THE PROPERTY OF MICRO SWITCH, A DIVISION OF HONEYWELL. THIS DRAWING IS NOT TO BE COPIED OR USED WITHOUT THE APPROVAL OF MICRO SWITCH.

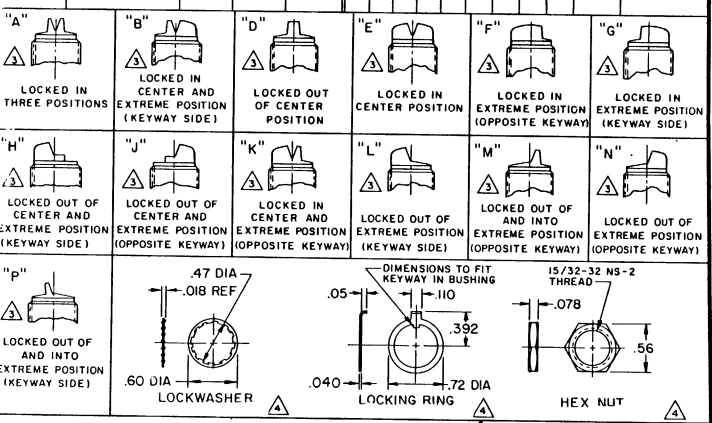


REVISIONS
 A [037951] J A L 7 DEC 78
 B [] M A D E E T S
 C [] 15 MAR 77
 D [] 16 NOV 81
 E [] 20 NOV 82
 F [] 12 JUL 85
 G [] 17 JAN 76
 H [] 17 JAN 76
 I [] 17 JAN 76
 J [] 17 JAN 76
 K [] 17 JAN 76
 L [] 17 JAN 76
 M [] 17 JAN 76
 N [] 17 JAN 76
 O [] 17 JAN 76
 P [] 17 JAN 76
 Q [] 17 JAN 76
 R [] 17 JAN 76
 S [] 17 JAN 76
 T [] 17 JAN 76
 U [] 17 JAN 76
 V [] 17 JAN 76
 W [] 17 JAN 76
 X [] 17 JAN 76
 Y [] 17 JAN 76
 Z [] 17 JAN 76

SCALE FULL
 DO NOT SCALE PRINT
 UNLESS OTHERWISE NOTED
 DIMENSIONS ARE IN INCHES
TOLERANCES ARE
 ONE PLACE (.01) ± .030
 TWO PLACE (.00) ± .018
 THREE PLACE (.000) ± .008
 ANGLES
 WEIGHT

- NOTES-
- SWITCHES ARE CAPABLE OF WITHSTANDING A TEMPERATURE OF 160° F CONTINUOUSLY AT FULL RATED LOAD
 - CIRCUIT DESIGNATION, MICRO SWITCH CATALOG LISTING, DATE CODE AND 'MS' NUMBER STAMPED ON SIDES OF SWITCH
 - KEYWAY SHOWN ON LEFT SIDE
 - FURNISHED UNASSEMBLED
 - THESE SWITCHES ARE QUALIFIED UNDER MIL-S-3950
 - SUFFIX LETTER MUST BE ADDED FOR DESIRED TYPE TOGGLE LOCKING
 - SEE CHART FOR AVAILABLE LOCKING COMBINATIONS
 - CIRCUIT DIAGRAMS APPLY ONLY TO "ON" AND "MOM ON" POSITIONS
 - THE SEALING GROMMET SHALL SEAL ON A SMOOTH WIRE INSULATION OF .068 TO .103 DIAMETERS (14-16 GAGE)
 - UNUSED TERMINAL HOLES MAY BE SEALED WITH PLUGS M83723-28-16 FROM BOTTOM OF KEYWAY TO MAJOR DIA OF 13/32 THREAD
 - FROM BOTTOM OF KEYWAY TO MAJOR DIA OF 13/32 THREAD

CAT. LIST.	AVAILABLE LOCKING COMBINATIONS FOR CONFIGURATION (SEE LETTERED DETAILS)	CIRCUIT TOGGLE IN		CURRENT CAPACITY (AMPS)						MS NUMBER				
		EXTREME POSITION KEYWAY SIDE	CENTER	RESISTIVE LOAD DC VOLTS	RESISTIVE LOAD AC VOLTS	LAMP LOAD VDC	INDUCTIVE LOAD VDC	INDUCTIVE LOAD VAC	CONTINUOUS					
104TL1-1	A,B,D,E,F,G,H,I,K,L,M,N,P	ON	OFF	ON						27783-21				
104TL1-2	D, F, G	OFF	NONE	ON						27783-22				
104TL1-3	D, F, G	ON	NONE	ON						27783-23				
104TL1-21	E, F, K, M	NONE	OFF	ON	20	75	5	15	6	5	4	12	15	27783-24
104TL1-31	E, F, K, M	NONE	ON	ON										27783-33
104TL1-4	F	MOM OFF	NONE	ON										27783-29
104TL1-5	E, F, K, L, M, N	MOM ON	OFF	ON										27783-31
104TL1-6	F	MOM ON	NONE	OFF										27783-30
104TL1-7	E, L, N	MOM ON	OFF	MOM ON										27783-27
104TL1-8	F	MOM ON	NONE	ON										27783-26
104TL1-41	F	NONE	MOM OFF	ON	18	75	5	11	6	4	2	10	8	27783-25
104TL1-51	E	NONE	ON	MOM ON										27783-32
104TL1-61	E	MOM ON	OFF	NONE										27783-28



CIRCUIT DIAGRAM

KEYWAY SIDE	CENTER	OPPOSITE KEYWAY