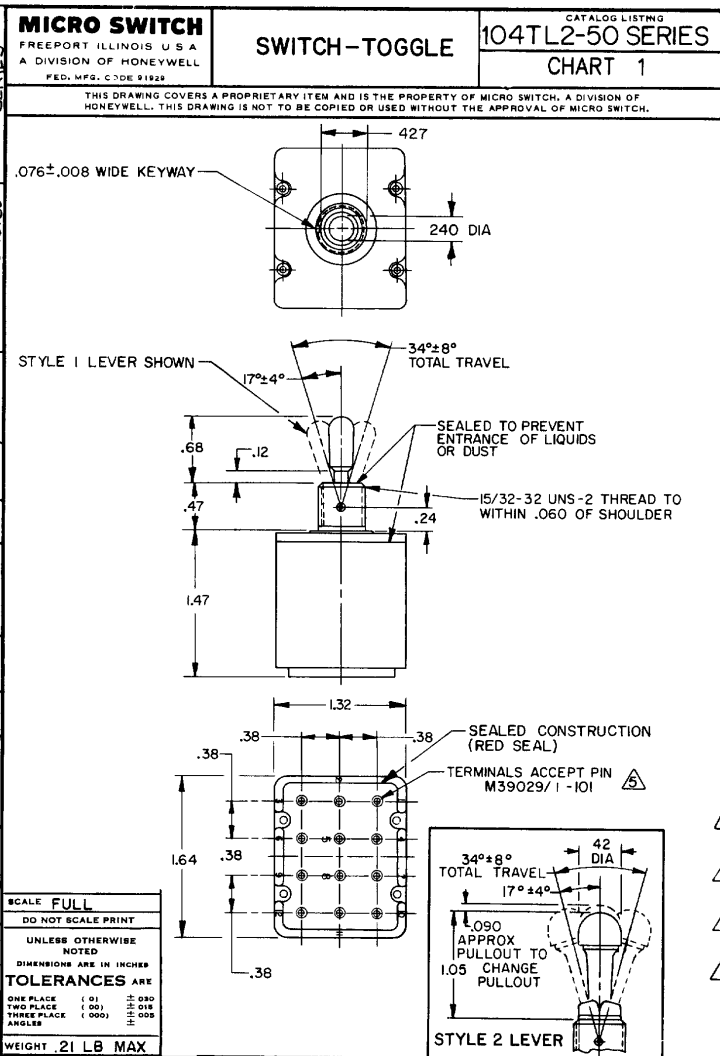


MICRO SWITCH
 104TL2-50 SERIES CHART 1
 ISSUE 2
 CHECK
 REVISIONS
 A 19363
 5 MAY 99
 CHECK
 K AG 23 JUN 04
 CHECK
 SCALE FULL
 DO NOT SCALE PRINT
 UNLESS OTHERWISE NOTED
 DIMENSIONS ARE IN INCHES
 TOLERANCES ARE
 ONE PLACE (.01) ± .010
 TWO PLACE (.00) ± .005
 THREE PLACE (.000) ± .002
 ANGLE ± .005
 WEIGHT 21 LB MAX



MICRO SWITCH		SWITCH-TOGGLE		104TL2-50 SERIES CHART 1		MS NUMBER	CATALOG LISTING	AVAILABLE LOCKING COMBINATIONS FOR CONFIGURATION SEE LETTERED DETAILS	STYLE NUMBER	CURRENT CAPACITY (AMPS)								
FREEPORT ILLINOIS U.S.A. A DIVISION OF HONEYWELL FED. REG. CODE 91928										RESISTIVE LOAD		LAMP LOAD		INDUCTIVE LOAD				
THIS DRAWING COVERS A PROPRIETARY ITEM AND IS THE PROPERTY OF MICRO SWITCH, A DIVISION OF HONEYWELL. THIS DRAWING IS NOT TO BE COPIED OR USED WITHOUT THE APPROVAL OF MICRO SWITCH.						27786-2	(A)	NONE	1	28	125	250	125	250	28	125	28	125
						27789-2	104TL2-50	E, F, K, L, M, N	2	75	75	5	75	6	5	2	75	75
"A"	LOCKED IN THREE POSITIONS	"B"	LOCKED IN CENTER AND EXTREME POSITION (KEYWAY SIDE)	"D"	LOCKED OUT OF CENTER POSITION	"E"	LOCKED IN CENTER POSITION	"F"	LOCKED IN EXTREME POSITION (OPPOSITE KEYWAY)									
"G"	LOCKED IN EXTREME POSITION (KEYWAY SIDE)	"H"	LOCKED OUT OF CENTER AND EXTREME POSITION (KEYWAY SIDE)	"J"	LOCKED OUT OF CENTER AND EXTREME POSITION (OPPOSITE KEYWAY)	"K"	LOCKED IN CENTER AND EXTREME POSITION (OPPOSITE KEYWAY)	"L"	LOCKED OUT OF EXTREME POSITION (KEYWAY SIDE)									
"M"	LOCKED OUT OF AND INTO EXTREME POSITION (OPPOSITE KEYWAY)	"N"	LOCKED OUT OF EXTREME POSITION (OPPOSITE KEYWAY)	"P"	LOCKED OUT OF AND INTO EXTREME POSITION (KEYWAY SIDE)													
CIRCUIT MADE WITH TOGGLE LEVER IN																		
KEYWAY SIDE			CENTER			OPPOSITE KEYWAY												
MOMENTARY POSITION			MAINTAINED POSITION			MAINTAINED POSITION												

NOTES
 1 - SWITCHES ARE CAPABLE OF WITHSTANDING A TEMPERATURE OF 160° F CONTINUOUSLY AT FULL RATED LOAD
 2 - CIRCUIT DESIGNATION AND MICRO SWITCH CATALOG LISTING AND MS NUMBER STAMPED ON SIDE OF SWITCH FURNISHED UNASSEMBLED
 3 THE SEALING GROMMET SHALL SEAL ON A SMOOTH WIRE INSULATION OF .040 TO .083 DIAMETERS (16-20 GAGE)
 4 UNUSED TERMINAL HOLES MAY BE SEALED WITH PLUGS M83723/28-20
 5 THESE UNITS ARE QUALIFIED UNDER MIL-S-3950
 6 SUFFIX LETTER MUST BE ADDED FOR DESIRED TYPE TOGGLE LOCKING SEE CHART FOR AVAILABLE LOCKING COMBINATIONS
 7 KEYWAY SHOWN ON LEFT SIDE