

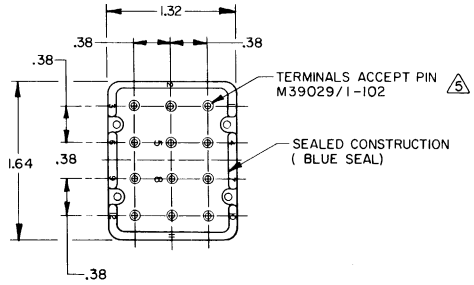
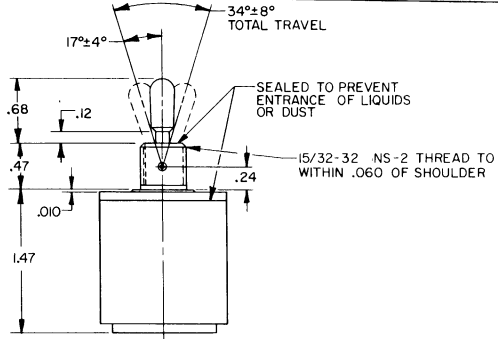
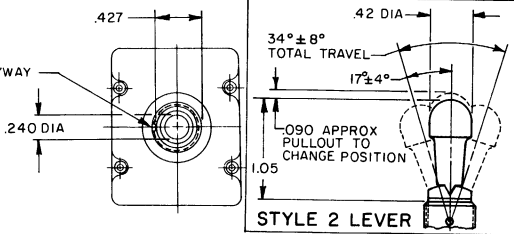
M 104TL1-12 SERIES
 CHART 1
 DRAWING NUMBER
 ISSUE 1
 REVISIONS
 CHECKED
 DRAWN
 DATE

MICRO SWITCH
 FREEPORT ILLINOIS U.S.A.
 A DIVISION OF HONEYWELL
 FED. MFG. CODE 91929

SWITCH-TOGGLE

CATALOG LISTING
104 TL1-12 SERIES
CHART 1

THIS DRAWING COVERS A PROPRIETARY ITEM AND IS THE PROPERTY OF MICRO SWITCH, A DIVISION OF HONEYWELL. THIS DRAWING IS NOT TO BE COPIED OR USED WITHOUT THE APPROVAL OF MICRO SWITCH.



MS NUMBER	CATALOG LISTING	AVAILABLE LOCKING COMBINATIONS FOR CONFIGURATION SEE LETTERED DETAILS	STYLE NUMBER	MILITARY RATING (AMPS)								
				RESISTIVE LOAD		LAMP LOAD		INDUCTIVE LOAD				
				DC VOLTS	AC VOLTS	DC VOLTS	AC VOLTS	DC VOLTS	AC VOLTS			
27724-1	104TL1-12	NONE	1	20	.75	.5	15	6	5	4	12	15
27783-1	104TL1-12	A,B,D,E,F,G,H,J,K,L,M,N,P	2									

KEYWAY SIDE	CENTER	OPPOSITE KEYWAY
MAINTAINED POSITION	MAINTAINED POSITION	MAINTAINED POSITION

NOTES
 1 - SWITCHES ARE CAPABLE OF WITHSTANDING A TEMPERATURE OF 160°F CONTINUOUSLY AT FULL RATED LOAD
 2 - CIRCUIT DESIGNATION, MICRO SWITCH CATALOG LISTING AND MILITARY PART NUMBER STAMPED ON SIDE OF SWITCH
 KEYWAY SHOWN ON LEFT SIDE
 FURNISHED UNASSEMBLED
 THE SEALING GROMMET SHALL SEAL ON A SMOOTH WIRE INSULATION OF .068 TO .103 DIAMETERS (14-16 GAGE)
 SUFFIX LETTER MUST BE ADDED FOR DESIRED TYPE TOGGLE LOCKING. SEE CHART FOR AVAILABLE LOCKING COMBINATIONS
 7 - UNUSED TERM. HOLES MAY BE SEALED WITH PLUGS M83723/28-18

SCALE FULL
 DO NOT SCALE PRINT
 UNLESS OTHERWISE NOTED
 DIMENSIONS ARE IN INCHES
TOLERANCES ARE:
 ONE PLACE (.01) .030
 TWO PLACE (.00) .018
 THREE PLACE (.000) .005
 ANGLES .005
WEIGHT