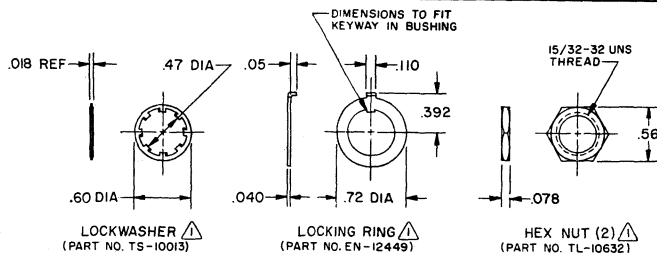
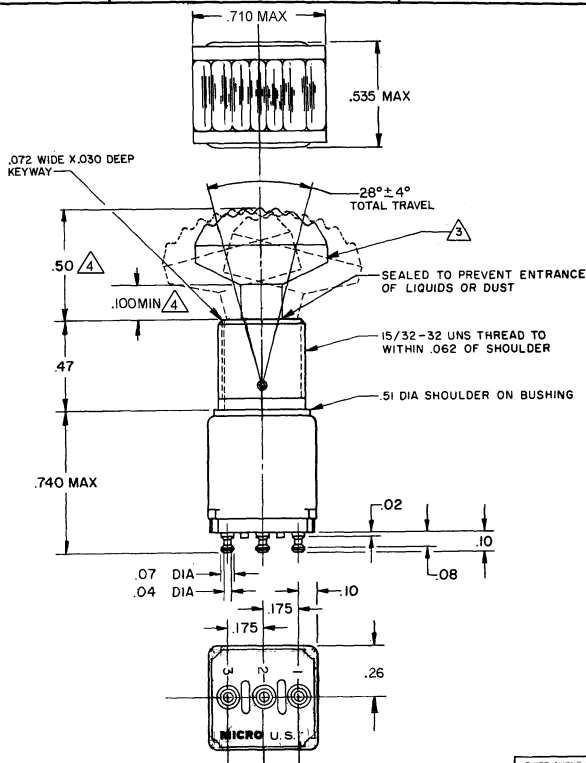


MICRO SWITCH
 FREEPORT, ILLINOIS, U.S.A.
 A DIVISION OF HONEYWELL
 FED. MFG. CODE 9182P

SWITCH-TOGGLE

CATALOG LISTING
11TW29 SERIES
CHART 1

THIS DRAWING COVERS A PROPRIETARY ITEM AND IS THE PROPERTY OF MICRO SWITCH, A DIVISION OF HONEYWELL. THIS DRAWING IS NOT TO BE COPIED OR USED WITHOUT THE APPROVAL OF MICRO SWITCH.



CATALOG LISTING	ONE EXTREME POSITION (KEYWAY) 2-1	CENTER POSITION	OTHER EXTREME POSITION (OPPOSITE KEYWAY) 2-3
11TW29-1	ON	OFF	ON
11TW29-2	OFF	NONE	ON
11TW29-3	ON	NONE	ON
11TW29-5	MOM ON	OFF	ON
11TW29-7	MOM ON	OFF	MOM ON
11TW29-8	MOM ON	NONE	ON

CATALOG LISTING
11TW29 SERIES CHART 1
 PAGE 1 OF 1
 ISSUE **M**
 3
 REVISIONS
 A 207718
 21 MAR 83
 B 0001429
 10 SEP 83
 CHECK KAG 23 JUN 94
 CHECK LUF 10 JUN 94
 ROSTER
 DIVISION
 LUF

CHARACTERISTICS	ELECTRICAL DATA	SCALE 2 TO 1																												
	CONTACT ARRANGEMENT	DO NOT SCALE PRINT																												
	CODE L117 5A-125 VAC	TOLERANCES APPLY TO DECIMAL UNITS. CONVERSIONS ARE ONLY FOR REFERENCE. UNLESS NOTED, TOLERANCES ARE IT.																												
		<table border="1"> <tr> <td>DIM.</td> <td>TOL.</td> <td>DIM.</td> <td>TOL.</td> </tr> <tr> <td>IN</td> <td>FRACTION</td> <td>MM</td> <td>DECIMAL</td> </tr> <tr> <td>NO PLACES</td> <td>±</td> <td>2.00</td> <td>± 0.005</td> </tr> <tr> <td>ONE PLACE</td> <td>±</td> <td>0.005</td> <td>± 0.0005</td> </tr> <tr> <td>TWO PLACES</td> <td>±</td> <td>0.0005</td> <td>± 0.00005</td> </tr> <tr> <td>THREE PLACES</td> <td>±</td> <td>0.00005</td> <td>± 0.000005</td> </tr> <tr> <td>FOUR PLACES</td> <td>±</td> <td>0.000005</td> <td>± 0.0000005</td> </tr> </table>	DIM.	TOL.	DIM.	TOL.	IN	FRACTION	MM	DECIMAL	NO PLACES	±	2.00	± 0.005	ONE PLACE	±	0.005	± 0.0005	TWO PLACES	±	0.0005	± 0.00005	THREE PLACES	±	0.00005	± 0.000005	FOUR PLACES	±	0.000005	± 0.0000005
DIM.	TOL.	DIM.	TOL.																											
IN	FRACTION	MM	DECIMAL																											
NO PLACES	±	2.00	± 0.005																											
ONE PLACE	±	0.005	± 0.0005																											
TWO PLACES	±	0.0005	± 0.00005																											
THREE PLACES	±	0.00005	± 0.000005																											
FOUR PLACES	±	0.000005	± 0.0000005																											
		DESIGN UNITS <input type="checkbox"/> METRIC <input checked="" type="checkbox"/> US CUSTOMARY																												
		WEIGHT .025 LB MAX																												

- NOTES
- 1 FURNISHED UNASSEMBLED
 - 2 TERMINALS ARE PLATED FOR SOLDERING
 - 3 DULL BLACK FINISH
 - 4 DIMENSIONS APPLY AFTER MOUNTING. TORQUE SET SCREW TO 8-9 IN-LBS