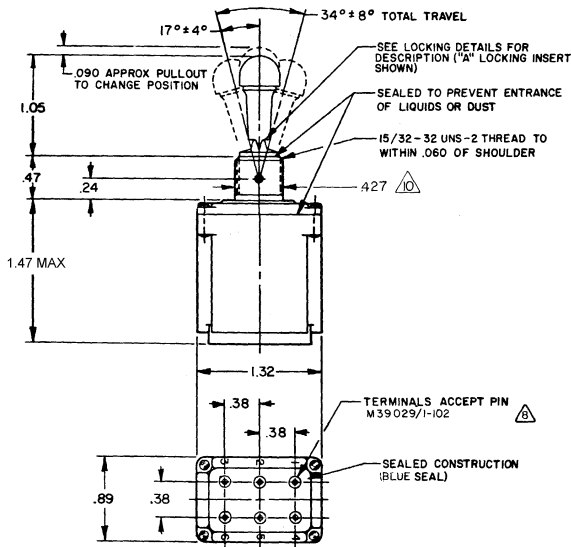
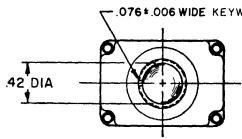


MICRO SWITCH
 FREEPORT ILLINOIS, U.S.A.
 A DIVISION OF HONEYWELL
 FED. MFG. CODE 91928

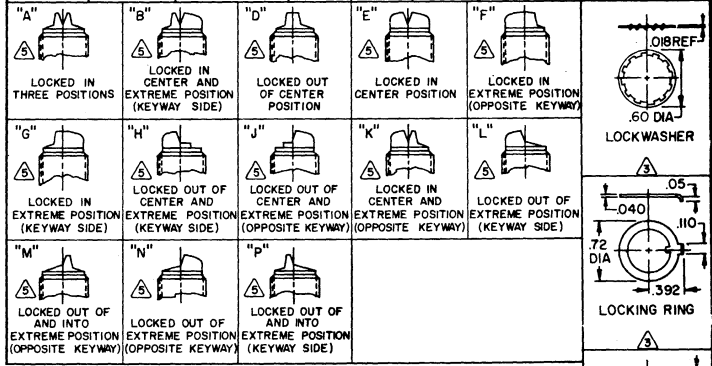
SWITCH-TOGGLE

CATALOG LISTING
102TLL1 SERIES
CHART 2

THIS DRAWING COVERS A PROPRIETARY ITEM AND IS THE PROPERTY OF MICRO SWITCH, A DIVISION OF HONEYWELL. THIS DRAWING IS NOT TO BE COPIED OR USED WITHOUT THE APPROVAL OF MICRO SWITCH.



MILITARY STANDARD NUMBER	CATALOG LISTING	AVAILABLE LOCKING COMBINATIONS FOR CONFIGURATION SEE LETTERED DETAILS	CIRCUIT MADE WITH TOGGLE LEVER IN			CURRENT CAPACITY (AMPS)								
			KEYWAY SIDE (1-2, 4-5)	CENTER KEYWAY (1-2, 4-5)	OPPOSITE KEYWAY (2-3, 5-6)	RESISTIVE LOAD DC VOLTS AC VOLTS		LAMP LOAD VDC VAC		INDUCTIVE LOAD VDC VAC				
MS27782-21	102TL1-1	A,B,D,E,F,G,H,J,K,L,M,N,P	ON	OFF	ON	28	125	250	125	250	28	125	28	125
MS27782-22	102TL1-2	D, F, G	OFF	NONE	ON									
MS27782-23	102TL1-3	D, F, G	ON	NONE	ON	20	75	150	75	150	20	75	20	75
MS27782-24	102TL1-21	E, F, K, M	NONE	OFF	ON									
MS27782-33	102TL1-31	E, F, K, M	NONE	ON	ON									
MS27782-29	102TL1-4	F	MOM OFF	NONE	ON									
MS27782-31	102TL1-5	E, F, K, L, M, N	MOM ON	OFF	ON									
MS27782-30	102TL1-6	F	MOM ON	NONE	OFF									
MS27782-27	102TL1-7	E, L, N	MOM ON	OFF	MOM ON	18	75	150	75	150	18	75	18	75
MS27782-26	102TL1-8	F	MOM ON	NONE	ON									
MS27782-32	102TL1-51	E	NONE	ON	MOM ON									
MS27782-28	102TL1-61	E	MOM ON	OFF	NONE									



- NOTES**
- SWITCHES ARE CAPABLE OF WITHSTANDING A TEMPERATURE OF 160°F CONTINUOUSLY AT FULL RATED LOAD
 - CIRCUIT DESIGNATION, MICRO SWITCH CATALOG LISTING, DATE CODE AND MS NUMBER IDENTIFIED ON SIDE OF SWITCH
 - FURNISHED UNASSEMBLED
 - THESE SWITCHES ARE QUALIFIED UNDER MIL-S-3950
 - KEYWAY SHOWN ON LEFT SIDE
 - SUFFIX LETTER MUST BE ADDED FOR DESIRED TYPE OF TOGGLE LOCKING. SEE CHART FOR AVAILABLE LOCKING COMBINATIONS
 - APPLIES ONLY TO "ON" AND "MOM ON" POSITIONS
 - THE SEALING GROMMET SHALL SEAL ON A SMOOTH WIRE INSULATION OF .068 TO .103 DIAMETERS (14-16 GAGE)
 - UNUSED TERMINAL HOLES MAY BE SEALED WITH PLUGS M83723/28-16
 - FROM BOTTOM OF KEYWAY TO MAJOR DIA. OF 15/32 THREAD

CATALOG LISTING
102TLL1 SERIES CHART 2
 INHILE 12 M 102TLL1 SERIES CHART 2
 RELEASE NO.
 REVISIONS
 A 38392
 B 49270
 C 52
 D 606074
 E 605747
 F 609291
 G 63399
 H 201413
 I 402100
 SCALE FULL
 DO NOT SCALE PRINT
 UNLESS OTHERWISE NOTED
 DIMENSIONS ARE IN INCHES
TOLERANCES ARE:
 ONE PLACE (.01) H/11Z .030
 TWO PLACE (.001) H/11Z .018
 THREE PLACE (.0001) H/11Z .008
 ANGLES H/11Z .008
 WEIGHT .135 LBS MAX