

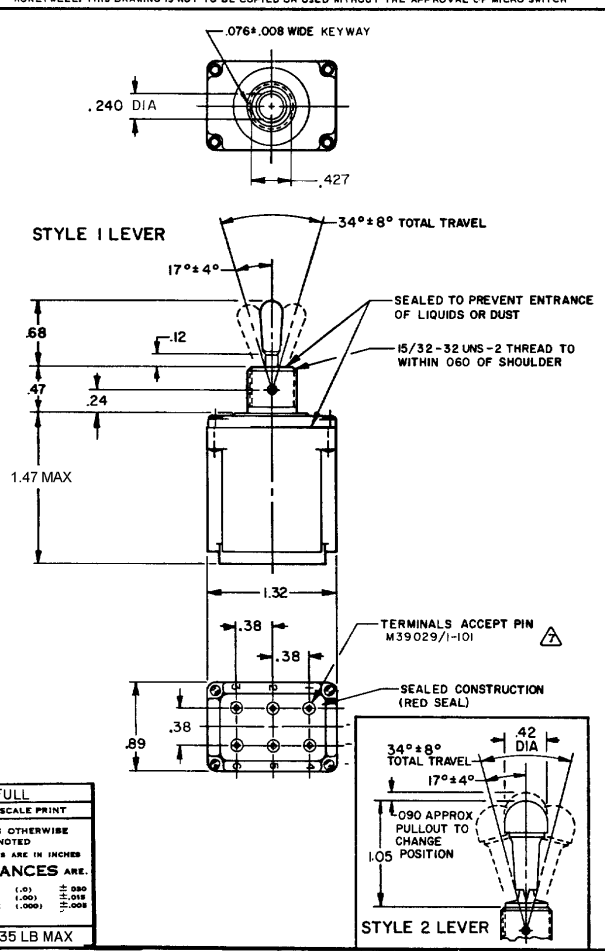
102TL2-10 SERIES CHART 1
 ISSUE 4
 CHECK
 REVISIONS
 A CO92297
 B CO93999
 C 201413
 D 100100
 DRAWN
 9 JUN 94
 CHECK
 KAG
 23 JUN 94
 RASTER
 1 J O

MICRO SWITCH
 FREEPORT ILLINOIS U S A
 A DIVISION OF HONEYWELL
 FED. MFG. CODE 91928

SWITCH-TOGGLE

CATALOG LISTING
102TL2-10 SERIES
CHART 1

MS NUMBER	CATALOG LISTING	AVAILABLE LOCKING COMBINATIONS FOR CONFIGURATION SEE LETTERED DETAILS	STYLE NUMBER	CURRENT CAPACITY (AMPS)								
				RESISTIVE LOAD		LAMP LOAD		INDUCTIVE LOAD				
DC VOLTS	AC VOLTS	28 V.D.C.	125 V.A.C.	250 V.D.C.	125 V.A.C.	28 V.D.C.	125 V.A.C.					
27785-1	102TL2-10	NONE	1	20	.75	.5	15	6	7	4	15	15
27788-1	102TL2-10	A,B,D,E,F,G,H,J,K,L,M,N,P	2									



"A"	"B"	"D"	"E"	"F"	LOCKWASHER
LOCKED IN THREE POSITIONS	LOCKED IN CENTER AND EXTREME POSITION (KEYWAY SIDE)	LOCKED OUT OF CENTER POSITION	LOCKED IN CENTER POSITION	LOCKED IN EXTREME POSITION (OPPOSITE KEYWAY)	LOCKING RING
"G"	"H"	"J"	"K"	"L"	
LOCKED IN EXTREME POSITION (KEYWAY SIDE)	LOCKED OUT OF CENTER AND EXTREME POSITION (KEYWAY SIDE)	LOCKED OUT OF CENTER AND EXTREME POSITION (OPPOSITE KEYWAY)	LOCKED IN CENTER AND EXTREME POSITION (OPPOSITE KEYWAY)	LOCKED OUT OF EXTREME POSITION (KEYWAY SIDE)	
"M"	"N"	"P"			
LOCKED OUT OF AND INTO EXTREME POSITION (OPPOSITE KEYWAY)	LOCKED OUT OF EXTREME POSITION (OPPOSITE KEYWAY)	LOCKED OUT OF AND INTO EXTREME POSITION (KEYWAY SIDE)			

CIRCUIT MADE WITH TOGGLE LEVER IN		
KEYWAY SIDE	CENTER	OPPOSITE KEYWAY
MAINTAINED POSITION	MAINTAINED POSITION	MAINTAINED POSITION

- NOTES**
- SWITCHES ARE CAPABLE OF WITHSTANDING A TEMPERATURE OF 160°F CONTINUOUSLY AT FULL RATED LOAD
 - CIRCUIT DESIGNATION, MICRO SWITCH CATALOG LISTING, DATE CODE AND MS NUMBER IDENTIFIED ON SIDE OF SWITCH
 - FURNISHED UNASSEMBLED
 - UNUSED TERMINAL HOLES MAY BE SEALED WITH PLUGS M83723/28-20
 - KEYWAY SHOWN ON LEFT SIDE
 - SUFFIX LETTER MUST BE ADDED FOR DESIRED TYPE TOGGLE LOCKING
 - THE SEALING GROMMET SHALL SEAL ON A SMOOTH WIRE INSULATION OF .040 TO .083 DIAMETERS (16-20 GAGE)

SCALE FULL
 DO NOT SCALE PRINT
 UNLESS OTHERWISE NOTED
 DIMENSIONS ARE IN INCHES
TOLERANCES ARE:
 ONE PLACE (.01)
 TWO PLACE (.001)
 THREE PLACE (.0001)
 ANGLES (.001)
 WEIGHT .135 LB MAX