

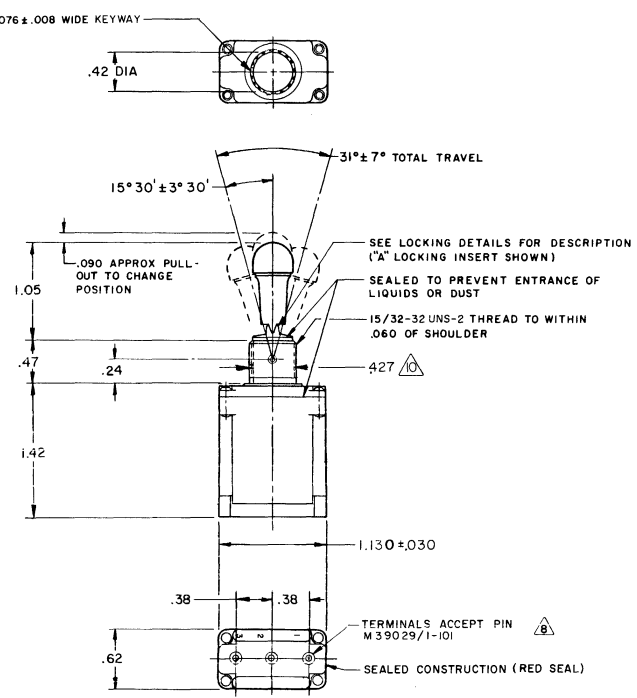
CATALOG LISTING
15 MICRO SWITCH CHART 2
 REVISIONS
 A 1092297
 16 FEB 88
 B 204887
 03 JAN 02
 C 14 MAR 73
 D 14 MAY 73
 DRAWN BY RASTER

MICRO SWITCH
 FREEPORT, ILLINOIS, U.S.A.
 A DIVISION OF HONEYWELL
 FED. MFG. CODE 91934

SWITCH - TOGGLE

CATALOG LISTING
101TL2 SERIES
CHART 2

THIS DRAWING COVERS A PROPRIETARY ITEM AND IS THE PROPERTY OF MICRO SWITCH, A DIVISION OF HONEYWELL. THIS DRAWING IS NOT TO BE COPIED OR USED WITHOUT THE APPROVAL OF MICRO SWITCH.



- NOTES**
- SWITCHES ARE CAPABLE OF WITHSTANDING A TEMPERATURE OF 160° F CONTINUOUSLY AT FULL RATED LOAD
 - CIRCUIT DESIGNATION, MICRO SWITCH CATALOG LISTING, DATE CODE AND "MS" NUMBER IDENTIFIED ON SIDE OF SWITCH
 - FURNISHED UNASSEMBLED
 - THESE SWITCHES ARE QUALIFIED UNDER MIL-S-3950
 - SUFFIX LETTER MUST BE ADDED FOR DESIRED TYPE TOGGLE LOCKING
 - SEE CHART FOR AVAILABLE LOCKING COMBINATIONS
 - CIRCUIT DIAGRAMS APPLY ONLY TO "ON" AND "MOM ON" POSITIONS
 - THE SEALING GROMMET SHALL SEAL ON A SMOOTH WIRE INSULATION OF .040 TO .083 DIAMETERS (16-20 GAGE)
 - UNUSED TERMINAL HOLES MAY BE SEALED WITH PLUGS M83723/28-20

SCALE FULL
 DO NOT SCALE PRINT
 UNLESS OTHERWISE NOTED
 DIMENSIONS ARE IN INCHES
TOLERANCES ARE
 ONE PLACE .01 ± .030
 TWO PLACE .003 ± .015
 THREE PLACE (.000) ± .008
 ANGLES 1
 WEIGHT

CAT. LIST.	AVAILABLE LOCKING COMBINATIONS FOR CONFIGURATION SEE LETTERED DETAILS	CIRCUIT WITH TOGGLE IN			CURRENT CAPACITY (AMPS)								MS NUMBER		
		EXTREME POSITION KEYWAY SIDE	CENTER	EXTREME POSITION OPPOSITE KEYWAY	RESISTIVE LOAD				LAMP LOAD					INDUCTIVE LOAD	
					30 DC VOLTS	115 AC VOLTS	115 DC	230 AC	30 VDC	115 VAC	30 VDC	115 VAC			
101TL2-1	A,B,D,E,F,G,H,I,K,L,M,N	ON	OFF	ON											27787-21
101TL2-2	D,F,G	OFF	NONE	ON											27787-22
101TL2-3	D,F,G	ON	NONE	ON											27787-23
101TL2-21	E,F,R,M,N	NONE	OFF	ON	75	.75	.5	75	6	5	3	75	7.5		27787-24
101TL2-31	E,F,K,M	NONE	ON	ON											27787-33
101TL2-4	F,G	MOM OFF	NONE	ON											27787-29
101TL2-5	E,F,K,L,M,N	MOM ON	OFF	ON											27787-31
101TL2-6	F	MOM ON	NONE	OFF											27787-30
101TL2-7	E,L,N	MOM ON	OFF	MOM ON											27787-27
101TL2-8	F	MOM ON	NONE	ON	75	.75	.5	75	6	4	2	75	7.5		27787-26
101TL2-51	E	NONE	ON	MOM ON											27787-32
101TL2-61	E	MOM ON	OFF	NONE											27787-28
															27787-25

