

11 TW1 SERIES  
CHART 2

ISSUE: 13  
DRAWING NUMBER: MS1617  
RELEASE NO.: RR-8855

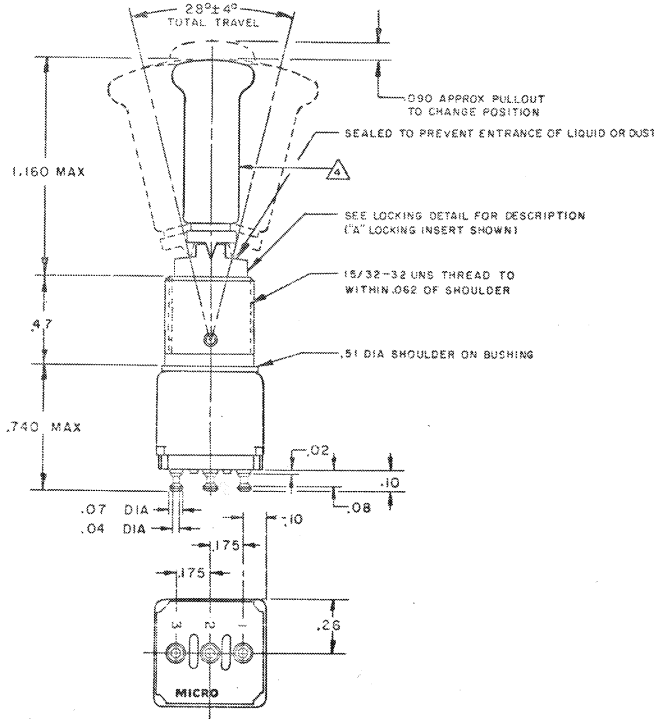
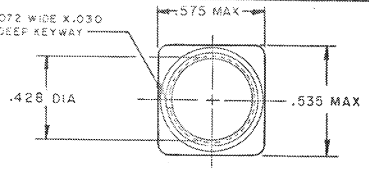
REVISIONS:  
A PR-4765  
B PR-8855  
C 0050555  
D 00567  
E 006152  
F 2061939  
G 2061939

DATE: 21 FEB 75  
DRAWN BY: Z A  
CHECKED BY: Z A

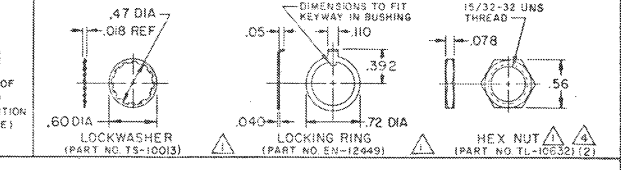
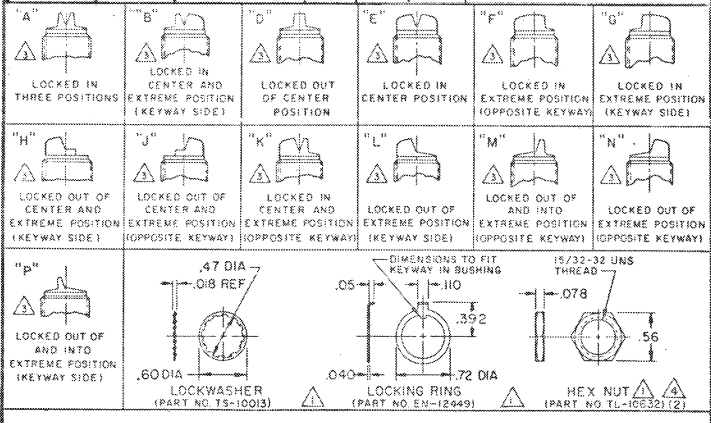
**MICRO SWITCH**  
FREEPORT ILLINOIS U.S.A.  
A DIVISION OF HONEYWELL  
REG. U.S. PAT. & TM. OFF.  
THIS DRAWING COVERS A PROPRIETARY ITEM AND IS THE PROPERTY OF MICRO SWITCH, A DIVISION OF HONEYWELL. THIS DRAWING IS NOT TO BE COPIED OR USED WITHOUT THE APPROVAL OF MICRO SWITCH.

**SWITCH-TOGGLE**

CATALOG LISTING  
**11 TW1 SERIES**  
**CHART 2**



MS NUMBER	CAT. LIST.	RECOMMENDED LOCKING COMBINATIONS FOR CONFIGURATION SEE LETTERED DETAILS	CIRCUIT TOGGLE IN			ELECTRICAL DATA
			KEYWAY SIDE (2-1)	CENTER	OPPOSITE KEYWAY (3-2)	
MS27720-21-1	HITWI-1	A,B,D,E,F,G,H,J,K,L,M,N,P	ON	OFF	ON	CODE L117 5A-125 VAC 
MS27720-22-1	HITWI-2	D,F,G	OFF	NONE	ON	
MS27720-23-1	HITWI-3	D,F,G	ON	NONE	ON	
MS27720-31-1	HITWI-5	E,F,K,L,M,N	MOM ON	OFF	ON	
MS27720-27-1	HITWI-7	E,L,N	MOM ON	OFF	MOM ON	
MS27720-26-1	HITWI-8	F	MOM ON	NONE	ON	



NOTE -  
 FURNISHED UNASSEMBLED  
 TERMINALS ARE PLATED FOR SOLDERING  
 SUFFIX MUST BE ADDED FOR DESIRED TYPE TOGGLE LOCKING  
 MATTE FINISH

SCALE: 2 TO 1  
DO NOT SCALE PRINT  
UNLESS OTHERWISE SPECIFIED  
DIMENSIONS ARE IN INCHES  
TOLERANCES ARE:  
ONE PLACE (.01) 1.030  
TWO PLACE (.001) 2.015  
THREE PLACE (.0005) 2.055  
ANGLES °  
WEIGHT .045 LB MAX