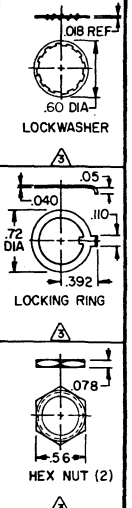
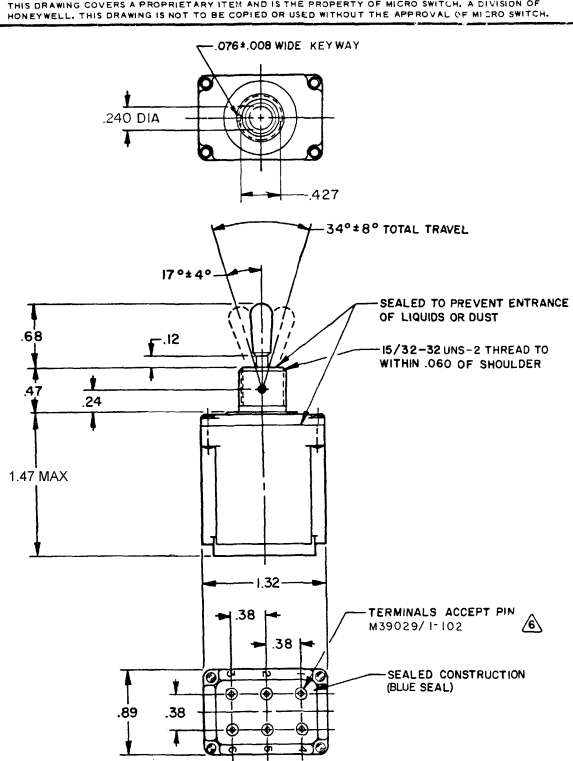


**MICRO SWITCH**  
 FREEPORT ILLINOIS U.S.A.  
 A DIVISION OF HONEYWELL  
 FED. MFG. CODE 91922

**SWITCH-TOGGLE**

CATALOG LISTING  
**102TL1 SERIES**  
**CHART 1**

MILITARY STANDARD NUMBER	CATALOG LISTING	CIRCUIT MADE WITH TOGGLE LEVER IN			CURRENT CAPACITY (AMPS)								
		KEYWAY SIDE (1-2,4-5)	CENTER (1-2,4-5)	OPPOSITE KEYWAY (2-3,5-6)	RESISTIVE LOAD		LAMP LOAD		INDUCTIVE LOAD				
					DC VOLTS	AC VOLTS	DC VOLTS	AC VOLTS	DC VOLTS	AC VOLTS	DC VOLTS	AC VOLTS	
MS27723-21	102TL1-1	ON	OFF	ON	20	.75	.5	15	6	7	4	15	15
MS27723-22	102TL1-2	OFF	NONE	ON									
MS27723-23	102TL1-3	ON	NONE	ON									
MS27723-24	102TL1-21	NONE	OFF	ON									
MS27723-33	102TL1-31	NONE	ON	ON									
MS27723-29	102TL1-4	MOM OFF	NONE	ON									
MS27723-31	102TL1-5	MOM ON	OFF	ON									
MS27723-30	(H)	MOM ON	NONE	OFF									
MS27723-27	102TL1-7	MOM ON	OFF	MOM ON	18	.75	.5	11	6	5	2	10	8
MS27723-26	102TL1-8	MOM ON	NONE	ON									
MS27723-32	102TL1-51	NONE	ON	MOM ON									
MS27723-28	102TL1-61	MOM ON	OFF	NONE									



- NOTES**
- SWITCHES ARE CAPABLE OF WITHSTANDING A TEMPERATURE OF 160°F CONTINUOUSLY AT FULL RATED LOAD
  - CIRCUIT DESIGNATION, MICRO SWITCH CATALOG LISTING, DATE CODE, AND "MS" NUMBER IDENTIFIED ON SIDE OF SWITCH FURNISHED UNASSEMBLED
  - THESE SWITCHES ARE QUALIFIED UNDER MIL-S-3950 APPLIES ONLY TO "ON" AND "MOMENTARY ON" POSITIONS THE SEALING GROMMET SHALL SEAL ON A SMOOTH WIRE INSULATION OF .068 TO .103 DIAMETERS (14-16 GAGE)
  - UNUSED TERMINAL HOLES MAY BE SEALED WITH PLUGS M83723/28-16

CATALOG LISTING  
**M 102TL1 SERIES CHART 1**  
 ISSUE 21  
 REVISIONS  
 A CO 36392  
 T M M 8 FEB 78  
 B CO-99070  
 C M 47 MAY 81  
 D CO 20498  
 E NOV 81  
 F 36074  
 G 27 NOV 84  
 H 2057478  
 I CO 25297  
 J A K 16 FEB 90  
 L CO 192999  
 M 7 JULY 99  
 N CO 98307  
 O 981  
 P 18 NOV 99  
 Q 201413  
 R CO 4 OCT 00  
 DRAWN T M M B FEB 78 CHECK C E B (2) APR 78 CHECK D F K APR 78 ENG  
 RASTER

SCALE FULL  
 DO NOT SCALE PRINT  
 UNLESS OTHERWISE NOTED  
 DIMENSIONS ARE IN INCHES  
**TOLERANCES ARE:**  
 ONE PLACE (.01) ±.000  
 TWO PLACE (.001) ±.001  
 THREE PLACE (.000) ±.0005  
 ANGLE ±.005  
 WEIGHT .135 LBS MAX