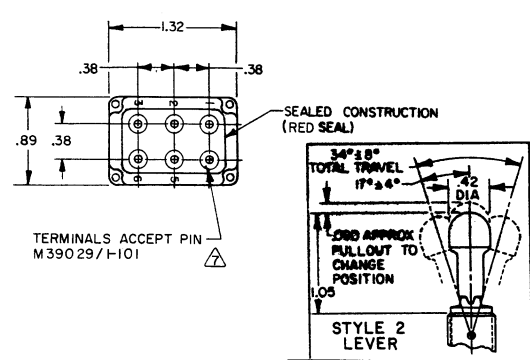
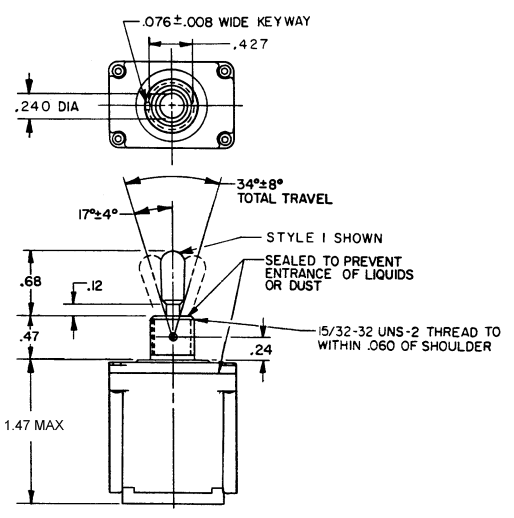


CATALOG LISTING
M 102TL2-50 SERIES CHART 1
 PAGE 1 OF 1
 RELEASE NO. CO-18465
 ISSUE 6
 REVISIONS
 A 10 JUN 84
 B 10 JUN 84
 C 092297
 D 16 FEB 98
 E 201413
 F 4 OCT 00
 J. J. O. 10 JUN 94
 RASTER DRAWN
 J. J. O. 10 JUN 94

MICRO SWITCH
a Honeywell Division
FED. MFG. CODE 81929

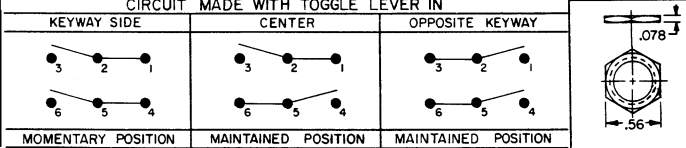
SWITCH-TOGGLE
 CATALOG LISTING
102TL2-50 SERIES
 CHART 1

THIS DRAWING COVERS A PROPRIETARY ITEM AND IS THE PROPERTY OF MICRO SWITCH, A DIVISION OF HONEYWELL. THIS DRAWING IS NOT TO BE COPIED OR USED WITHOUT THE APPROVAL OF MICRO SWITCH

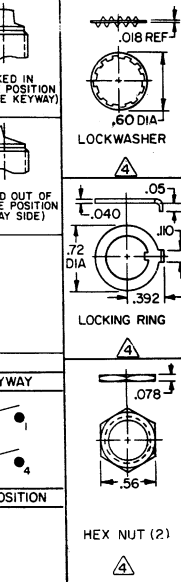


MILITARY PART NUMBER	CATALOG LISTING	AVAILABLE LOCKING COMBINATIONS FOR CONFIGURATION SEE LETTERING DETAILS	STYLE NUMBER	CURRENT CAPACITY (AMPS)								
				RESISTIVE LOAD DC VOLTS				LAMP LOAD AC VOLTS				
MS-27785-2	102TL2-50	NONE	1	28	125	250	125	250	28 VDC	125 VAC	28 VDC	125 VAC
MS-27788-2/6	102TL2-50/6	E, F, K, L, M, N	2	7.5	.75	.5	7.5	6	5	2	7.5	7.5

MS-27785-2	102TL2-50	NONE	1	28	125	250	125	250	28 VDC	125 VAC	28 VDC	125 VAC
"A" LOCKED IN THREE POSITIONS	"B" LOCKED IN CENTER AND EXTREME POSITION (KEYWAY SIDE)	"D" LOCKED OUT OF CENTER POSITION	"E" LOCKED IN CENTER POSITION	"F" LOCKED IN EXTREME POSITION (OPPOSITE KEYWAY)	"G" LOCKED IN EXTREME POSITION (KEYWAY SIDE)	"H" LOCKED OUT OF CENTER AND EXTREME POSITION (KEYWAY SIDE)	"J" LOCKED OUT OF CENTER AND EXTREME POSITION (OPPOSITE KEYWAY)	"K" LOCKED IN CENTER AND EXTREME POSITION (OPPOSITE KEYWAY)	"L" LOCKED OUT OF EXTREME POSITION (KEYWAY SIDE)	"M" LOCKED OUT OF AND INTO EXTREME POSITION (OPPOSITE KEYWAY)	"N" LOCKED OUT OF EXTREME POSITION (OPPOSITE KEYWAY)	"P" LOCKED OUT OF AND INTO EXTREME POSITION (KEYWAY SIDE)



- NOTES**
- SWITCHES ARE CAPABLE OF WITHSTANDING A TEMPERATURE OF 160°F CONTINUOUSLY AT FULL RATED LOAD
 - CIRCUIT DESIGNATION, MICRO SWITCH CATALOG LISTING, DATE CODE AND MS NUMBER IDENTIFIED ON SIDE OF SWITCH
 - KEYWAY SHOWN ON LEFT SIDE
 - FURNISHED UNASSEMBLED
 - THESE SWITCHES ARE QUALIFIED UNDER MIL-S-3950
 - SUFFIX LETTER MUST BE ADDED FOR DESIRED TYPE TOGGLE LOCKING. SEE CHART FOR AVAILABLE LOCKING COMBINATIONS
 - THE SEALING GROMMET SHALL SEAL ON A SMOOTH WIRE INSULATION OF .040 TO .083 DIAMETERS (16-20 GAGE)
 - UNUSED TERMINAL HOLES MAY BE SEALED WITH PLUGS M83723/28-20



THIRD ANGLE PROJECTION

SCALE FULL

DO NOT SCALE PRINT

UNLESS OTHERWISE SPECIFIED TOLERANCES ARE

ONE PLACE (.01) ± .030

TWO PLACE (.001) ± .015

THREE PLACE (.0001) ± .005

ANGLES ±

WEIGHT .135 LB MAX