

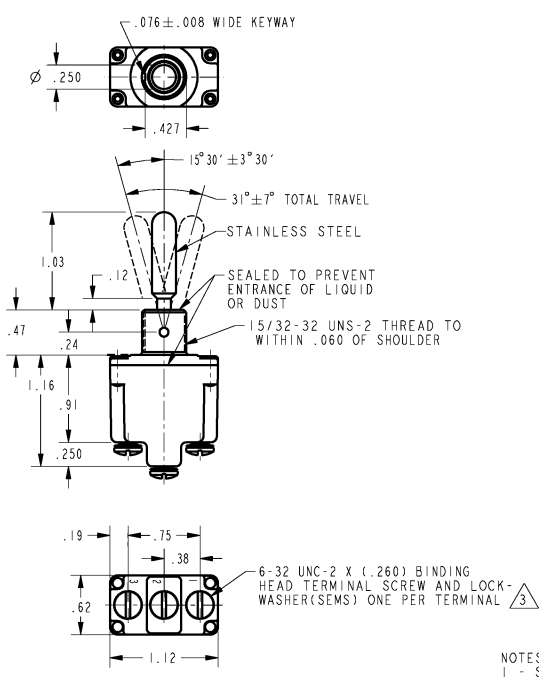
CATALOG LISTING
ITL889 SERIES CHART 1
 ISSUE 4
 REVISIONS
 A CO-95556
 B CO-94432
 C
 D
 E
 F
 G
 H
 I
 J
 K
 L
 M
 N
 O
 P
 Q
 R
 S
 T
 U
 V
 W
 X
 Y
 Z
 PTC/CAD 20
 DRAWN
 S A V 18 NOV 99 CHECK JAF 18 NOV 99 CHECK
 RELEASE NO. PR-23679 REPLACES

MICRO SWITCH
 a Honeywell Division
 FED. MFG. CODE 91929

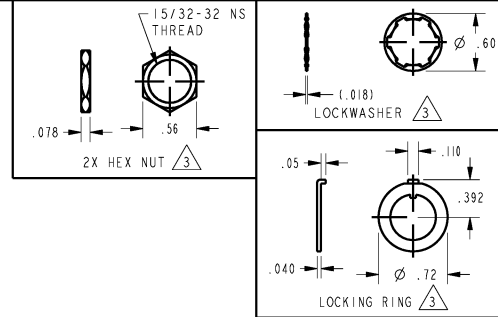
SWITCH - TOGGLE

CATALOG LISTING
ITL889 SERIES CHART 1

THIS DRAWING COVERS A PROPRIETARY ITEM AND IS THE PROPERTY OF MICRO SWITCH, A DIVISION OF HONEYWELL. THIS DRAWING IS NOT TO BE COPIED OR USED WITHOUT THE APPROVAL OF MICRO SWITCH



CATALOG LISTING	CIRCUIT MADE WITH TOGGLE LEVER IN			MILITARY RATING (AMPS)								
	KEYWAY SIDE (1 - 2)	CENTER (1 - 2)	OPPOSITE KEYWAY (2 - 3)	RESISTIVE LOAD				INDUCTIVE LOAD				
				DC VOLTS	LAC VOLTS	LAMP LOAD VDC	INDUCTIVE LOAD VDC	DC VOLTS	LAC VOLTS	LAMP LOAD VDC	INDUCTIVE LOAD VDC	
ITL889-1	ON	OFF	ON	20	75	.5	15	6	5	3	15	10
ITL889-2	OFF	NONE	ON	(REFER TO L191 FOR UL RATING)								
ITL889-3	ON	NONE	ON	(REFER TO L191 FOR UL RATING)								
ITL889-21	NONE	OFF	ON	(REFER TO L191 FOR UL RATING)								
ITL889-31	NONE	ON	ON	(REFER TO L191 FOR UL RATING)								
ITL889-4	MOM OFF	NONE	ON	(REFER TO L191 FOR UL RATING)								
ITL889-5	MOM ON	OFF	ON	(REFER TO L191 FOR UL RATING)								
ITL889-6	MOM ON	NONE	OFF	15	75	5	15	6	4	2	10	7
ITL889-7	MOM ON	OFF	MOM ON	(REFER TO L192 FOR UL RATING)								
ITL889-8	MOM ON	NONE	ON	(REFER TO L192 FOR UL RATING)								
ITL889-51	NONE	ON	MOM ON	(REFER TO L192 FOR UL RATING)								
ITL889-61	MOM ON	OFF	NONE	(REFER TO L192 FOR UL RATING)								



- NOTES
- SWITCHES ARE CAPABLE OF WITHSTANDING A TEMPERATURE OF 160° F CONTINUOUSLY AT FULL RATED LOAD
 - CIRCUIT DESIGNATION AND MICRO SWITCH CATALOG LISTING MARKED ON SIDE OF SWITCH
 - FURNISHED UNASSEMBLED
 - FOR TERMINAL COVER, SEE MICRO SWITCH CATALOG LISTING 5PA7
 - APPLIES ONLY TO "ON" AND "MOMENTARY ON" POSITIONS
 - GOLD PLATED CONTACTS

THIRD ANGLE PROJECTION

SCALE FULL

DO NOT SCALE PRINT

UNLESS OTHERWISE SPECIFIED TOLERANCES ARE

ONE PLACE (.03) ±.030

TWO PLACE (.003) ±.015

THREE PLACE (.0003) ±.005

ANGLES ±

WEIGHT .07 LBS APPROX

15A 125, 250 OR 277 VAC	CE	10A 125, 250, 277 VAC	CE
1/2 HP-125 VAC; 1 HP 250, 277 VAC		1/4 HP 125VAC; 1/2 HP 250, 277 VAC	
5A 125 VAC "L" CODE L191	RU	3A 125 VAC "L" CODE L192	RU

ANSI Y14.5M-1982 APPLIES