



MICRO SWITCH
 FREEPORT ILLINOIS U.S.A.
 A DIVISION OF HONEYWELL
 FED. MFG. CODE 81929

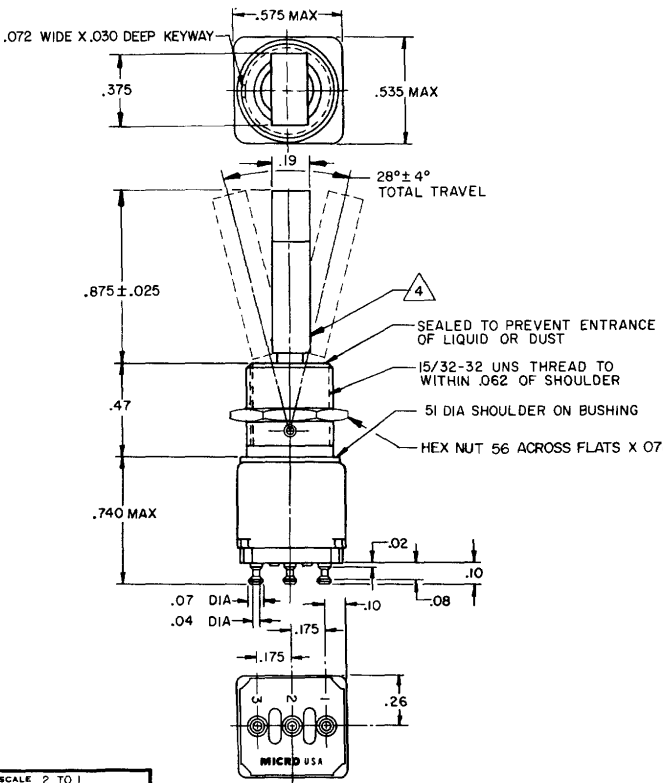
SWITCH-TOGGLE

CATALOG LISTING
11TW51 SERIES
CHART 1

THIS DRAWING COVERS A PROPRIETARY ITEM AND IS THE PROPERTY OF MICRO SWITCH. A DIVISION OF HONEYWELL. THIS DRAWING IS NOT TO BE COPIED OR USED WITHOUT THE APPROVAL OF MICRO SWITCH.

CATALOG LISTING	CIRCUIT MADE WITH TOGGLE LEVER IN			ELECTRICAL RATING
	KEYWAY SIDE 2-1	CENTER	OPPOSITE KEYWAY 2-3	
11TW51-1	ON	OFF	ON	-L117- 5A-125 VAC 
11TW51-2	OFF	NONE	ON	
11TW51-3	ON	NONE	ON	
11TW51-21	NONE	OFF	ON	
11TW51-31	NONE	ON	ON	-L117- 5A-125 VAC 
11TW51-4	MOM OFF	NONE	ON	
④ 11TW51-6	MOM ON	OFF	ON	
11TW51-7	MOM ON	OFF	MOM ON	
11TW51-8	MOM ON	NONE	ON	
11TW51-41	NONE	MOM OFF	ON	
11TW51-51	NONE	ON	MOM ON	
11TW51-61	MOM ON	OFF	NONE	

CATALOG LISTING
11TW51 SERIES CHART 1
 PAGE 1 OF 1
 REPLACES NO CO-78465
 ISSUE 3
 REVISIONS
 A 10/30/58
 B 0016338
 CHECK K.A.G. 123 JUN 94
 FORMTEK
 SCALE 2 TO 1
 DO NOT SCALE PRINT
 UNLESS OTHERWISE NOTED
 DIMENSIONS ARE IN INCHES
TOLERANCES ARE:
 ONE PLACE (.01) ±.030
 TWO PLACE (.001) ±.008
 THREE PLACE (.000) ±.005
 ANGLES .005
 WEIGHT .025 LB MAX



NOTES
 ① FURNISHED UNASSEMBLED
 ② - TERMINALS ARE PLATED FOR SOLDERING
 ③ MATTE FINISH
 ④ NON-GLOSSY, LUSTERLESS WHITE

